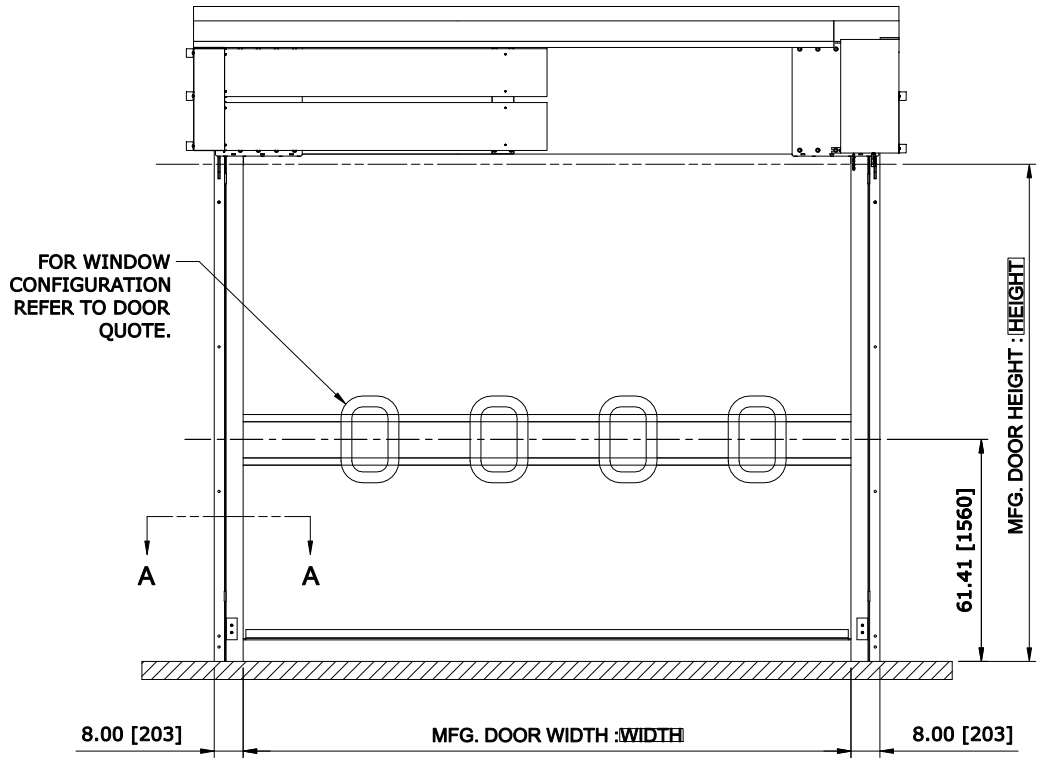


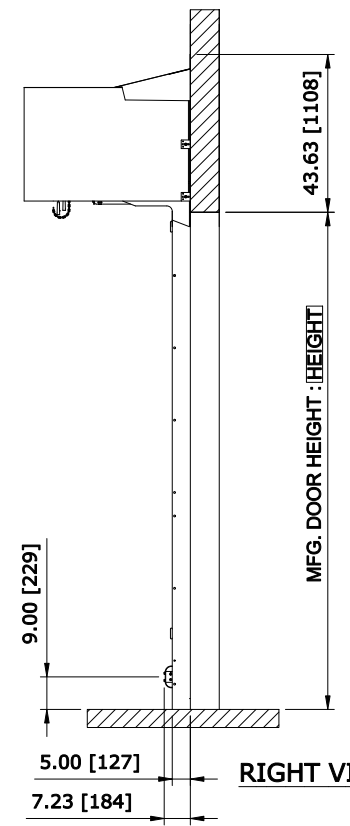
TOP VIEW



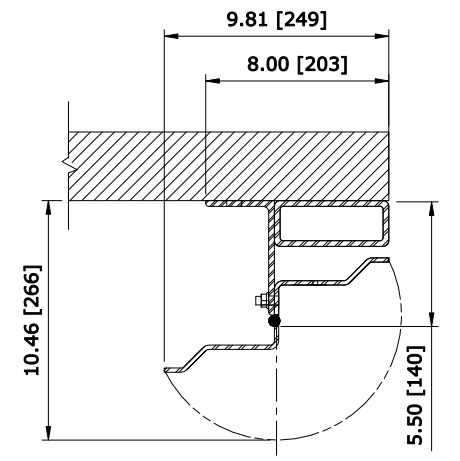
FRONT VIEW

33.5" HEADROOM BALANCED CHAIN DRIVE WITH COVER RH
CONTROL PANEL:
(CONTROLS)

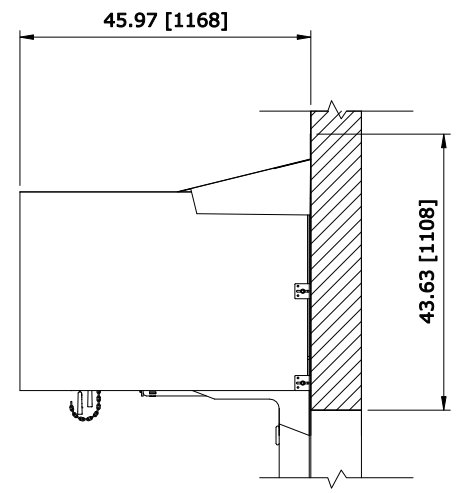
RECOMMENDED FOR MAINTENANCE.



RIGHT VIEW



SECTION A-A



DETAIL (NTS)

CUSTOMER:		SCALE = NOT TO SCALE	
LOCATION:		APPROVED BY:	APPROVED WITH CHANGES BY:
SALESMAN / DEALER:		DATE:	DATE:
DESCRIPTION: ULTRA TOUGH APPROVAL DRAWINGS			
DRAWING NO: 8300T0075		DESIGNER: J. Reitz	DATE: 1/27/2017
Rev	Change	Date	Name