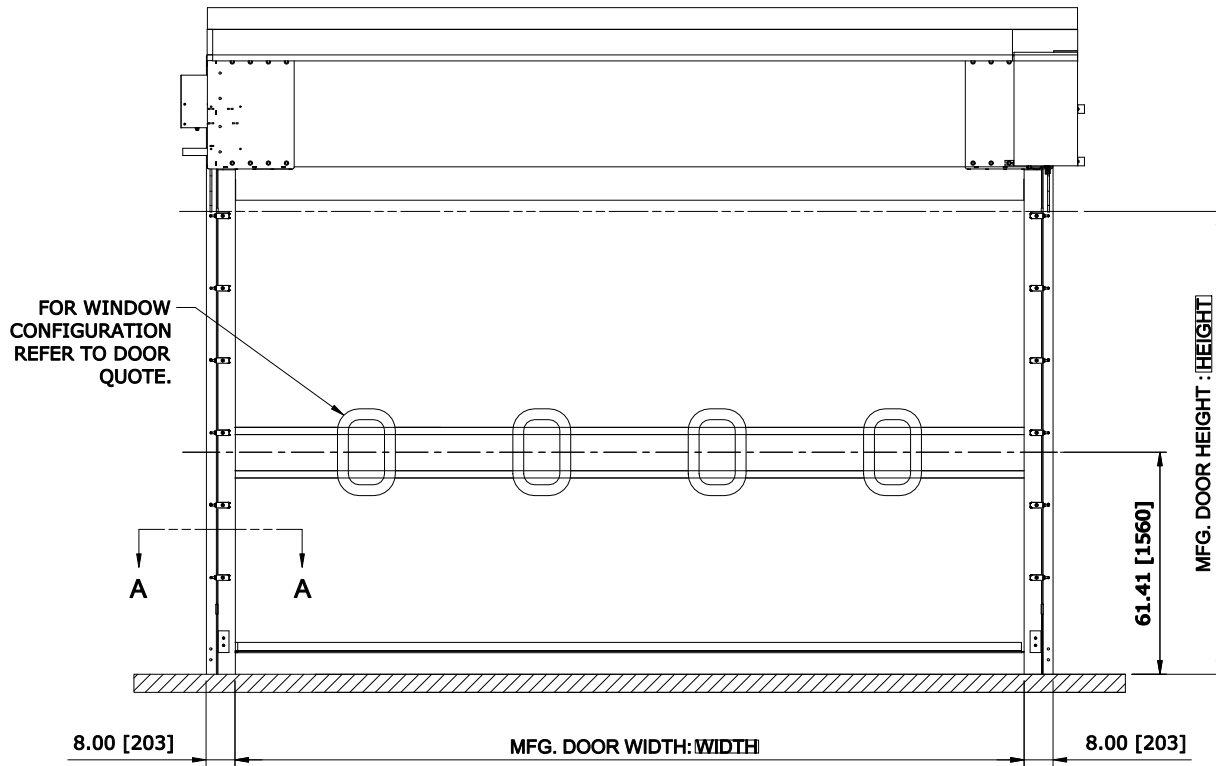
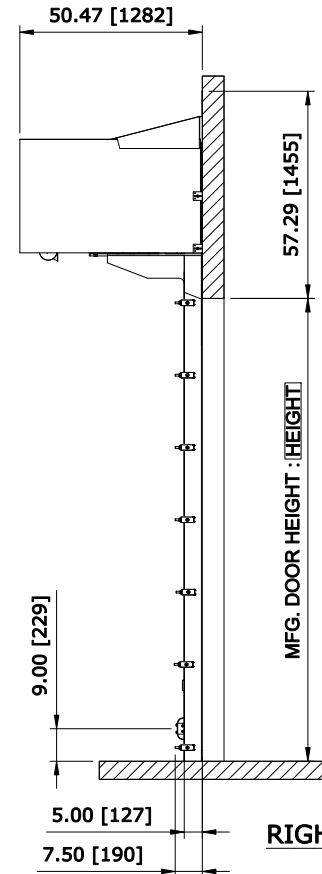


TOP VIEW

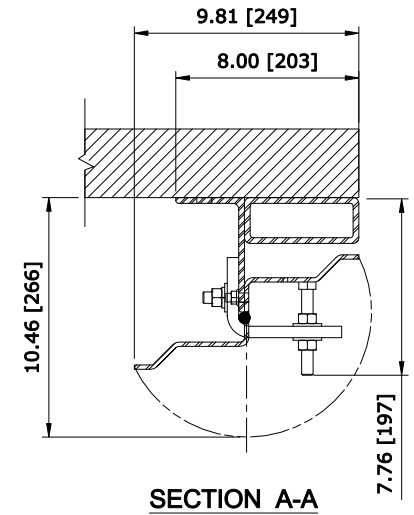


FRONT VIEW

RECOMMENDED FOR MAINTENANCE.



RIGHT VIEW



SECTION A-A

43" HEADROOM UNBALANCED CHAIN DRIVE WITH COVER RH

CONTROL PANEL:  
CONTROLS

CUSTOMER:		SCALE = NOT TO SCALE	
LOCATION:		APPROVED BY:	APPROVED WITH CHANGES BY:
SALESMAN / DEALER:		DATE:	DATE:
DESCRIPTION: ULTRA TOUGH APPROVAL DRAWINGS			
DRAWING NO: 8300T0079		DESIGNER: J. Reitz	DATE: 01/24/2017
Rev	Change	Date	Name