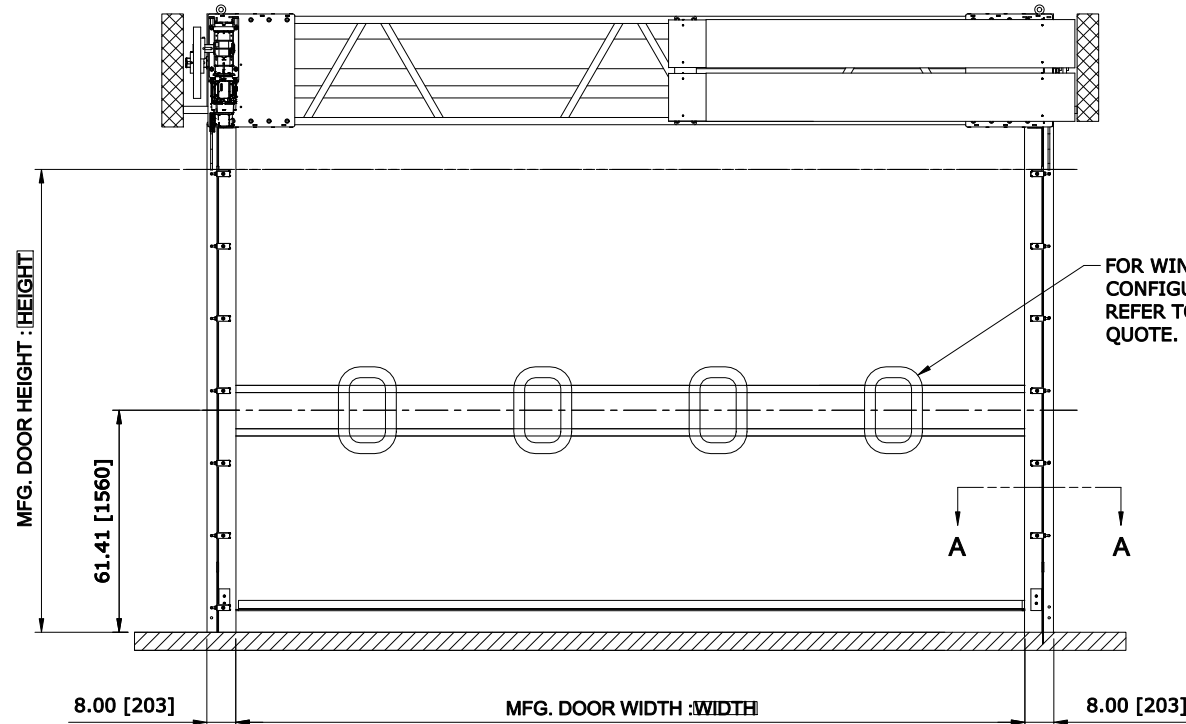
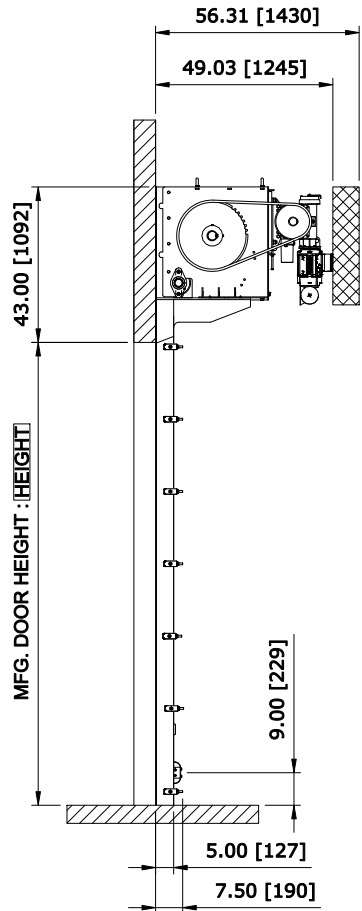
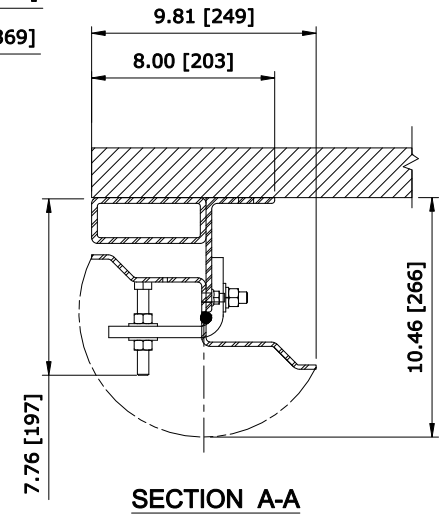
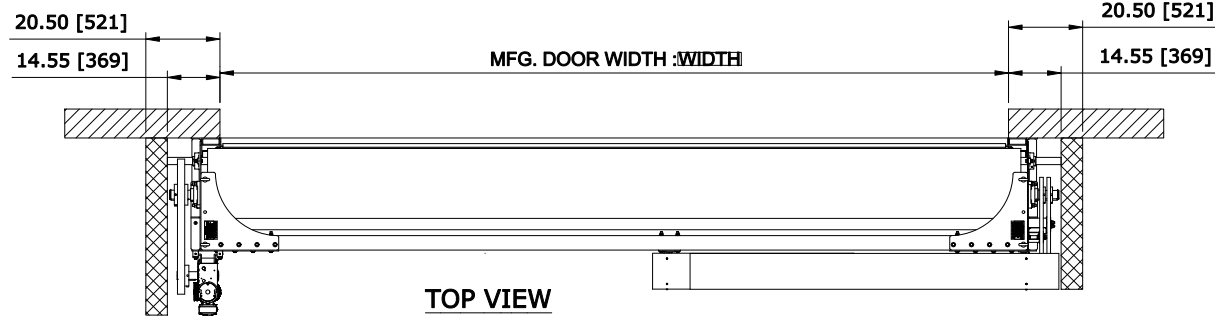


RECOMMENDED FOR MAINTENANCE.



43" HEADROOM BALANCED CHAIN DRIVE NO COVER LH

CONTROL PANEL:  
CONTROLS

CUSTOMER:		SCALE = NOT TO SCALE	
LOCATION:		APPROVED BY:	APPROVED WITH CHANGES BY:
SALESMAN / DEALER:		DATE:	DATE:
DESCRIPTION: <b>ULTRA TOUGH APPROVAL DRAWINGS</b>			
DRAWING NO: 8300T0080		DESIGNER: J. Fisher	DATE: 01/10/2017
Rev	Change	Date	Name