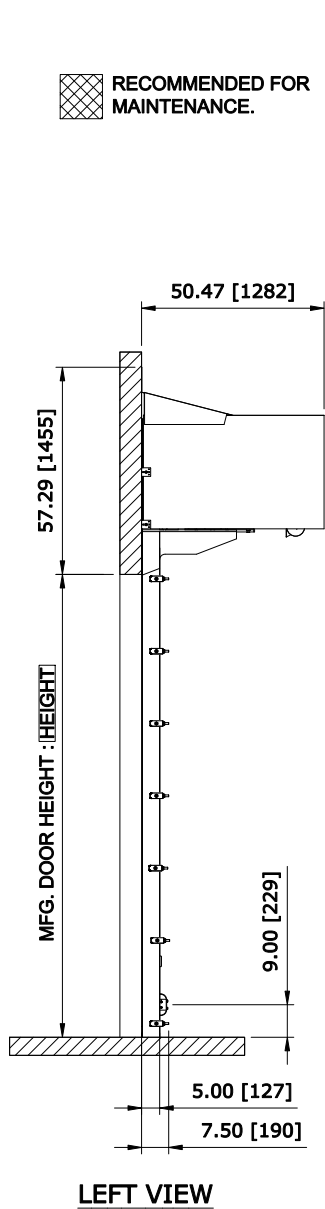
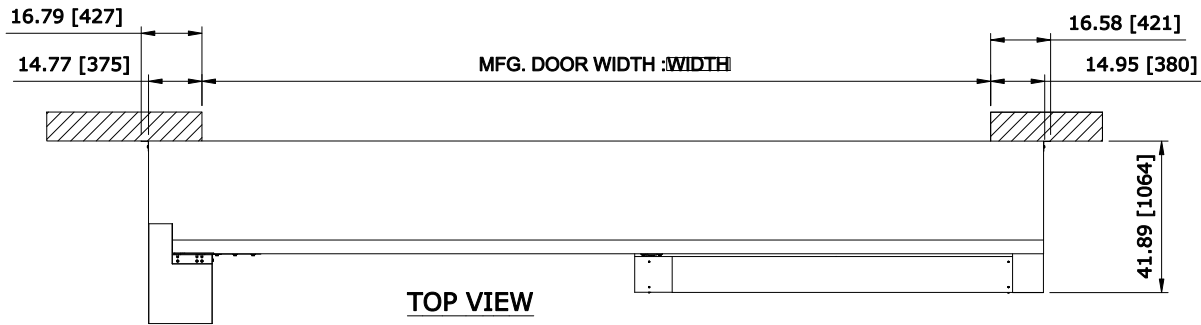


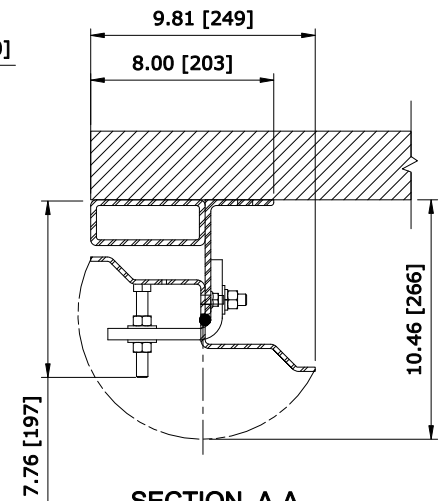
RECOMMENDED FOR MAINTENANCE.



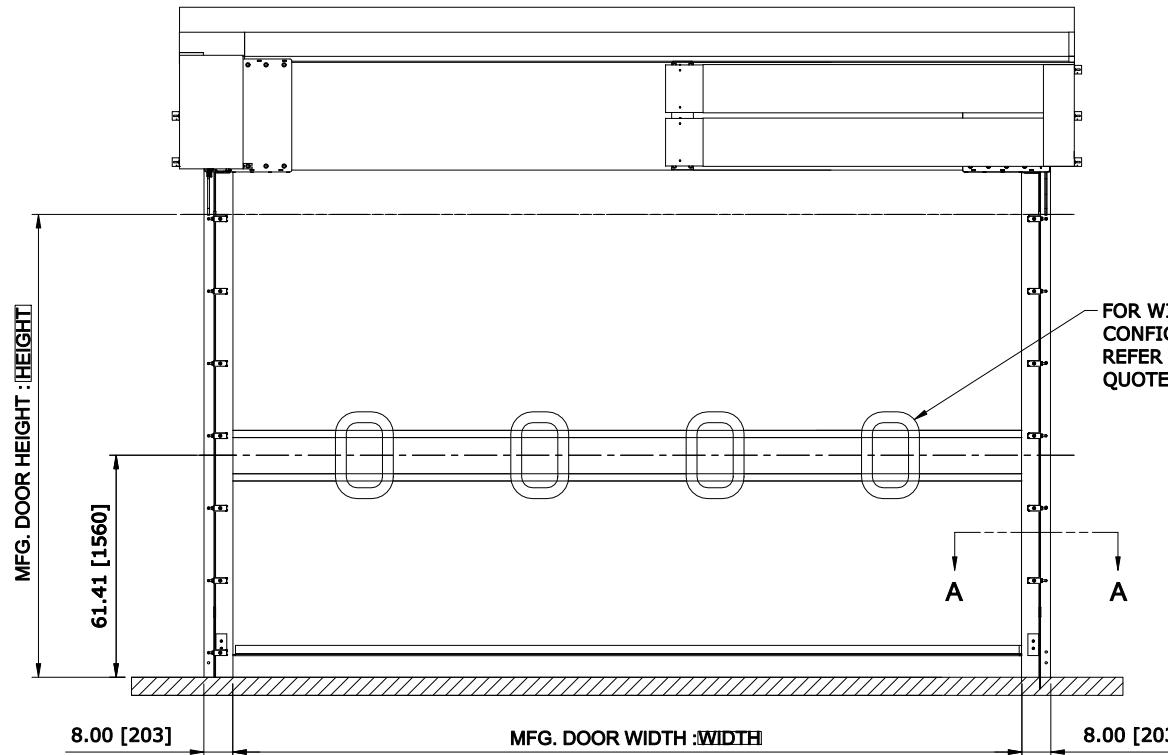
LEFT VIEW



TOP VIEW



SECTION A-A



FRONT VIEW

43" HEADROOM BALANCED CHAIN DRIVE WITH COVER LH

CONTROL PANEL:  
[CONTROLS]

CUSTOMER:		SCALE = NOT TO SCALE	
LOCATION:		APPROVED BY:	APPROVED WITH CHANGES BY:
SALESMAN / DEALER:		DATE:	DATE:
DESCRIPTION: ULTRA TOUGH APPROVAL DRAWINGS			
DRAWING NO:		DESIGNER:	DATE:
8300T0082		J. Reitz	01/24/2017
Rev	Change	Date	Name