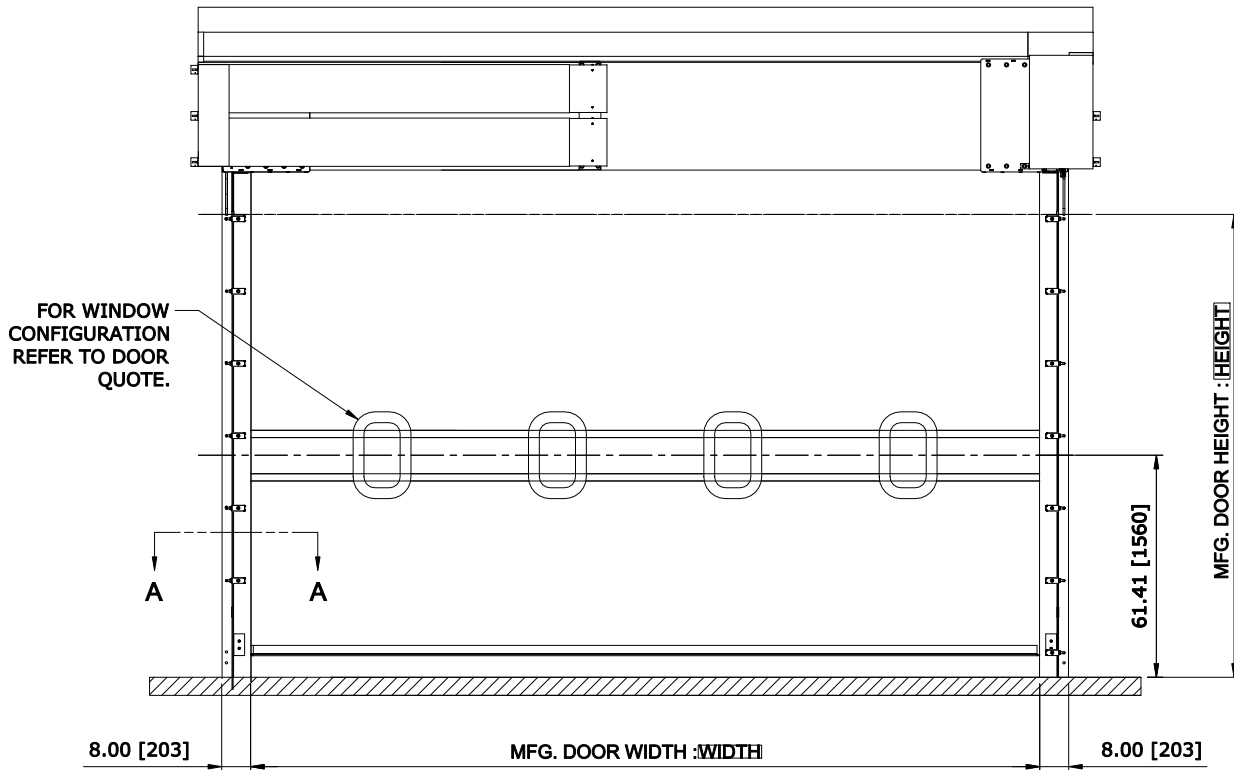
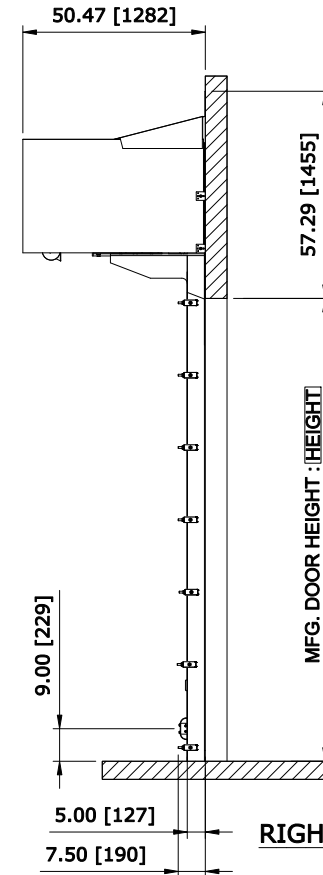


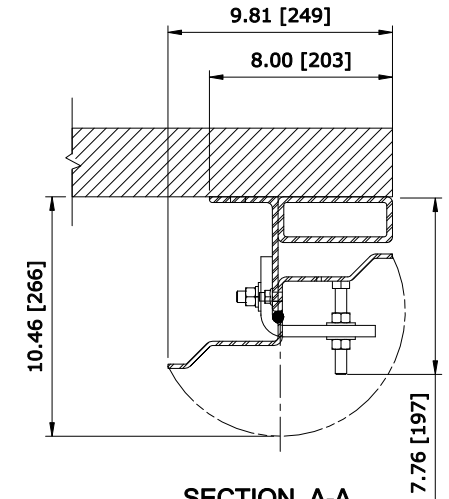
TOP VIEW



FRONT VIEW



RIGHT VIEW



SECTION A-A

 RECOMMENDED FOR MAINTENANCE.

43" HEADROOM BALANCED CHAIN DRIVE WITH COVER RH

CONTROL PANEL:
CONTROLS

CUSTOMER:		SCALE = NOT TO SCALE	
LOCATION:		APPROVED BY:	APPROVED WITH CHANGES BY:
SALESMAN / DEALER:		DATE:	DATE:
DESCRIPTION: ULTRA TOUGH APPROVAL DRAWINGS			
DRAWING NO: 8300T0083		DESIGNER: J. Reitz	DATE: 01/24/2017
Rev	Change	Date	Name