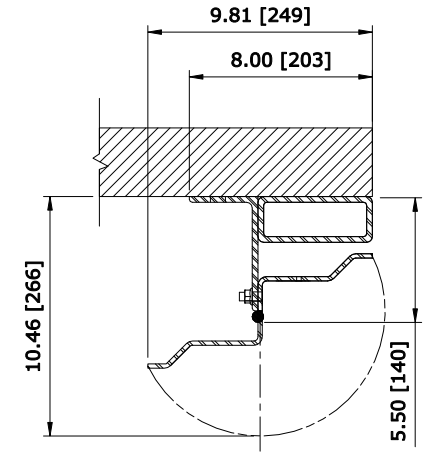
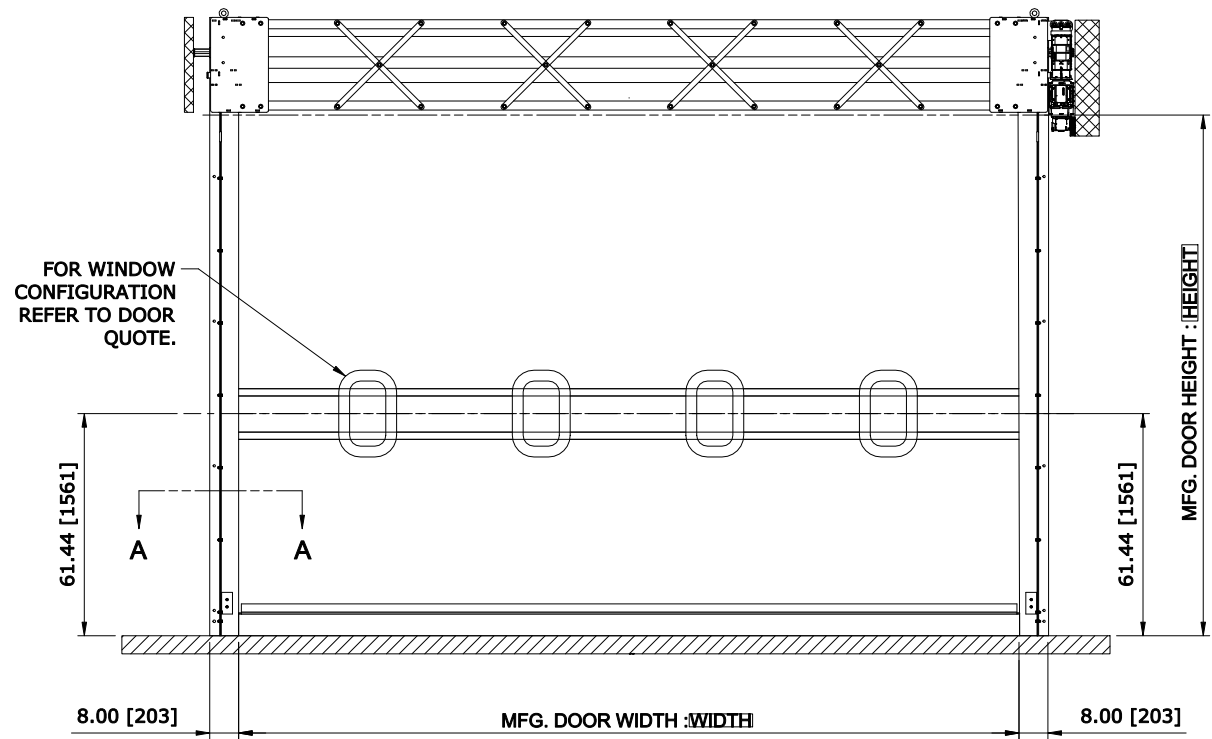


TOP VIEW

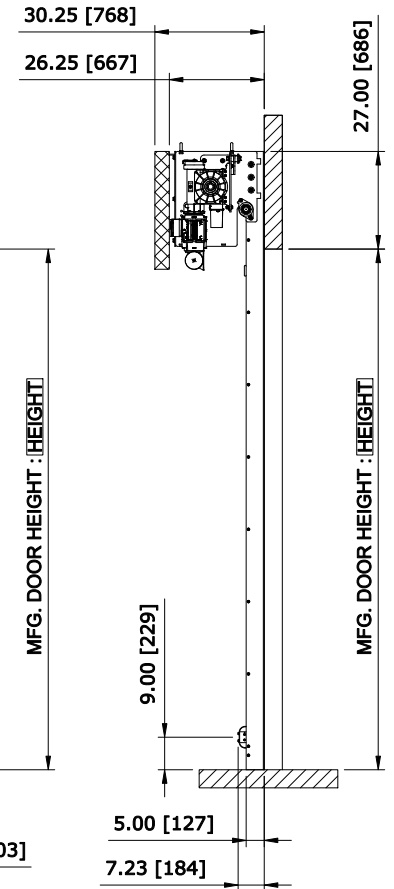
RECOMMENDED FOR MAINTENANCE. 



SECTION A-A



FRONT VIEW



RIGHT VIEW

ULTRA TOUGH 27" LOW HEADROOM RH

CONTROL PANEL:
CONTROLS

| | | | |
|--|--------|----------------------|---------------------------|
| CUSTOMER: | | SCALE = NOT TO SCALE | |
| LOCATION: | | APPROVED BY: | APPROVED WITH CHANGES BY: |
| SALESMAN / DEALER: | | DATE: | DATE: |
| DESCRIPTION: ULTRA TOUGH APPROVAL DRAWINGS | | | |
| DRAWING NO: | | DESIGNER: | DATE: |
| 8300T0084 | | J. Reitz | 1/22/2016 |
| Rev | Change | Date | Name |