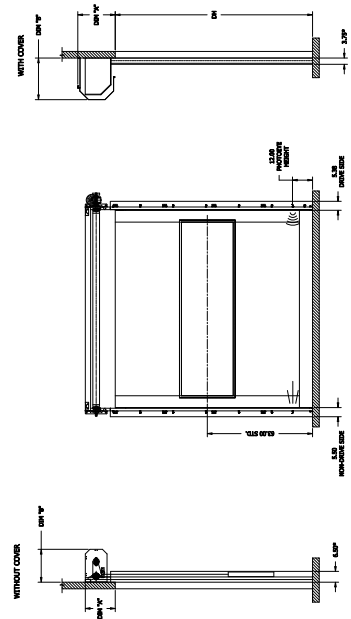
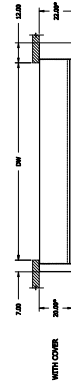
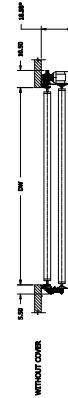


NOTE:
*FRAME OPTION AVAILABLE.
INCREASE DIMENSIONS BY 3.00"

VARIABLE DIMENSIONS			
OPTIONS	DIM A	DIM B	NOTES
LARGE COVER	23.00"	25.00"	DM > 15FT
STANDARD COVER	20.00"	20.00"	DM <= 15FT
NO COVER, STANDARD LITE	20.00"	20.00"	
NO COVER, REDUCED LITE	15.00"	20.00"	

CUSTOMER:		SCALE = NOT TO SCALE	
LOCATION:	APPROVED BY:	APPROVED WITH CHANGES BY:	
SALESMAN / DEALER:	DATE:	DATE:	
WEAVER:	DESCRIPTION: ASSA ABLOY HSR010P & ASSA ABLOY HSR200P		
Rev	Change	Date	Name
DRAWING NO: 030070101		DESIGNER:	DATE:
		T. GIBNEY	10/15/07



NOTE:
*FRAME OPTION AVAILABLE.
INCREASE DIMENSIONS BY 3.00"

VARIABLE DIMENSIONS			
OPTIONS	DIM A	DIM B	NOTES
LARGE COVER	23.00"	25.00"	DM > 15FT
STANDARD COVER	20.00"	20.00"	DM <= 15FT
NO COVER, STANDARD LITE	20.00"	20.00"	
NO COVER, REDUCED LITE	15.00"	20.00"	

CUSTOMER:		SCALE = NOT TO SCALE	
LOCATION:	APPROVED BY:	APPROVED WITH CHANGES BY:	
SALESMAN / DEALER:	DATE:	DATE:	
WEAVER:	DESCRIPTION: ASSA ABLOY HSR010P & ASSA ABLOY HSR200P		
Rev	Change	Date	Name
DRAWING NO: 030070101		DESIGNER:	DATE:
		T. GIBNEY	10/15/07