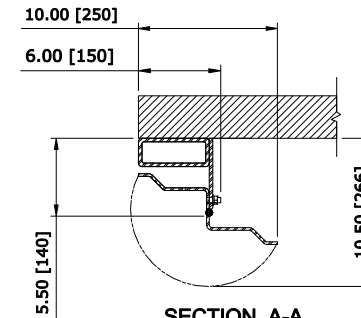
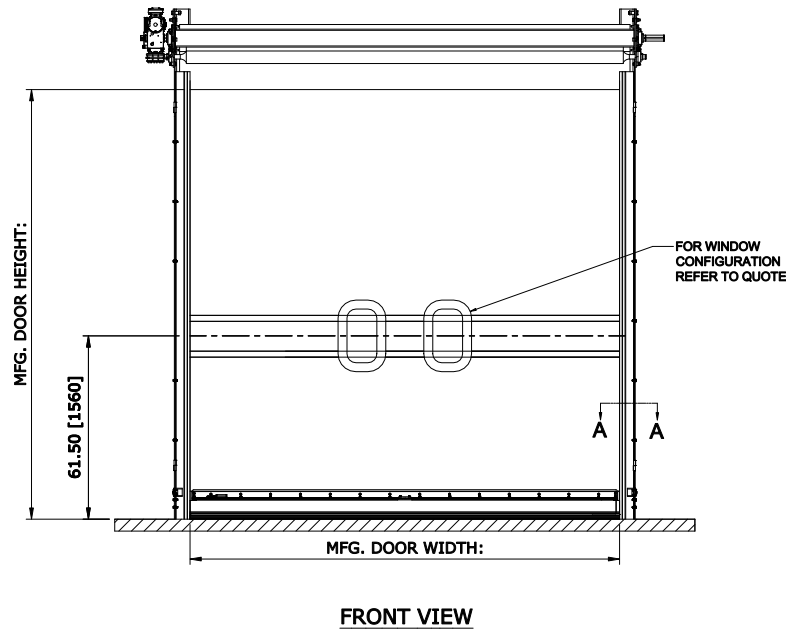
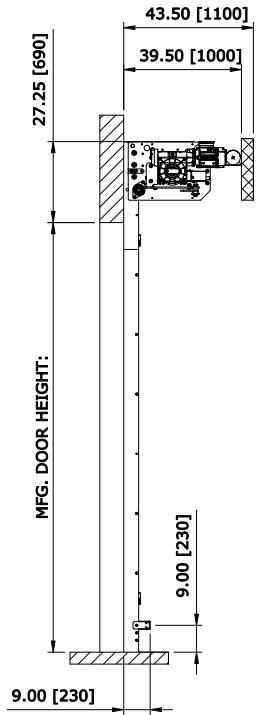
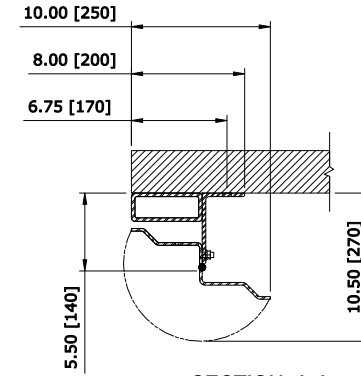
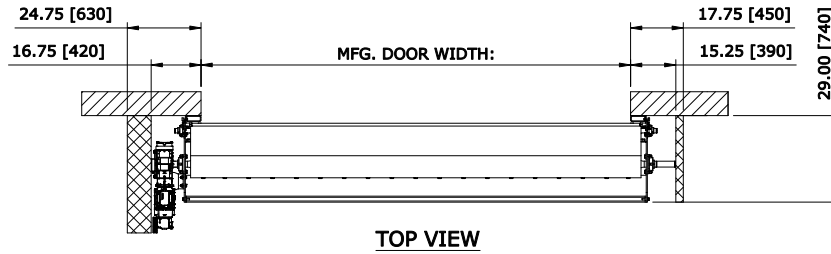


 RECOMMENDED FOR MAINTENANCE.



- DRIVE SIDE RIGHT LEFT
 - PANEL MATERIAL SBR BLACK MSHA BLACK
 EPDM GREY EPDM BLUE
 - PRESSURE OPTIONS NONE FRONT WINDBAR
 GUSSETS REAR WINDBAR
 - WINDOWS WINDOW (S) QTY. _____
 - SAFETY STRIPS NONE
 YELLOW STRIPES
 - DRIVE CONFIGURATION DIRECT DRIVE
 CHAIN DRIVE
 - HOODS NONE LOW DOOR HEIGHT
 FULL ROLL AND MOTOR
 - SIDE FRAME FLAT BAR ANGLE
-
- 208V 230V 480V 575V
 - ACS100 - STEEL ACS100 - STAINLESS STEEL
 - PHOTO EYES LIGHT CURTAINS
-
- MOTION DETECTOR PULL CORD
 - PUSH BUTTON FLOOR LOOP
 - _____
 - _____
-
- HORN RED
 - AMBER STROBE GREEN
 - TRAFFIC LIGHT LED SET

RR1500 TOUGH, LH DRIVE, NO COVERS
CONTROL PANEL:
CONTROLS

CUSTOMER:		APPROVED BY:	
LOCATION:		APPROVED WITH CHANGES BY:	
SALESMAN / DEALER:		DATE:	SCALE = NTS
		DESCRIPTION:	
APPROVAL DRAWING			
B	WINDOW QTY. CHANGED	2/11/2018	JCR
Rev	Change	Date	Name
DRAWING NO: 8300T0102		DESIGNER: T. LINDSEY	DATE: 3/21/18