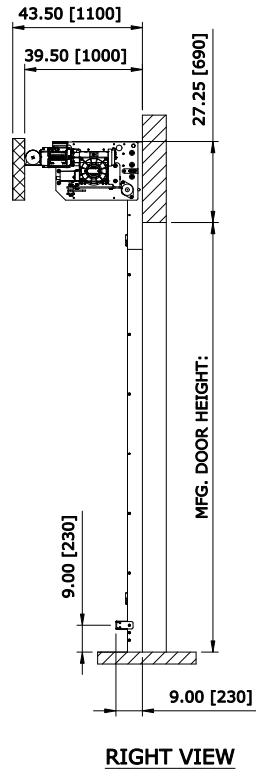
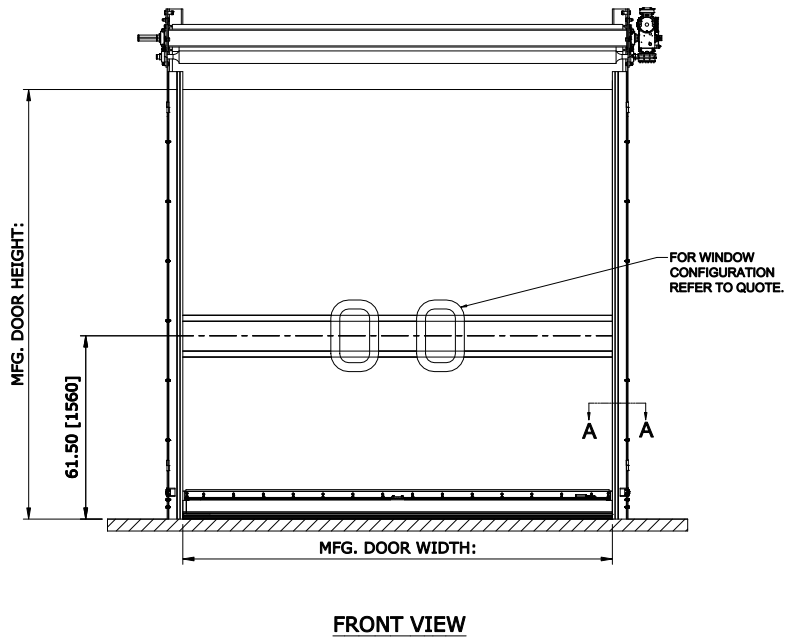
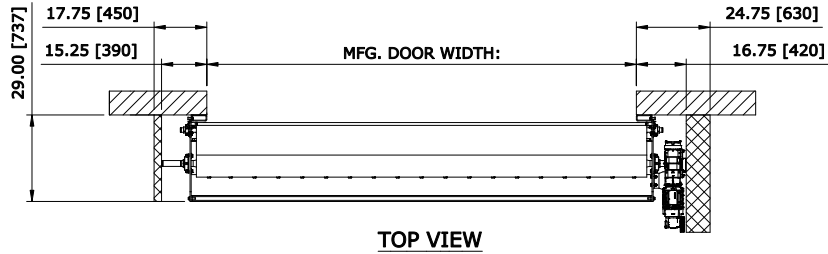
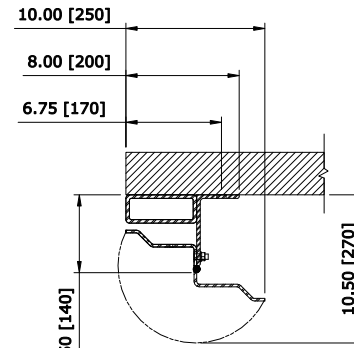


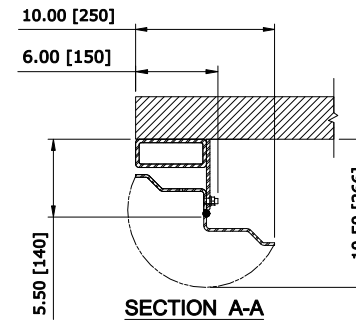
 RECOMMENDED FOR MAINTENANCE.



RR1500 TOUGH, RH DRIVE, NO COVERS
CONTROL PANEL:
CONTROLS



OPTIONAL ANGLE SIDE FRAME CONFIGURATION



STANDARD FLATBAR SIDE FRAME CONFIGURATION
(WELD IN INSTALLATION ONLY)

DRIVE SIDE	<input type="checkbox"/> RIGHT	<input type="checkbox"/> LEFT
PANEL MATERIAL	<input type="checkbox"/> SBR BLACK	<input type="checkbox"/> MSHA BLACK
	<input type="checkbox"/> EPDM GREY	<input type="checkbox"/> EPDM BLUE
PRESSURE OPTIONS	<input type="checkbox"/> NONE	<input type="checkbox"/> FRONT WINDBAR
	<input type="checkbox"/> GUSSETS	<input type="checkbox"/> REAR WINDBAR
WINDOWS	<input type="checkbox"/> WINDOW (S) QTY. _____	
SAFETY STRIPS	<input type="checkbox"/> NONE	<input type="checkbox"/> YELLOW STRIPES
DRIVE CONFIGURATION	<input type="checkbox"/> DIRECT DRIVE	<input type="checkbox"/> CHAIN DRIVE
HOODS	<input type="checkbox"/> NONE	<input type="checkbox"/> LOW DOOR HEIGHT
	<input type="checkbox"/> FULL ROLL AND MOTOR	
SIDE FRAME	<input type="checkbox"/> FLAT BAR	<input type="checkbox"/> ANGLE
<input type="checkbox"/> 208V <input type="checkbox"/> 230V <input type="checkbox"/> 480V <input type="checkbox"/> 575V		
<input type="checkbox"/> ACS100 - STEEL <input type="checkbox"/> ACS100 - STAINLESS STEEL		
<input type="checkbox"/> PHOTO EYES <input type="checkbox"/> LIGHT CURTAINS		
<input type="checkbox"/> MOTION DETECTOR	<input type="checkbox"/> PULL CORD	
<input type="checkbox"/> PUSH BUTTON	<input type="checkbox"/> FLOOR LOOP	
<input type="checkbox"/>		
<input type="checkbox"/>		
<input type="checkbox"/> HORN	<input type="checkbox"/> RED	
<input type="checkbox"/> AMBER STROBE	<input type="checkbox"/> GREEN	
<input type="checkbox"/> TRAFFIC LIGHT	<input type="checkbox"/> LED SET	

CUSTOMER:		APPROVED BY:	
LOCATION:		APPROVED WITH CHANGES BY:	
SALESMAN / DEALER:		DATE:	SCALE = NTS
		DESCRIPTION:	
APPROVAL DRAWING			
Rev	Change	Date	Name
B	WINDOW QTY. CHANGE	2/11/2019	JCR
DRAWING NO:		DESIGNER:	DATE:
8300T0103		T. LINDSEY	3/21/18