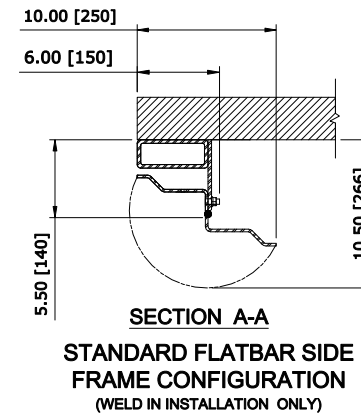
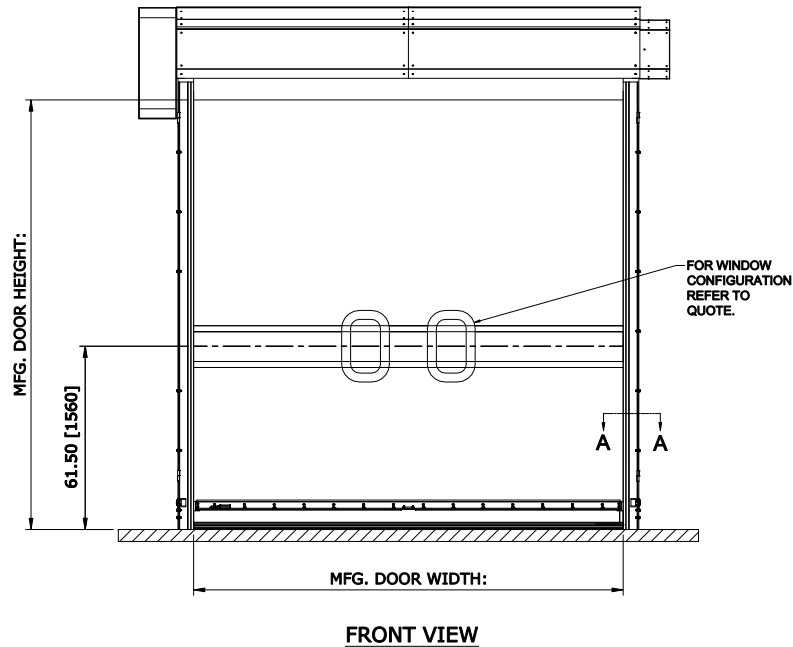
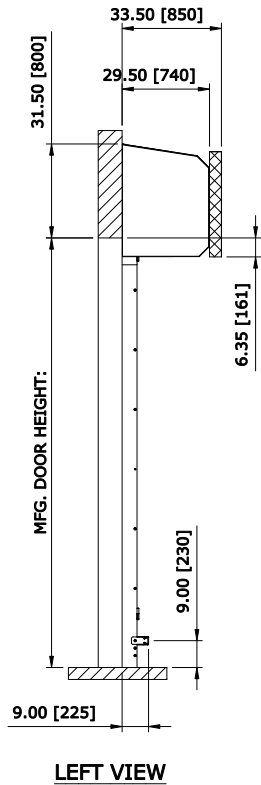
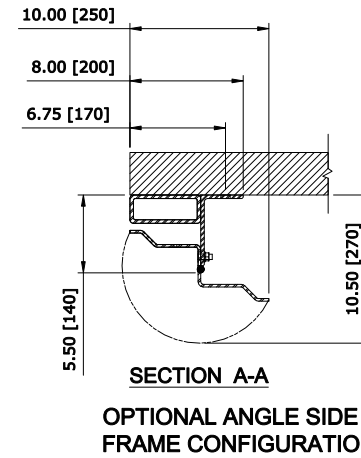
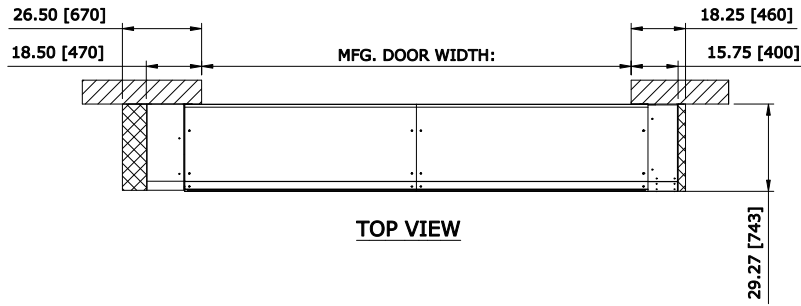


 RECOMMENDED FOR MAINTENANCE.



| | | |
|---------------------|--|--|
| DRIVE SIDE | <input type="checkbox"/> RIGHT | <input type="checkbox"/> LEFT |
| PANEL MATERIAL | <input type="checkbox"/> SBR BLACK | <input type="checkbox"/> MSHA BLACK |
| | <input type="checkbox"/> EPDM GREY | <input type="checkbox"/> EPDM BLUE |
| PRESSURE OPTIONS | <input type="checkbox"/> NONE | <input type="checkbox"/> FRONT WINDBAR |
| | <input type="checkbox"/> GUSSETS | <input type="checkbox"/> REAR WINDBAR |
| WINDOWS | <input type="checkbox"/> WINDOW (S) QTY. _____ | |
| SAFETY STRIPS | <input type="checkbox"/> NONE | <input type="checkbox"/> YELLOW STRIPES |
| DRIVE CONFIGURATION | <input type="checkbox"/> DIRECT DRIVE | <input type="checkbox"/> CHAIN DRIVE |
| HOODS | <input type="checkbox"/> NONE | <input type="checkbox"/> LOW DOOR HEIGHT |
| | <input type="checkbox"/> FULL ROLL AND MOTOR | |
| SIDE FRAME | <input type="checkbox"/> FLAT BAR | <input type="checkbox"/> ANGLE |

| | | | |
|-------------------------------|-------------------------------|-------------------------------|-------------------------------|
| <input type="checkbox"/> 208V | <input type="checkbox"/> 230V | <input type="checkbox"/> 480V | <input type="checkbox"/> 575V |
|-------------------------------|-------------------------------|-------------------------------|-------------------------------|

| | |
|---|---|
| <input type="checkbox"/> ACS100 - STEEL | <input type="checkbox"/> ACS100 - STAINLESS STEEL |
|---|---|

| | |
|-------------------------------------|---|
| <input type="checkbox"/> PHOTO EYES | <input type="checkbox"/> LIGHT CURTAINS |
|-------------------------------------|---|

| | |
|--|-------------------------------------|
| <input type="checkbox"/> MOTION DETECTOR | <input type="checkbox"/> PULL CORD |
| <input type="checkbox"/> PUSH BUTTON | <input type="checkbox"/> FLOOR LOOP |
| <input type="checkbox"/> _____ | |
| <input type="checkbox"/> _____ | |

| | |
|--|----------------------------------|
| <input type="checkbox"/> HORN | <input type="checkbox"/> RED |
| <input type="checkbox"/> AMBER STROBE | <input type="checkbox"/> GREEN |
| <input type="checkbox"/> TRAFFIC LIGHT | <input type="checkbox"/> LED SET |

RR1500 TOUGH, LH VERTICAL DRIVE, WITH COVERS
CONTROL PANEL:
CONTROLS

| | | | |
|--|--------------------|---------------------------|--------------------|
| CUSTOMER: | | APPROVED BY: | |
| LOCATION: | | APPROVED WITH CHANGES BY: | |
| SALESMAN / DEALER: | | DATE: | SCALE = NTS |
| DESCRIPTION: | | | |
| APPROVAL DRAWING | | | |
| B | WINDOW QTY. CHANGE | 2/11/2019 | JCR |
| Rev | Change | Date | Name |
| DRAWING NO: 8300T0104 - LHVC | | DESIGNER: S. BOOHER | DATE: 4/19/2021 |