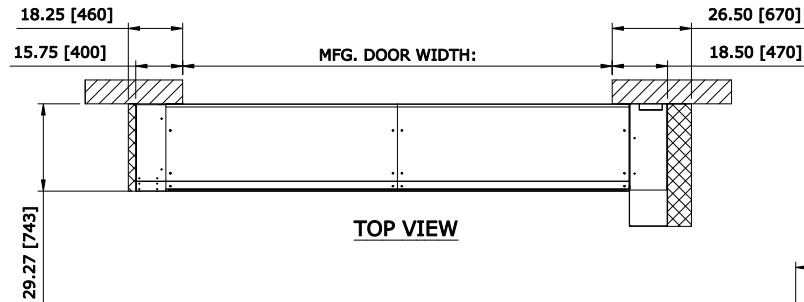
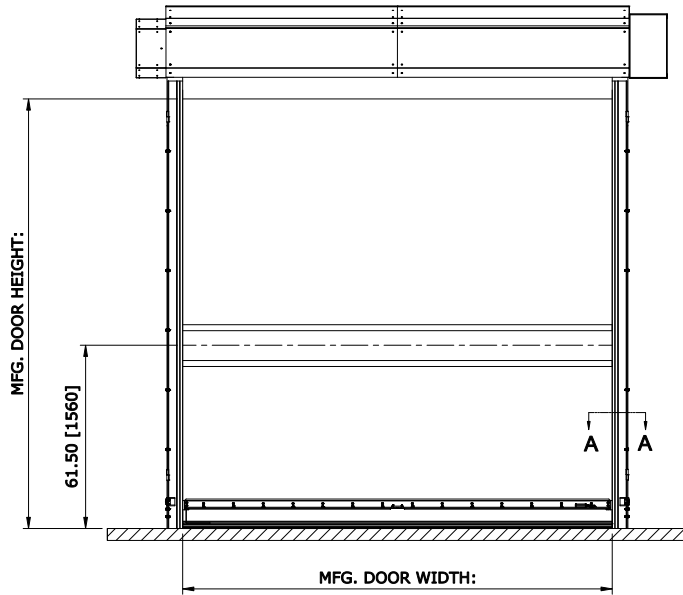


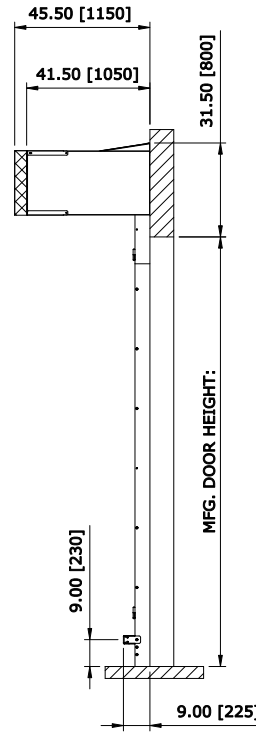
 RECOMMENDED FOR MAINTENANCE.



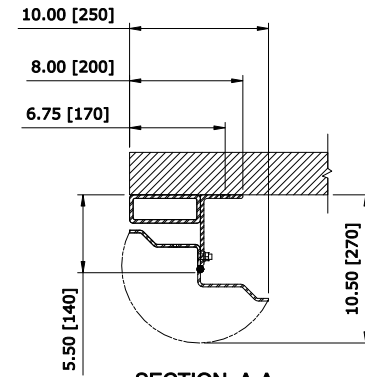
TOP VIEW



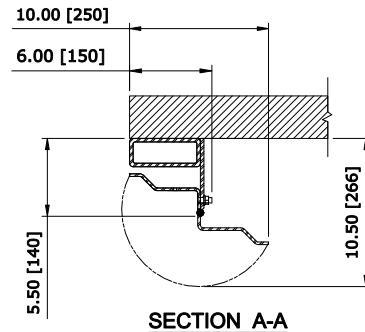
FRONT VIEW



RIGHT VIEW



SECTION A-A
OPTIONAL ANGLE SIDE
FRAME CONFIGURATION



SECTION A-A
STANDARD FLATBAR SIDE
FRAME CONFIGURATION
(WELD IN INSTALLATION ONLY)

DRIVE SIDE	<input type="checkbox"/> RIGHT	<input type="checkbox"/> LEFT
PANEL MATERIAL	<input type="checkbox"/> SBR BLACK	<input type="checkbox"/> MSHA BLACK
	<input type="checkbox"/> EPDM GREY	<input type="checkbox"/> EPDM BLUE
PRESSURE OPTIONS	<input type="checkbox"/> NONE	<input type="checkbox"/> FRONT WINDBAR
	<input type="checkbox"/> GUSSETS	<input type="checkbox"/> REAR WINDBAR
WINDOWS	<input type="checkbox"/> WINDOW (S) QTY. _____	
SAFETY STRIPS	<input type="checkbox"/> NONE	
	<input type="checkbox"/> YELLOW STRIPES	
DRIVE CONFIGURATION	<input type="checkbox"/> DIRECT DRIVE	
	<input type="checkbox"/> CHAIN DRIVE	
HOODS	<input type="checkbox"/> NONE	<input type="checkbox"/> LOW DOOR HEIGHT
	<input type="checkbox"/> FULL ROLL AND MOTOR	
SIDE FRAME	<input type="checkbox"/> FLAT BAR	<input type="checkbox"/> ANGLE

<input type="checkbox"/> 208V	<input type="checkbox"/> 230V	<input type="checkbox"/> 480V	<input type="checkbox"/> 575V
-------------------------------	-------------------------------	-------------------------------	-------------------------------

<input type="checkbox"/> ACS100 - STEEL	<input type="checkbox"/> ACS100 - STAINLESS STEEL
---	---

<input type="checkbox"/> PHOTO EYES	<input type="checkbox"/> LIGHT CURTAINS
-------------------------------------	---

<input type="checkbox"/> MOTION DETECTOR	<input type="checkbox"/> PULL CORD
<input type="checkbox"/> PUSH BUTTON	<input type="checkbox"/> FLOOR LOOP
<input type="checkbox"/>	_____
<input type="checkbox"/>	_____

<input type="checkbox"/> HORN	<input type="checkbox"/> RED
<input type="checkbox"/> AMBER STROBE	<input type="checkbox"/> GREEN
<input type="checkbox"/> TRAFFIC LIGHT	<input type="checkbox"/> LED SET

VR2000S, RH DRIVE, WITH COVERS
CONTROL PANEL:
CONTROLS

CUSTOMER:		APPROVED BY:	
LOCATION:		APPROVED WITH CHANGES BY:	
SALESMAN / DEALER:		DATE:	SCALE = NTS
DESCRIPTION:		APPROVAL DRAWING	
B	WINDOW QTY. CHANGE	2/11/2019	JCR
Rev	Change	Date	Name
DRAWING NO:		DESIGNER:	DATE:
8300T0105		T. LINDSEY	3/21/18