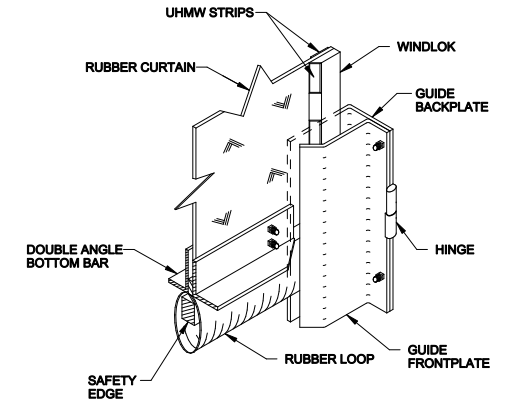
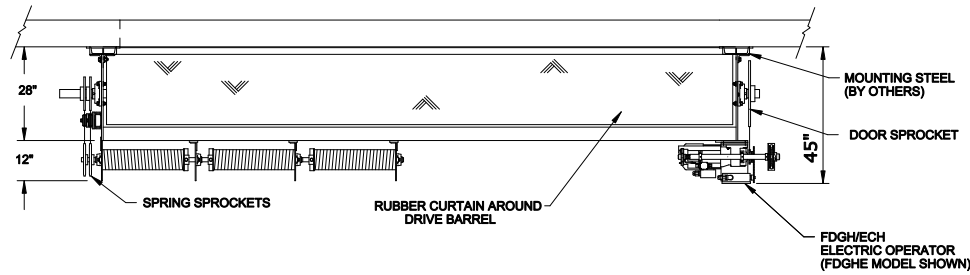
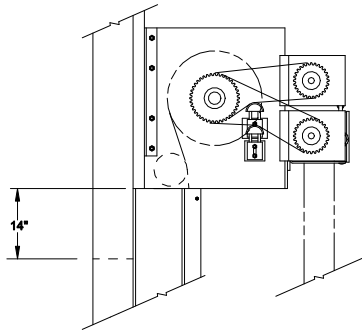
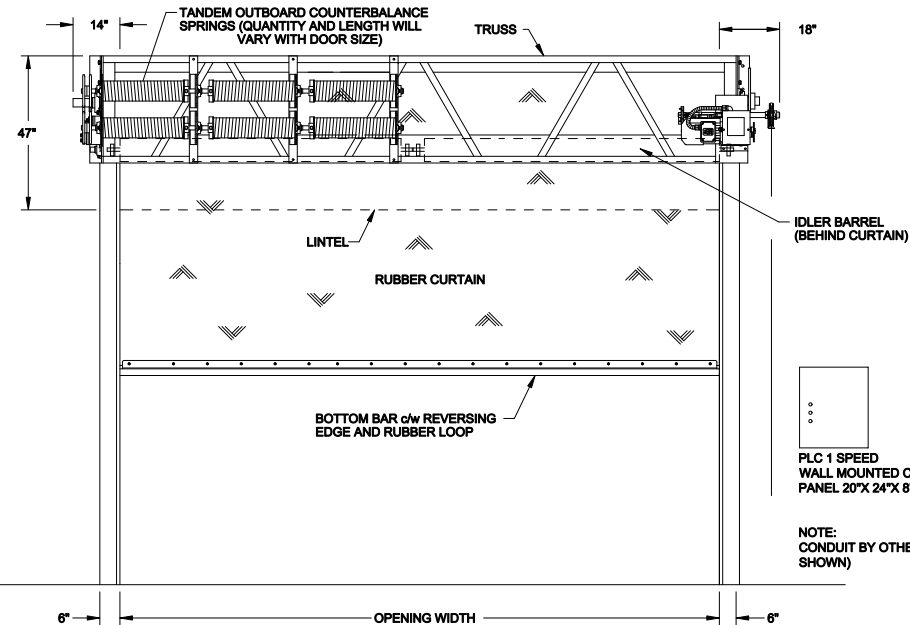
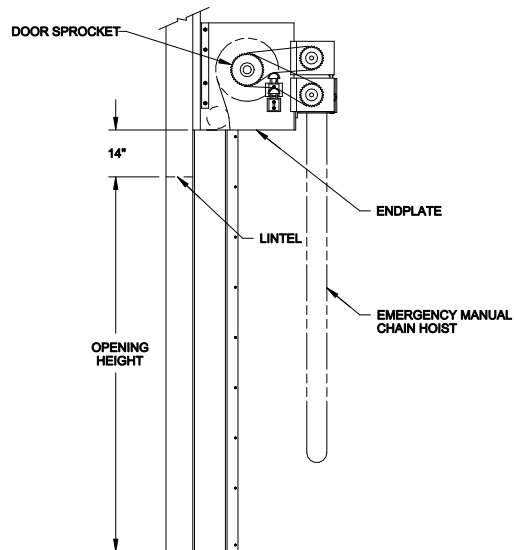


**NOTES:**

1. ALL DIMENSIONS SHOWN ARE FOR ACTUAL DOOR COMPONENTS. SEE FRAMING DETAIL DRAWING #8300T0136 FOR INSTALLATION CLEARANCES AND MOUNTING STEEL REQUIREMENT.
2. DOOR SPEED = 9" PER SECOND
3. DRAWN RIGHT HAND, LEFT HAND OPPOSITE.



**PATENTED "WINDLOK" FEATURE**



PLC 1 SPEED WALL MOUNTED CONTROL PANEL 20"X 24"X 8"

NOTE: CONDUIT BY OTHERS (NOT SHOWN)

- DRIVE SIDE  RIGHT  LEFT
- PANEL MATERIAL  SBR BLACK  MSHA BLACK  
 EPDM GREY  EPDM BLUE
- WINDOWS  WINDOW (S) QTY. \_\_\_\_\_
- SAFETY STRIPS  NONE  
 YELLOW STRIPES
- HOODS  NONE  
 FULL ROLL AND MOTOR

- 208V  230V  480V  575V

- MOTION DETECTOR  PULL CORD
- PUSH BUTTON  FLOOR LOOP
- \_\_\_\_\_
- \_\_\_\_\_

- HORN  RED
- AMBER STROBE  GREEN
- TRAFFIC LIGHT  LED SET

CUSTOMER:		APPROVED BY:	
LOCATION:		APPROVED WITH CHANGES BY:	
SALESMAN / DEALER:		DATE:	SCALE = NTS
DESCRIPTION:			
<b>ULTRA BIG DW &gt;= 40'-0" APPROVAL</b>			
DRAWING NO:		DESIGNER:	DATE:
8300T0135		JT FISHER	01/15/2019

Rev	Change	Date	Name
A	DIMENSIONS ADDED	9/24/19	JCR