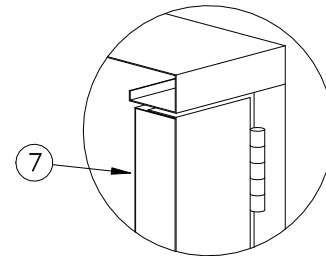
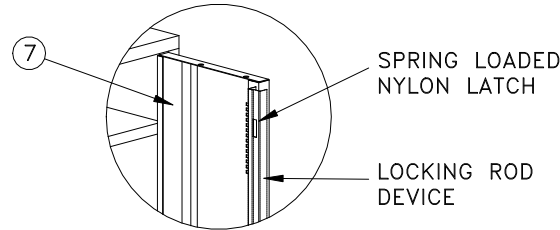
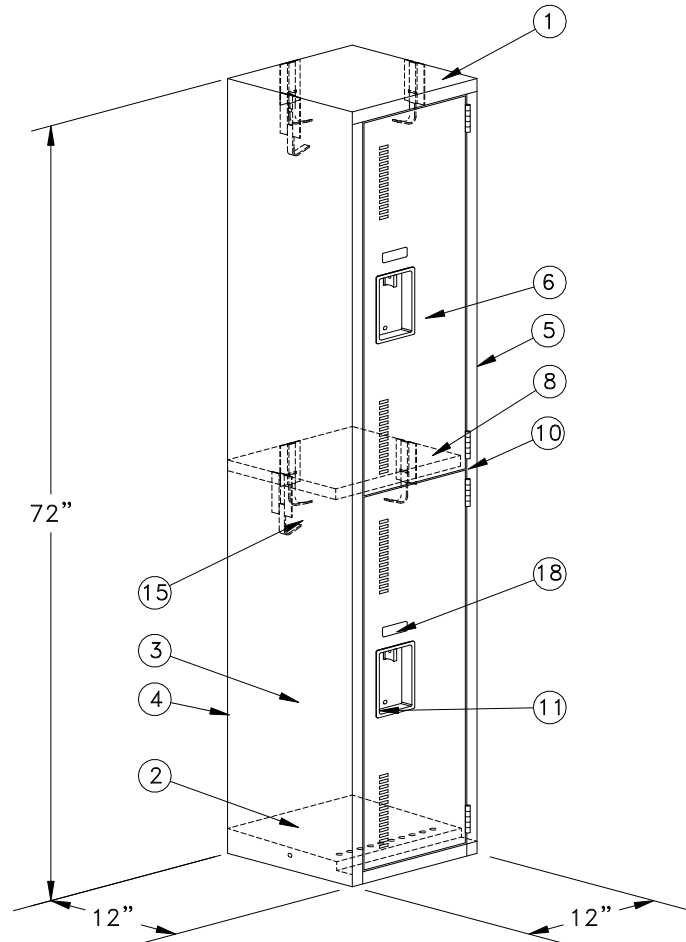


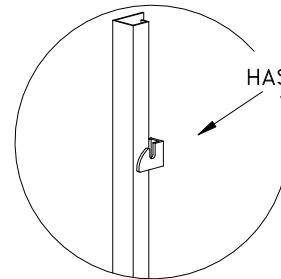
SINGLE UNIT DOUBLE UNIT TRIPLE UNIT QUAD UNIT
 E3-2-1212721 E3-2-1212722 E3-2-1212723 E3-2-1212724



HINGE SIDE TOP
CORNER DETAIL

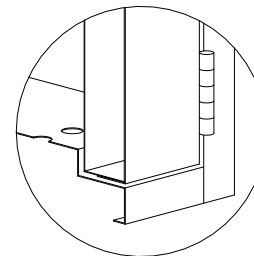


SPRING LOADED
NYLON LATCH
LOCKING ROD
DEVICE



HASP

3 POINT LATCH
WITH MOVING PART



HINGE SIDE LOWER
CORNER DETAIL

TECHNICAL SPECIFICATIONS

| ITEM | DESCRIPTION | MATERIALS | NOTES |
|------|--------------------------|-----------|------------|
| 1 | TOP | 22 GA CRS | |
| 2 | PERFORATED BOTTOM | 22 GA CBS | GALVANNEAL |
| 3 | SIDES | 24 GA CRS | |
| 4 | BACK | 24 GA CRS | |
| 5 | FRAME | 16 GA CRS | |
| 6 | PERFORATED DOOR | 16 GA CRS | |
| 7 | DOOR STIFFENER | 18 GA CRS | |
| 8 | SHELF | 22 GA CRS | |
| 9 | HASP | 12 GA CRS | |
| 10 | 2-1/2" HINGES 5 KNUCKLES | 14 GA CRS | |
| 11 | HANDLE | BLACK | |
| 12 | NYLON LATCH | | |

OPTIONS

| ITEM | DESCRIPTION | MATERIALS | REQUIRED |
|------|-----------------------------|----------------|----------|
| 13 | | | |
| 14 | SLOPING TOP | 20 GA CRS | |
| 15 | HOOK | FLAT 1/2 X 1/8 | |
| 16 | COAT BAR | SATIN COAT | |
| 17 | RECESSED BASE (BLACK COLOR) | 18 GA CRS | |
| 18 | NUMBER PLATES ___ TO ___ | PLASTIC | |

PAINT SPECIFICATIONS

STEEL TREATED AGAINST RUST
BAKED ENAMEL FINISH

COLOR < BODY: _____
DOOR: _____

CLIENT _____

SIGNATURE _____

PROJECT _____

QUOTATION #: _____

HISTORY

| REV. | DATE | DRAFT BY | APPROVED BY |
|------|----------|----------|-------------|
| 1 | 04/28/15 | M.Ross | |
| 2 | | | |
| 3 | | | |

TITLE SERIES E3 DOUBLE TIER LOCKER
12 X 12 X 72



6265 Notre-Dame E.
Montreal, H1N 2E9
tel.: 514-593-4548
e-mail: info@ALBPLUS.CA