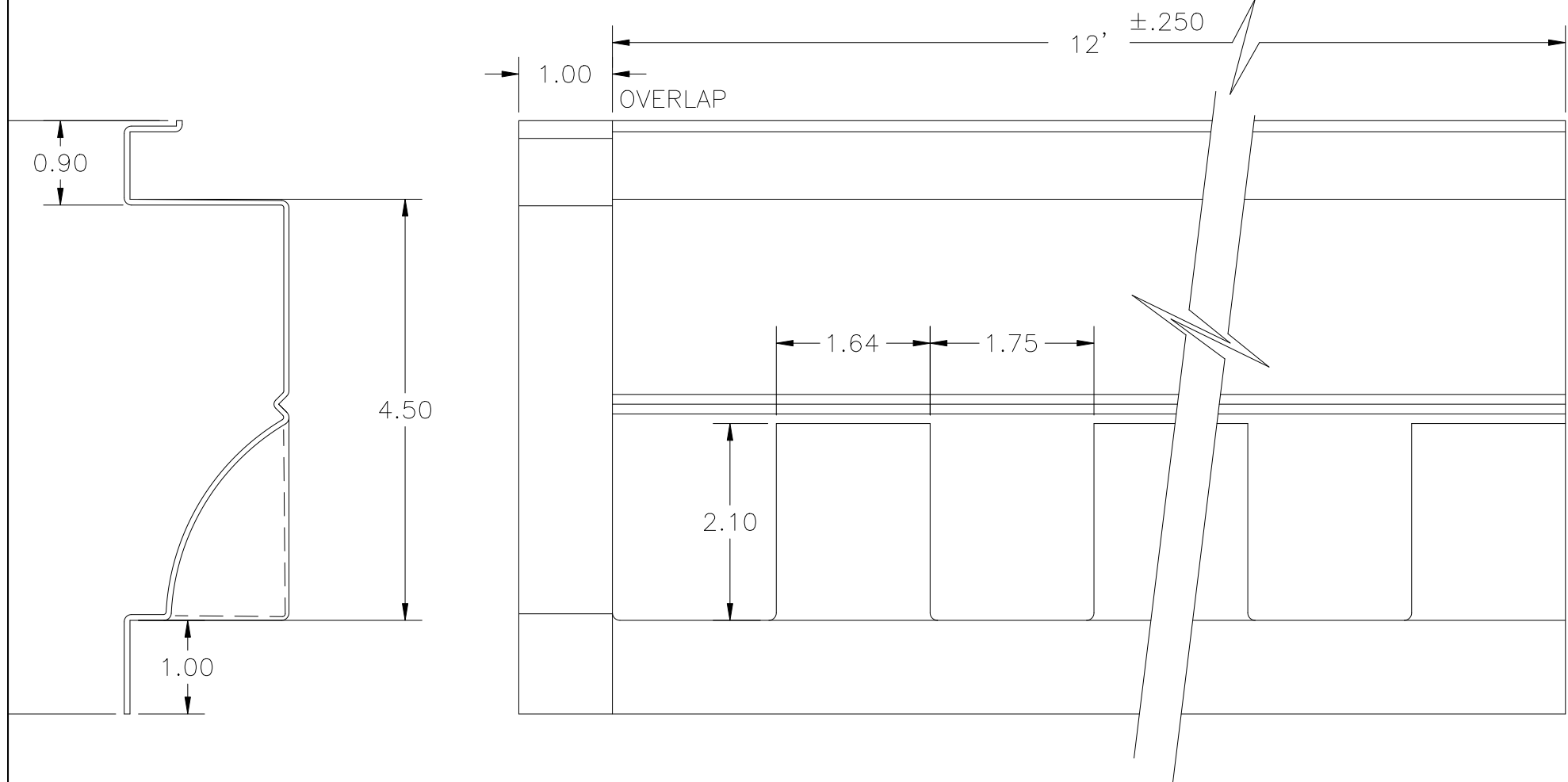


ITEM CODE: DENTILMD45
FINISH: SMOOTH PVC
GAUGE: .050
LENGTH: 12'



DENTIL MOLDING END BLOCK 4-1/2"