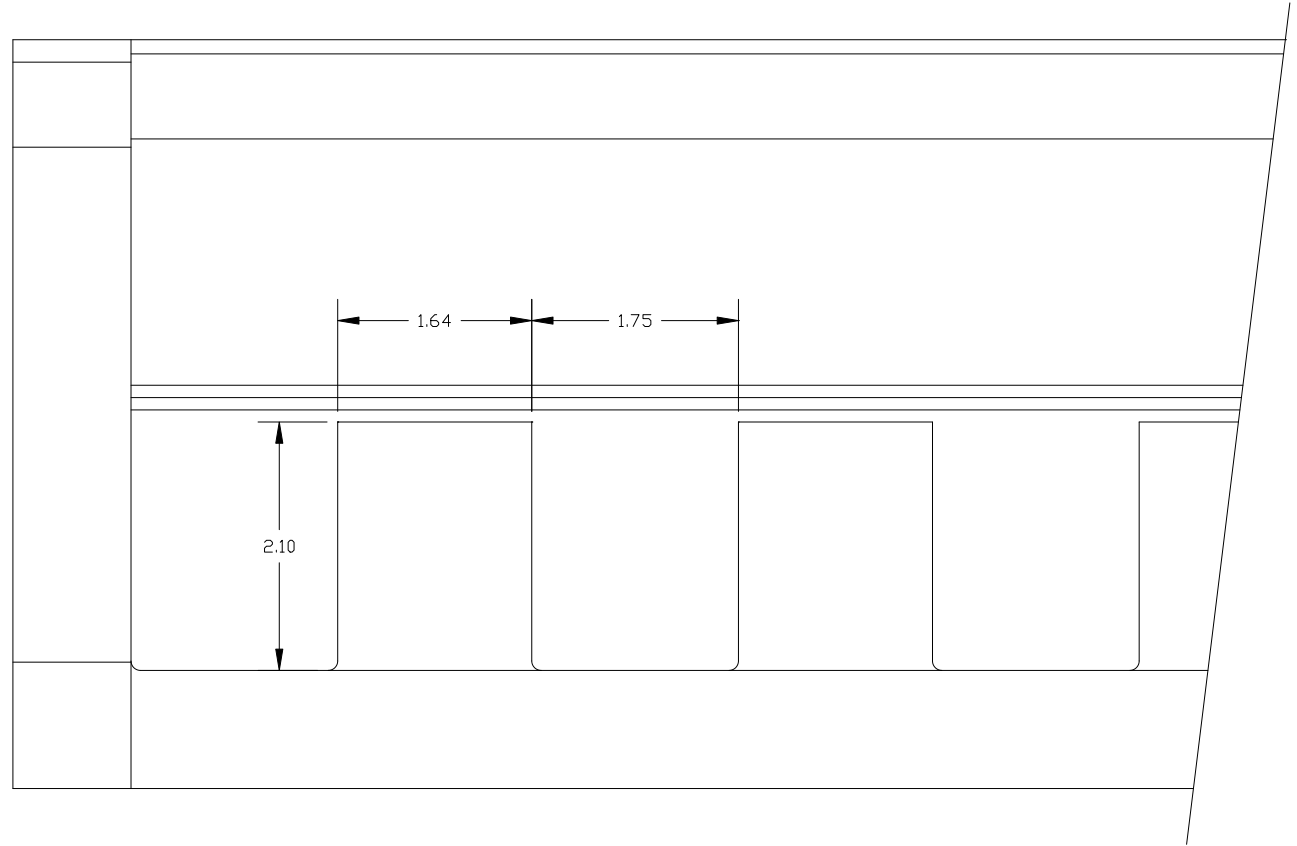
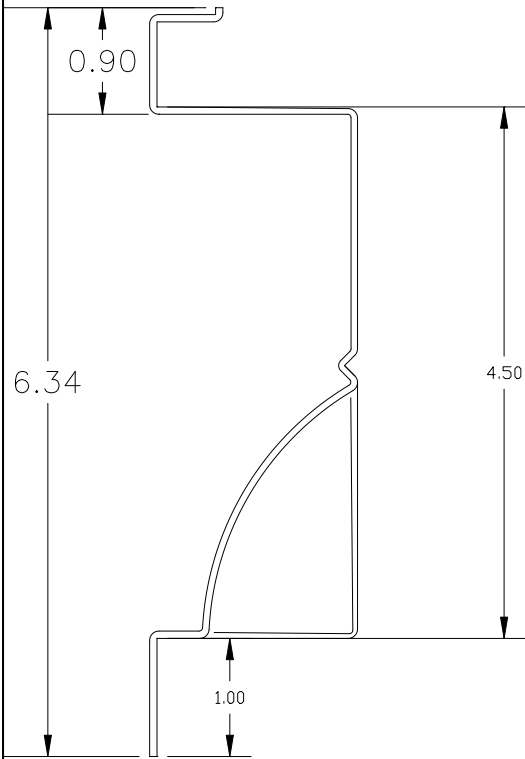


ITEM CODE: DENTILMD45
FINISH: SOLID PVC
GAUGE:
LENGTH: 12'



DENTIL MOLDING END BLOCK 4-1/2"

SCALE: 1"=2"