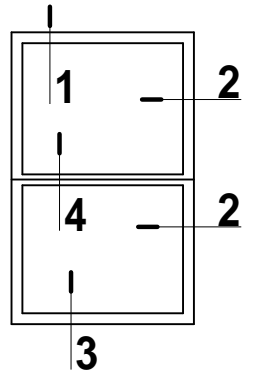
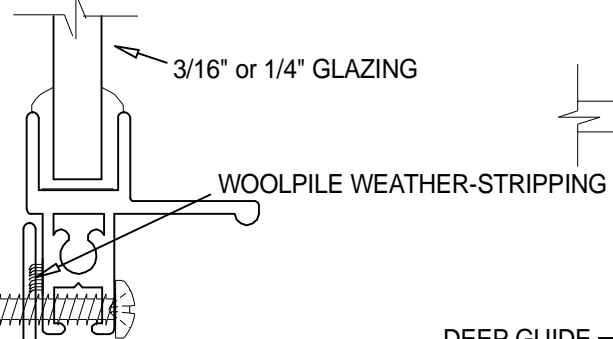


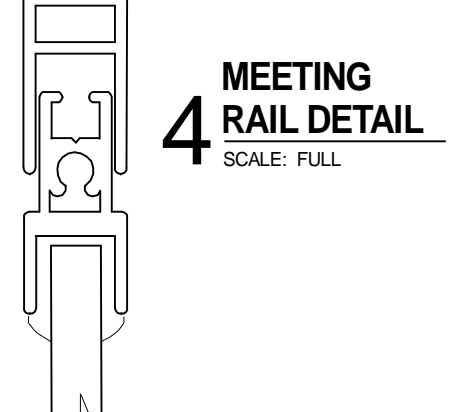
1 HEAD DETAIL
SCALE: FULL



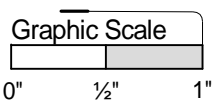
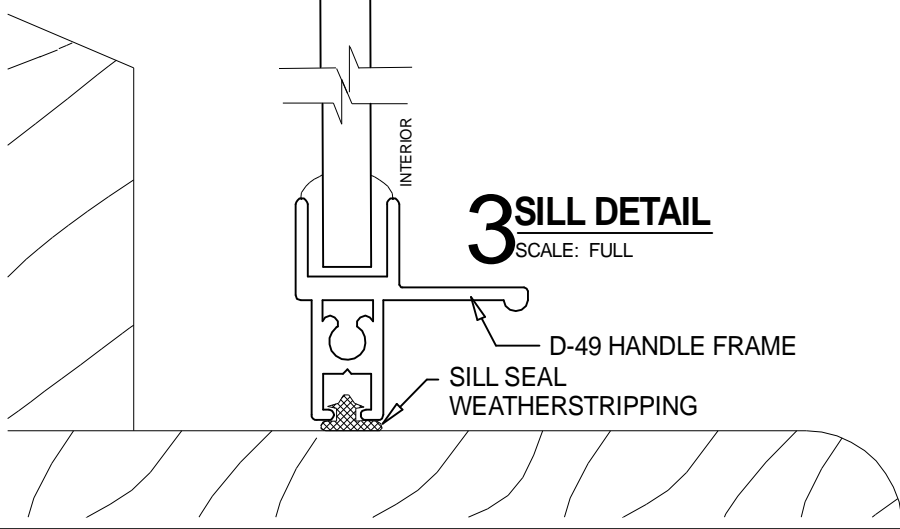
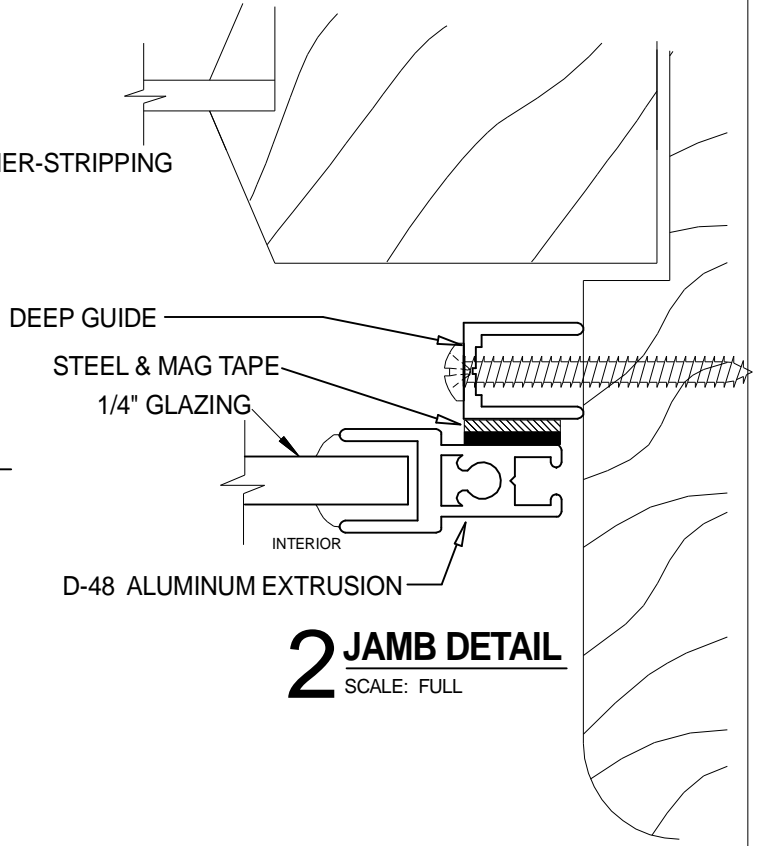
2 JAMB DETAIL
SCALE: FULL



3 SILL DETAIL
SCALE: FULL



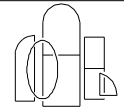
4 MEETING RAIL DETAIL
SCALE: FULL



PRODUCT **MONUMENTAL MOL-ST**
D-48 / D-49
MOUNT TO CHANNEL

DWG. NO.

M-6-MST



Allied Window
Performance Panels®

11111 CANAL ROAD • CINCINNATI, OH 45241 • PH: 800-445-5411, 513-559-1212 • FAX: 513-559-1883 • www.alliedwindow.com • info@alliedwindow.com