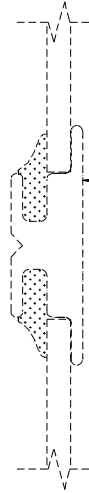
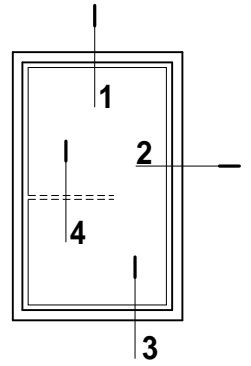
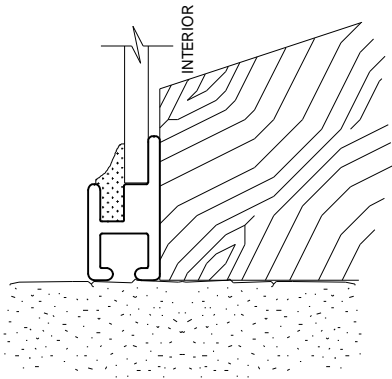


**1 HEAD DETAIL**  
SCALE: FULL



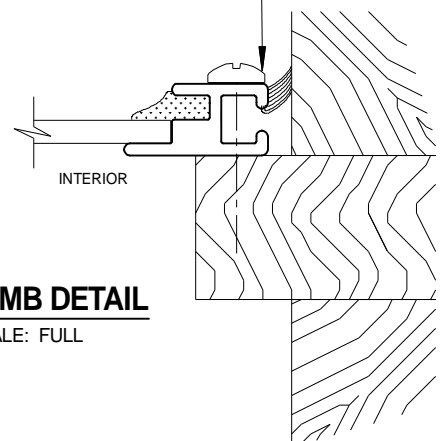
**4 Optional GLAZING MUNTIN DETAIL**  
SCALE: FULL

OPTIONAL GLAZING MUNTINS CAN BE ADDED HORIZONTALLY OR VERTICALLY

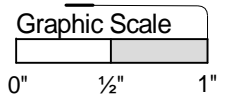


**3 SILL DETAIL**  
SCALE: FULL

SEALANT AND ANCHORS AS REQUIRED

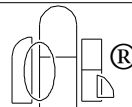


**2 JAMB DETAIL**  
SCALE: FULL



PRODUCT  
D 47 - 3/4" PROFILE PANEL

DWG. NO.  
**D47-1**



**Allied Window**  
Performance Panels®

11111 CANAL ROAD • CINCINNATI, OH 45241 • PH: 800-445-5411, 513-559-1212 • FAX: 513-559-1883 • www.alliedwindow.com • info@alliedwindow.com