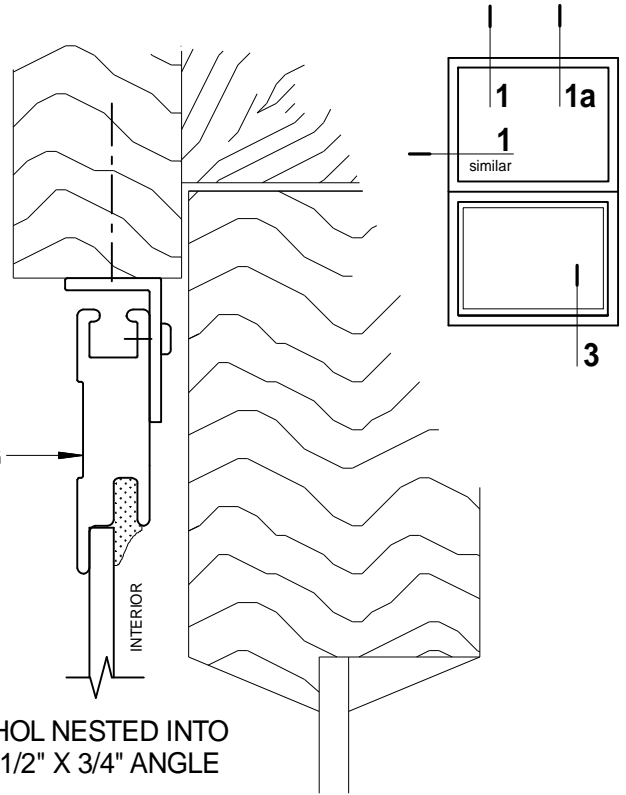


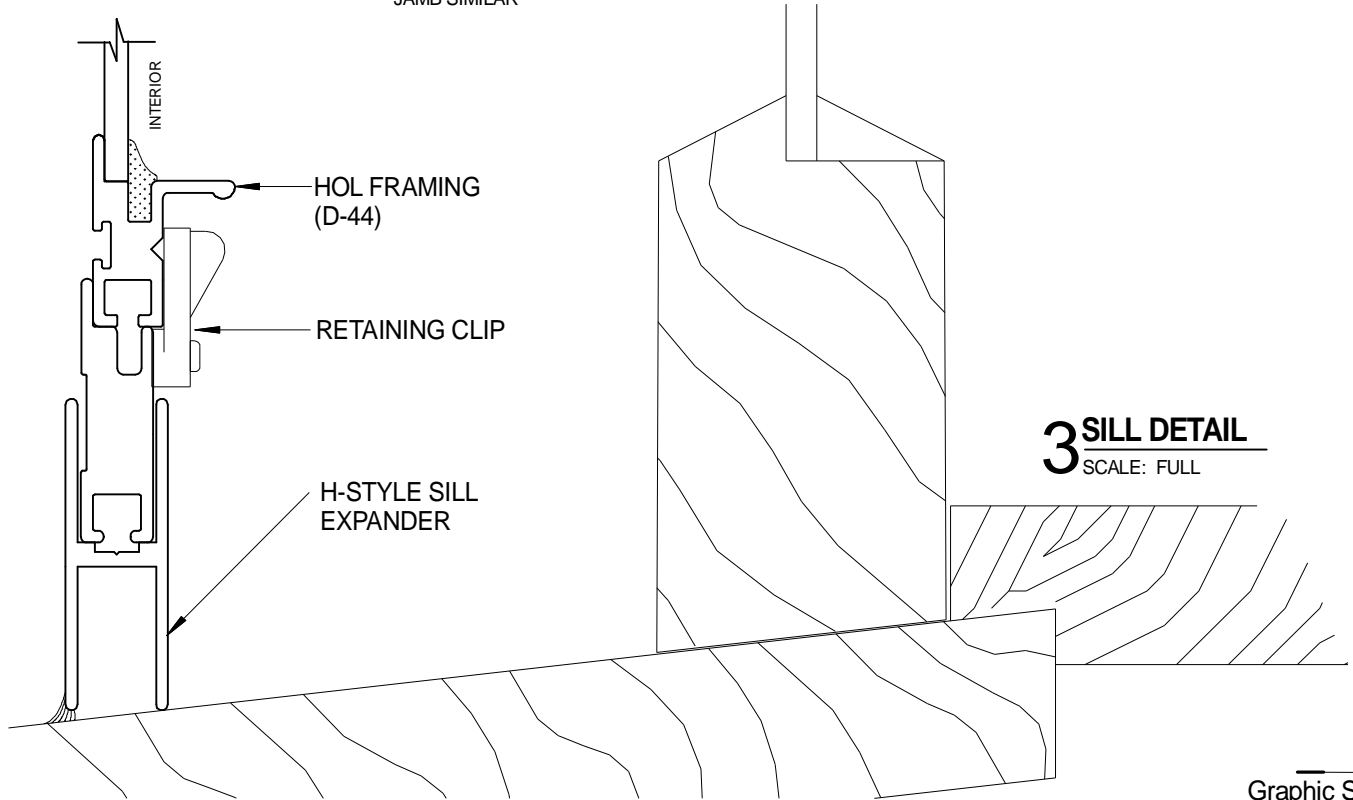
HOL MOUNTED TO DEEP GUIDE CHANNEL STOP

1 HEAD DETAIL
SCALE: FULL
JAMB SIMILAR



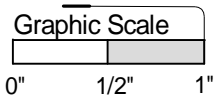
HOL NESTED INTO 1/2" X 3/4" ANGLE

1a HEAD DETAIL
SCALE: FULL
JAMB SIMILAR



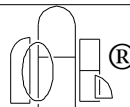
3 SILL DETAIL
SCALE: FULL

NOTE: INTERCHANGEABLE SCREEN AVAILABLE



PRODUCT
HISTORIC ONE LITE • HOL-B
EASTERN STYLE CASING

DWG. NO.
H-5



Allied Window
Performance Panels®

11111 CANAL ROAD • CINCINNATI, OH 45241 • PH: 800-445-5411, 513-559-1212 • FAX: 513-559-1883 • www.alliedwindow.com • info@alliedwindow.com