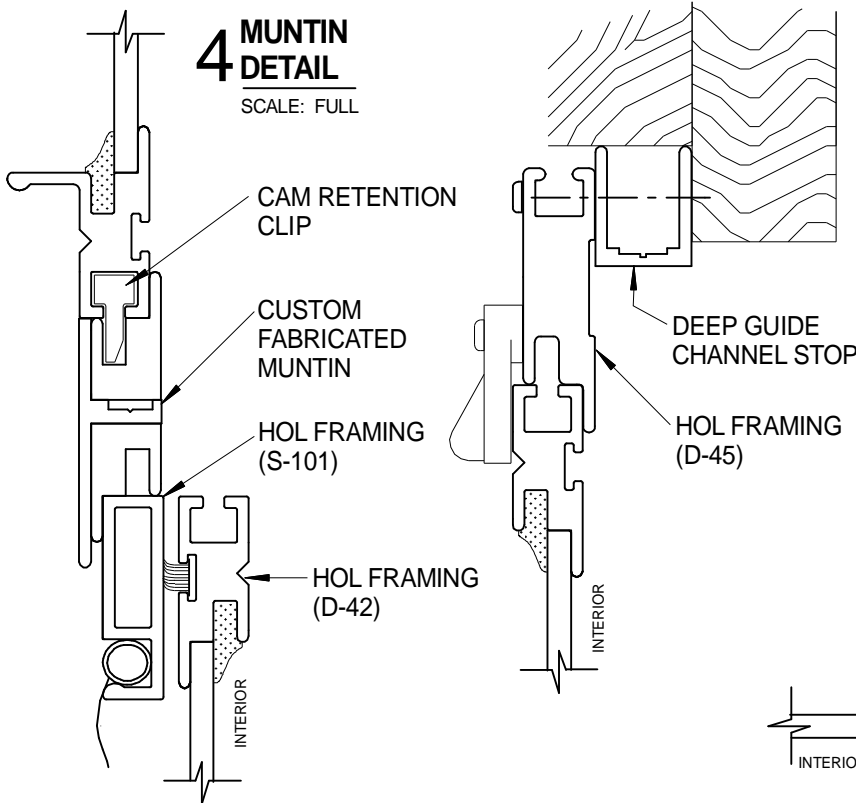


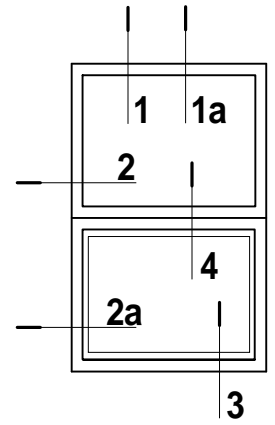
# 4 MUNTIN DETAIL

SCALE: FULL

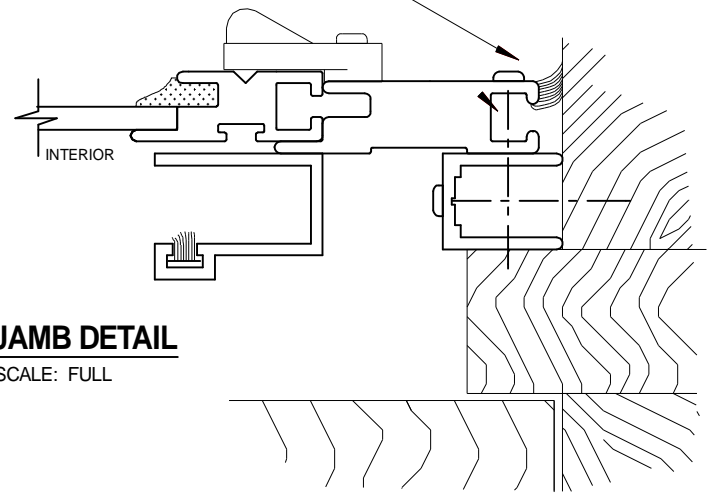


# 1 HEAD DETAIL

SCALE: FULL

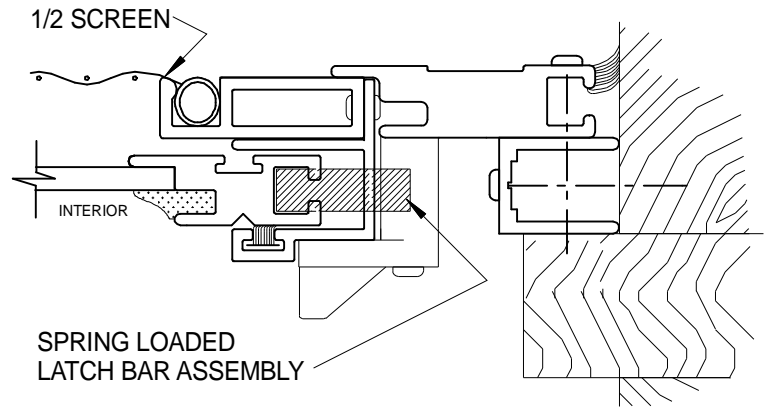
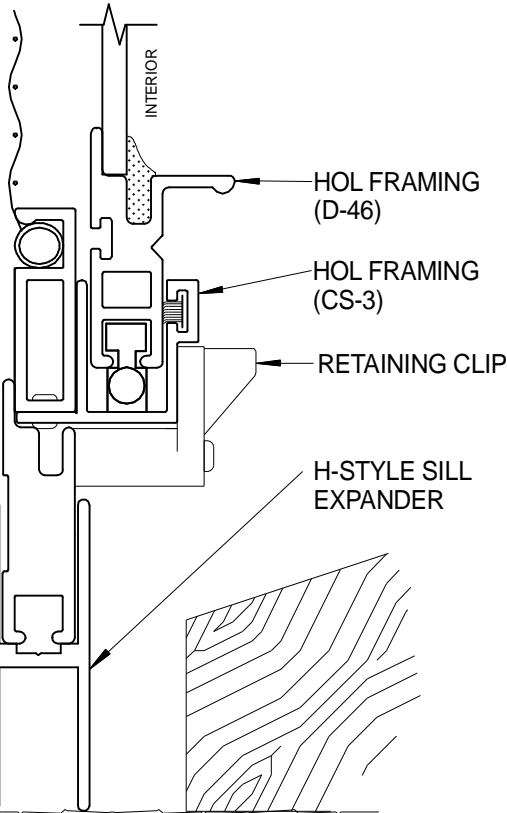


SEALANT AND ANCHORS AS REQUIRED



# 2 JAMB DETAIL

SCALE: FULL

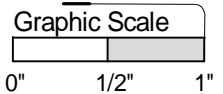


# 2a JAMB DETAIL

SCALE: FULL

# 3 SILL DETAIL

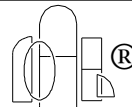
SCALE: FULL



PRODUCT  
 HISTORIC ONE LITE - OPERATING • HOL-OP-TOR  
 TOP OUTSIDE REMOVABLE  
 WITH SCREEN

11111 CANAL ROAD • CINCINNATI, OH 45241 • PH: 800-445-5411, 513-559-1212 • FAX: 513-559-1883 • www.alliedwindow.com • info@alliedwindow.com

DWG. NO.  
**H-7**



**Allied Window**  
 Performance Panels®