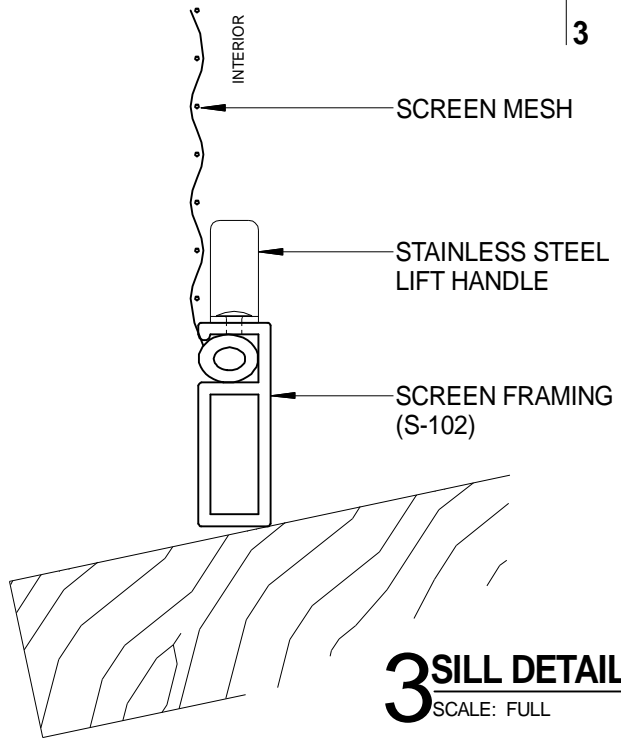
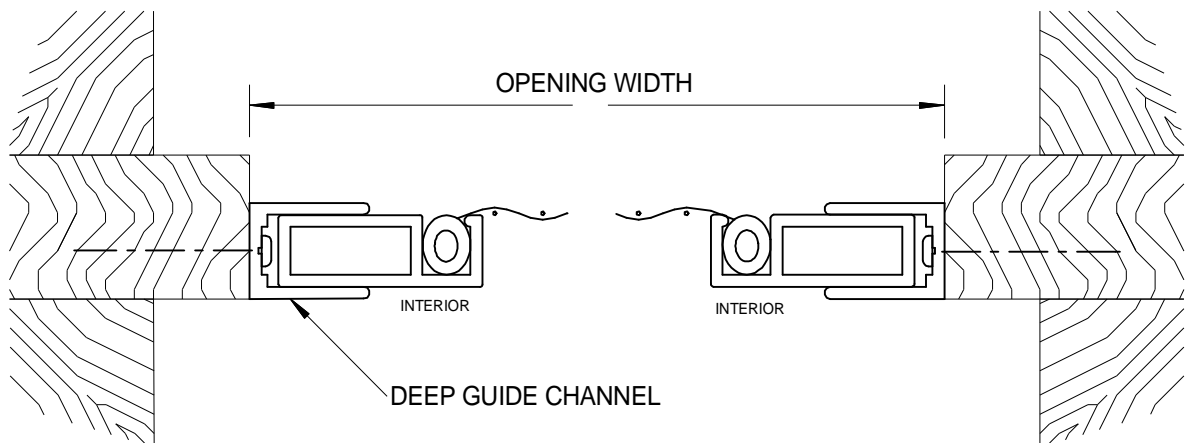


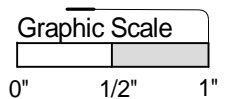
1 HEAD DETAIL
SCALE: FULL



3 SILL DETAIL
SCALE: FULL

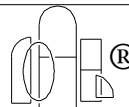


2 JAMB DETAIL
SCALE: FULL



PRODUCT
1/2 SCREEN - DROP-IN
S-102 FRAMING

DWG. NO.
I-3



Allied Window
Performance Panels®

11111 CANAL ROAD • CINCINNATI, OH 45241 • PH: 800-445-5411, 513-559-1212 • FAX: 513-559-1883 • www.alliedwindow.com • info@alliedwindow.com