

1 HEAD DETAIL

SCALE: FULL

DEEP GUIDE
ALUMINUM EXTRUSION
MAGNETIC ONE LITE • MOL

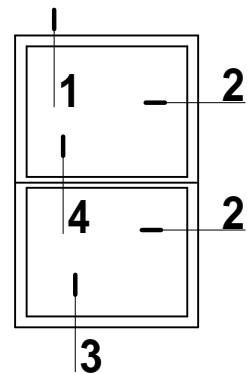
D-44 HANDLE FRAME
#8 x 3/4" PHILLIPS HEAD
SCREW - *Required*
H-MULLION (MODIFIED)

4 MEETING RAIL DETAIL

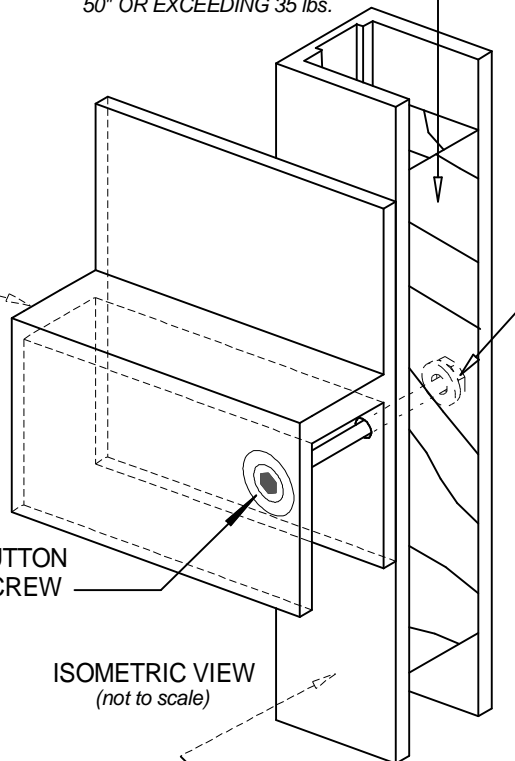
SCALE: FULL

ALUMINUM EXTRUSION
MAGNETIC ONE LITE • MOL

D-46 HANDLE FRAME
SILL SEAL
WEATHERSTRIPPING



MACHINE BOLT AND LOCKNUT
OPTIONAL SOLID BLOCKING
REQUIRED IN PANELS OVER
50" OR EXCEEDING 35 lbs.



ISOMETRIC VIEW
(not to scale)

STEEL TAPE
MAGNETIC SEAL TAPE

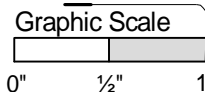
ALUMINUM EXTRUSION
MAGNETIC ONE LITE • MOL

2 JAMB DETAIL

SCALE: FULL

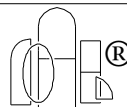
3 SILL DETAIL

SCALE: FULL



PRODUCT
MAGNETIC ONE LITE, STACKED • MOL-ST
PERMANENT MULLION

DWG. NO.
M-3



Allied Window
Performance Panels®

11111 CANAL ROAD • CINCINNATI, OH 45241 • PH: 800-445-5411, 513-559-1212 • FAX: 513-559-1883 • www.alliedwindow.com • info@alliedwindow.com