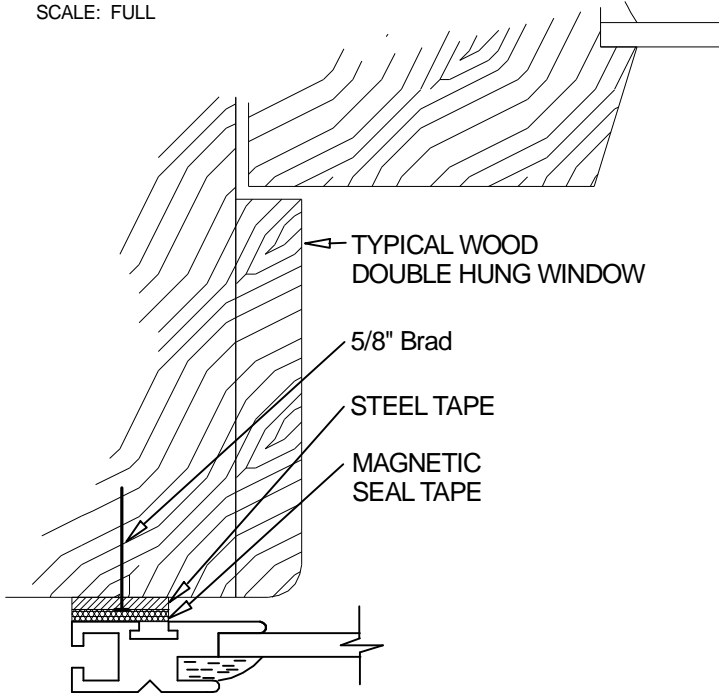


### JAMB DETAIL(OVERLAP)

MOUNT TO STEEL TAPE

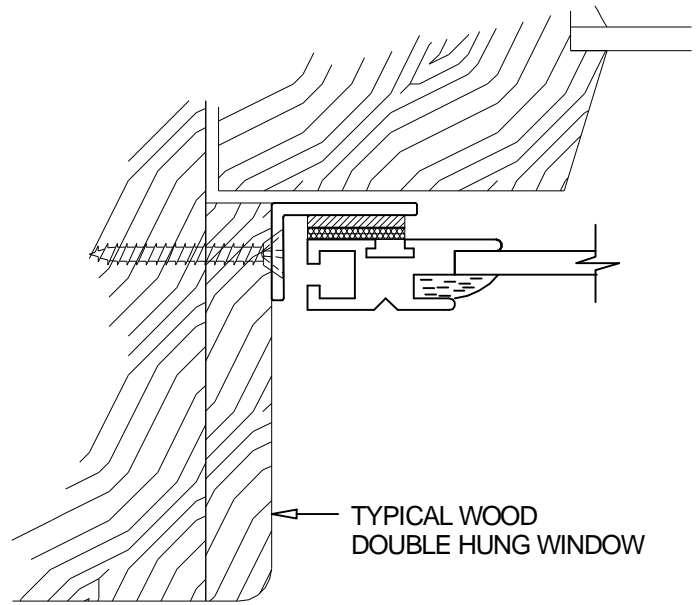
SCALE: FULL



### JAMB DETAIL (NESTED)

MOUNT TO ALUMINUM ANGLE

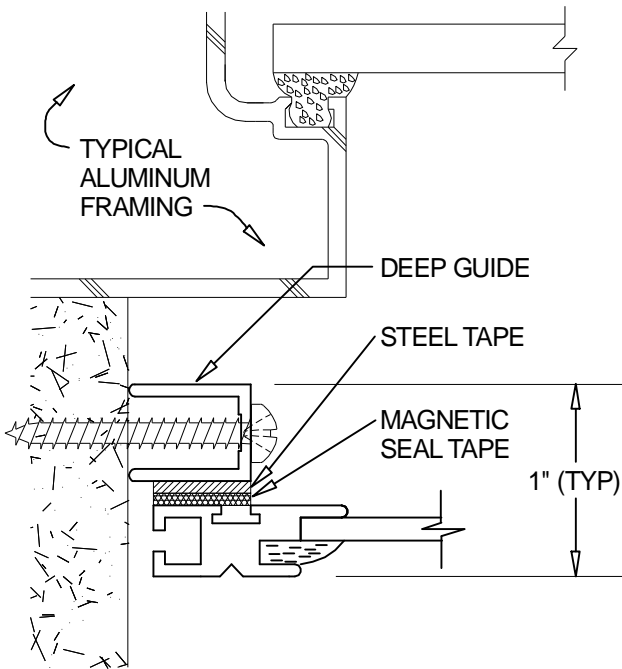
SCALE: FULL



### JAMB DETAIL (STANDARD)

MOUNT TO DEEP GUIDE

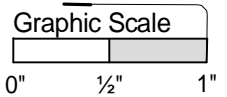
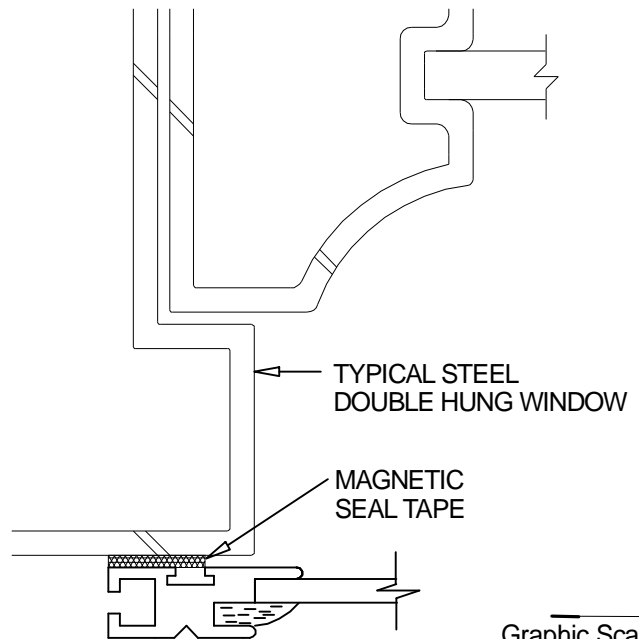
SCALE: FULL



### JAMB DETAIL (OVERLAP)

MOUNT TO STEEL WINDOW

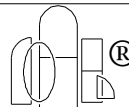
SCALE: FULL



PRODUCT  
MAGNETIC ONE LITE  
JAMB ALTERNATIVES

DWG. NO.

**M-8**



**Allied Window**  
Performance Panels®

11111 CANAL ROAD • CINCINNATI, OH 45241 • PH: 800-445-5411, 513-559-1212 • FAX: 513-559-1883 • www.alliedwindow.com • info@alliedwindow.com

2/3/15 Master Copy