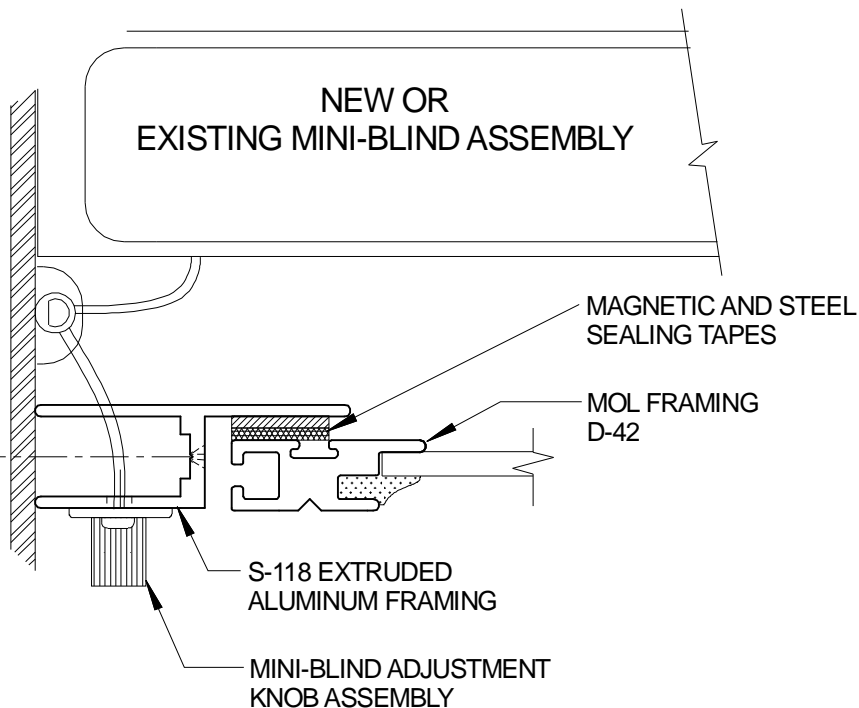
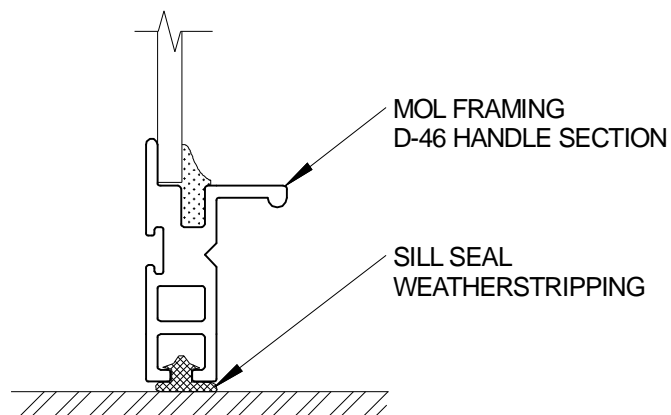


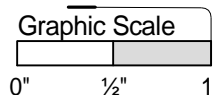
HEAD DETAIL
SCALE: FULL



JAMB DETAIL
SCALE: FULL



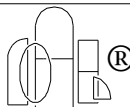
SILL DETAIL
SCALE: FULL



PRODUCT
MAGNETIC ONE LITE with MINI-BLIND
(BETWEEN GLASS)

DWG. NO.

M-9a



Allied Window
Performance Panels®

11111 CANAL ROAD • CINCINNATI, OH 45241 • PH: 800-445-5411, 513-559-1212 • FAX: 513-559-1883 • www.alliedwindow.com • info@alliedwindow.com