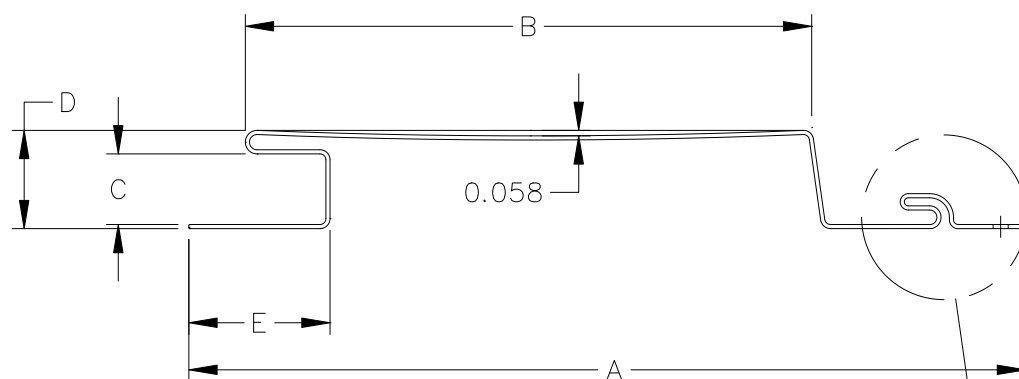
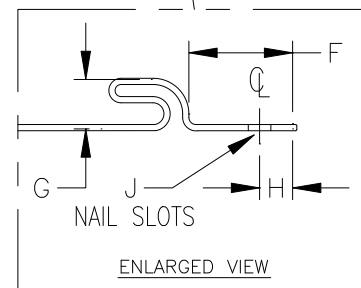


## BELLY BAND



- A. OVERALL PANEL WIDTH =  $9.000 \pm 0.025$
- B. EXPOSED PANEL WIDTH =  $6.010 \pm 0.015$
- C. SIDING POCKET =  $0.750 \pm 0.010$
- D. OVERALL PANEL HEIGHT =  $1.040 \pm 0.010$
- E. POCKET DEPTH =  $1.750 \pm 0.015$
- F. NAIL STRIP EDGE TO LOCK =  $0.700 \pm 0.030$
- G. LOCK HEIGHT =  $0.370 \pm 0.015$
- H. NAIL SLOTS CENTER =  $0.250 \pm 0.015$



WALL THICKNESS EXPOSED = .043 MIN TO .048 MAX  
 WEIGHT PER FOOT - - - = .260 LBS.  
 OVERALL LENGTH - - - = 20'-0"  $\pm$  1/8"  
 WARP - - - - - = .125"/PANEL  
 WEEP HOLE - - - - - = 0.125"  
 NAIL CENTER - - - - - = 16"

