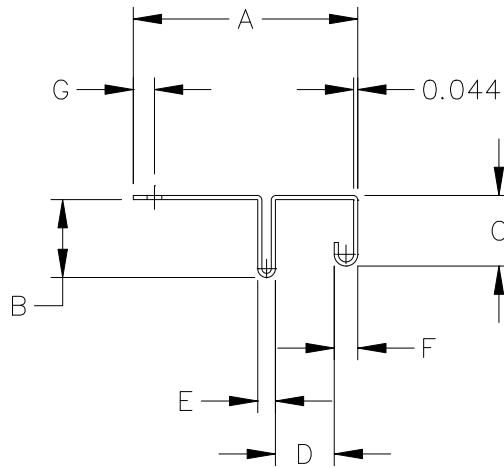


5/8" F-CHANNEL



- A. PANEL WIDTH = 2.385 ± 0.050
- B. TOTAL PROFILE THICKNESS = 0.828 ± 0.040
- C. HOOK LENGTH = 0.750 ± 0.040
- D. SLOT WIDTH = 0.625 ± 0.040
- E. BEAD WIDTH = 0.188 ± 0.040
- F. HOOK LIP = 0.250 ± 0.040
- G. NAIL SLOT CENTER LINE = 0.225 ± 0.025

WALL THICKNESS EXPOSED = $.044 \pm .002$
 WEIGHT PER FOOT - - - = .115 LBS.
 OVERALL LENGTH - - - = 12'-6"
 WARP - - - - - = 1/2"/PANEL
 WEEP HOLE - - - - - = N/A
 NAIL CENTER - - - - - = 16"

Alside®
 First On America's Homes