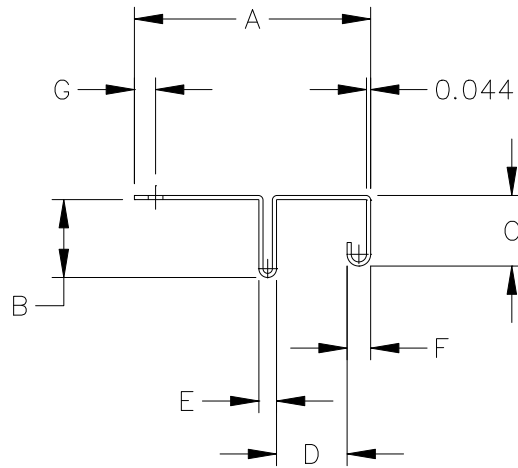


## 3/4" F-CHANNEL



- A. PANEL WIDTH =  $2.385 \pm 0.050$
- B. TOTAL PROFILE THICKNESS =  $0.828 \pm 0.040$
- C. HOOK LENGTH =  $0.750 \pm 0.040$
- D. SLOT WIDTH =  $0.750 \pm 0.040$
- E. BEAD WIDTH =  $0.188 \pm 0.040$
- F. HOOK LIP =  $0.250 \pm 0.040$
- G. NAIL SLOT CENTER LINE =  $0.225 \pm 0.025$

WALL THICKNESS EXPOSED =  $.044 \pm .002$   
 WEIGHT PER FOOT - - - = .115 LBS.  
 OVERALL LENGTH - - - = 12'-6"  
 WARP - - - - - = 1/2"/PANEL  
 WEEP HOLE - - - - - = N/A  
 NAIL CENTER - - - - - = 16"

**Alside**®  
 First On America's Homes