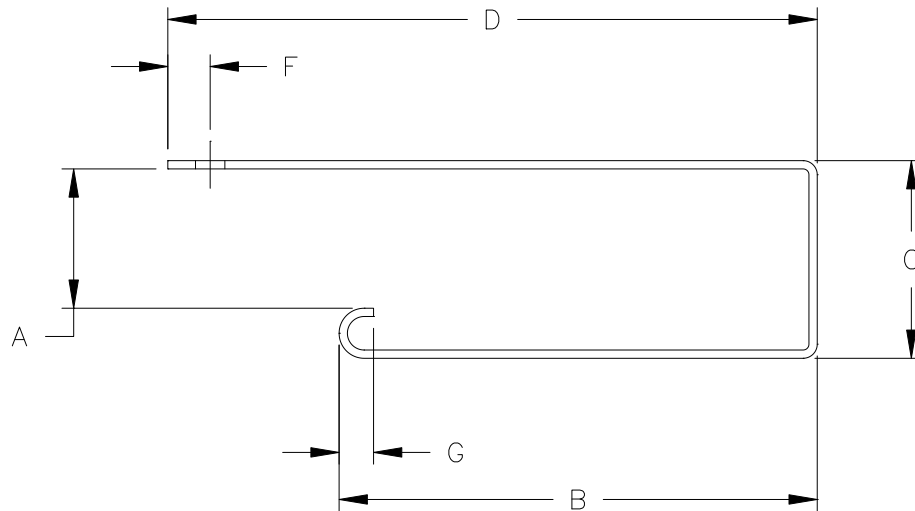


## WIDE FACED J-CHANNEL



- A. SIDING POCKET WIDTH =  $0.740 \pm 0.020$
- B. SIDING POCKET DEPTH =  $2.540 \pm 0.050$
- C. TOTAL PROFILE =  $1.050 \pm 0.040$
- D. TOTAL PANEL WIDTH =  $3.450 \pm 0.050$
- F. NAIL SLOT CENTER LINE =  $0.225 \pm 0.025$
- G. BEAD DEPTH =  $0.183 +0.020 -0.010$

WALL THICKNESS EXPOSED =  $.044 \pm .002$   
 WEIGHT PER FOOT - - - = .175 LBS.  
 OVERALL LENGTH - - - =  $12'-6" \pm 1/8"$   
 WEEP HOLE - - - - - = N/A  
 WARP - - - - - = .125"  
 NAIL CENTER - - - - - = 16"

  
 First On America's Homes