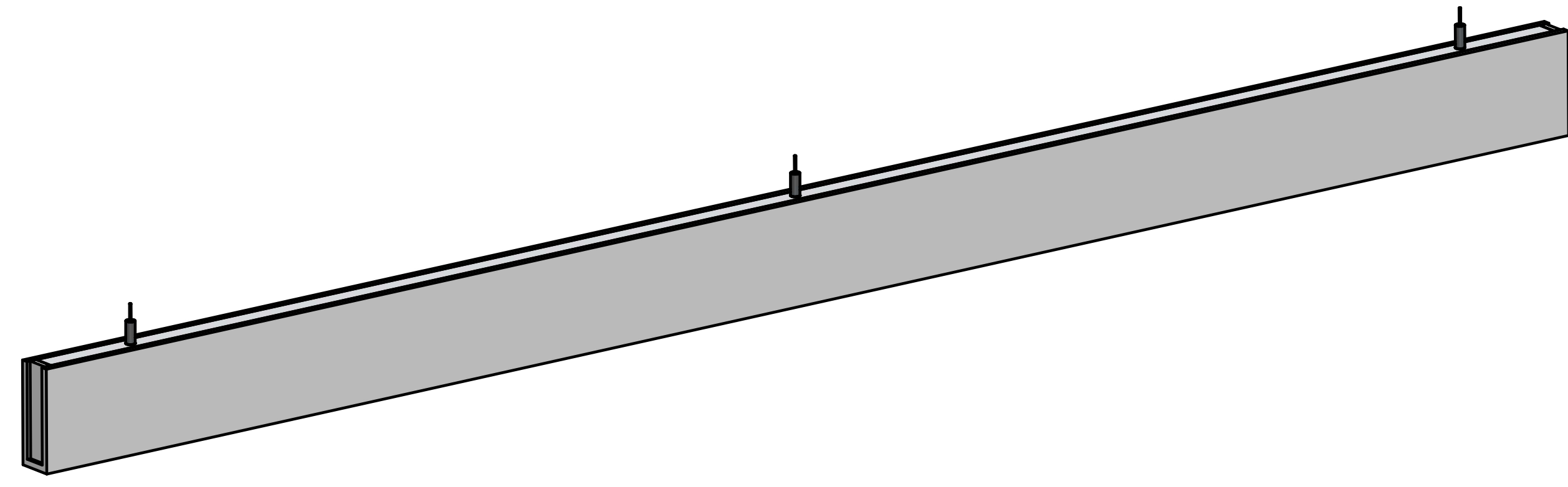
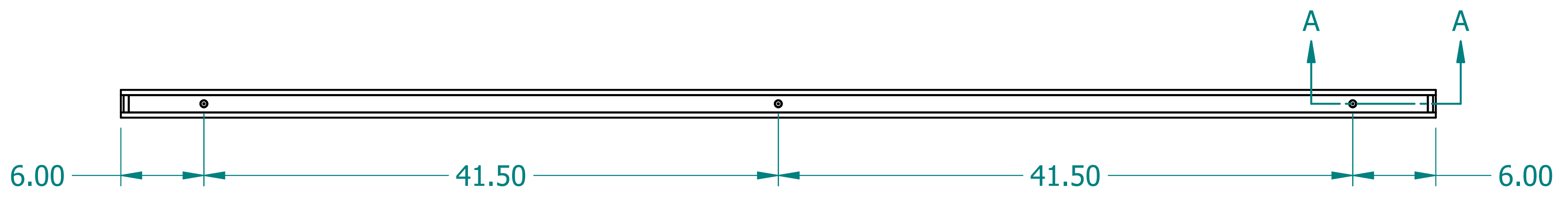
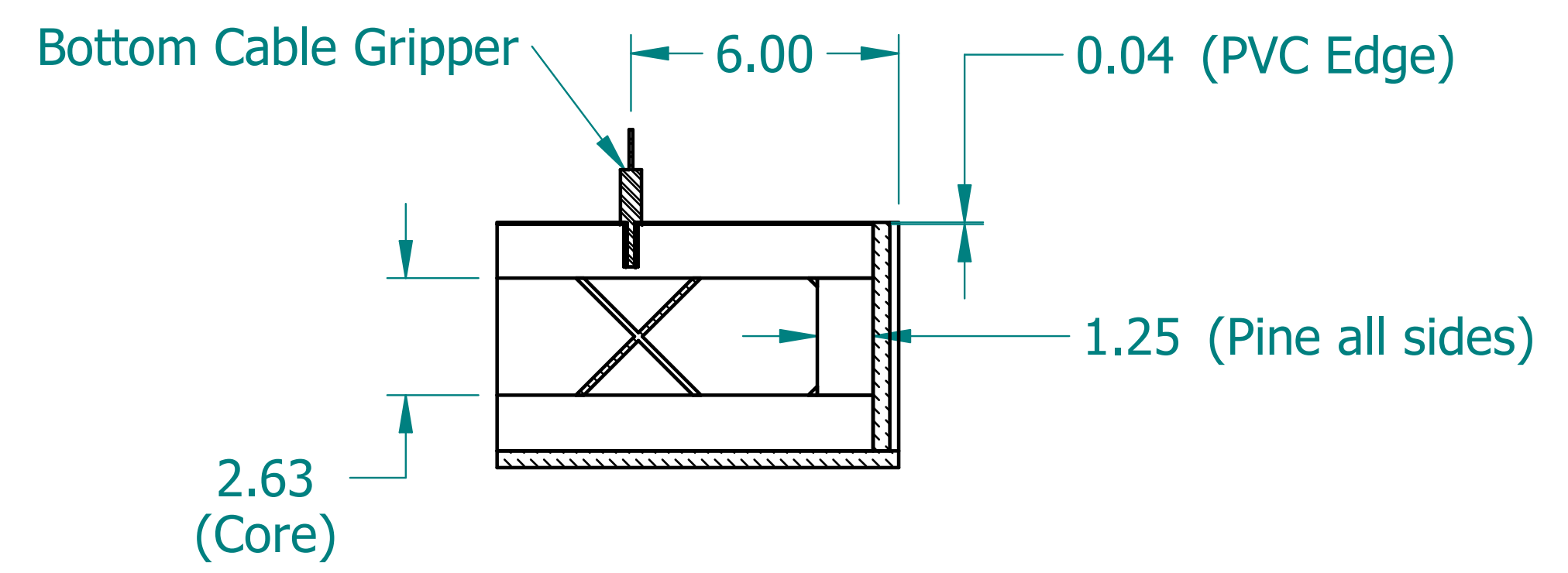


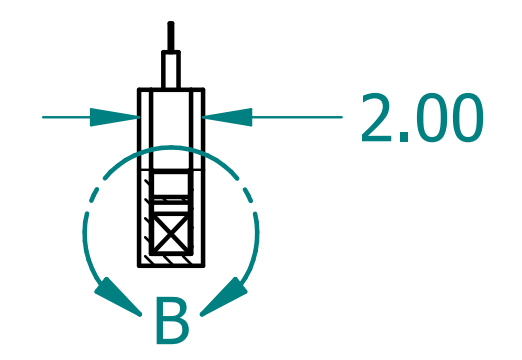
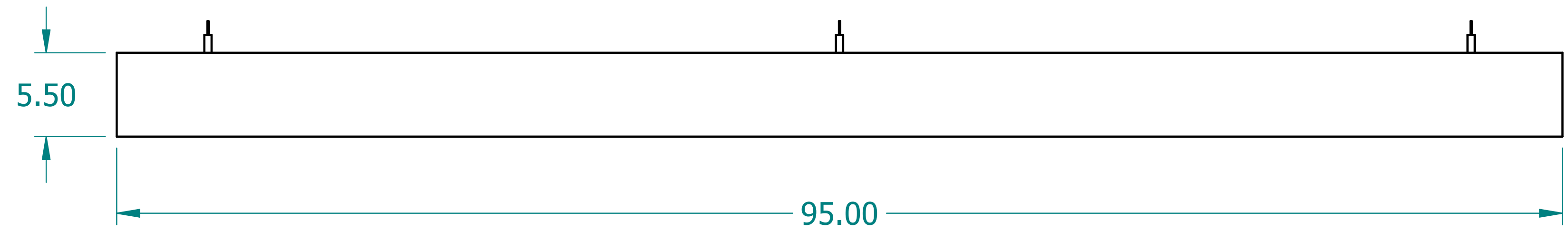
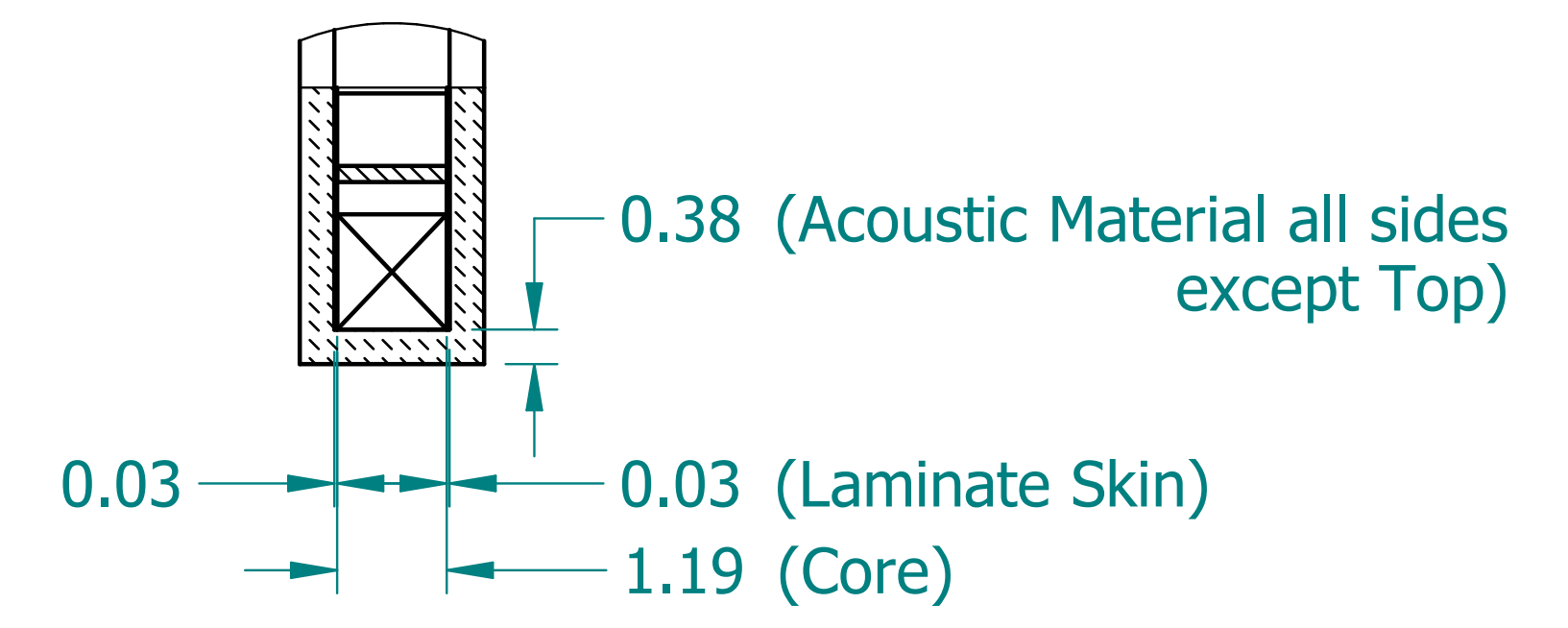
| REVISION HISTORY |             |      |          |
|------------------|-------------|------|----------|
| REV.             | DESCRIPTION | DATE | APPROVED |
|                  |             |      |          |



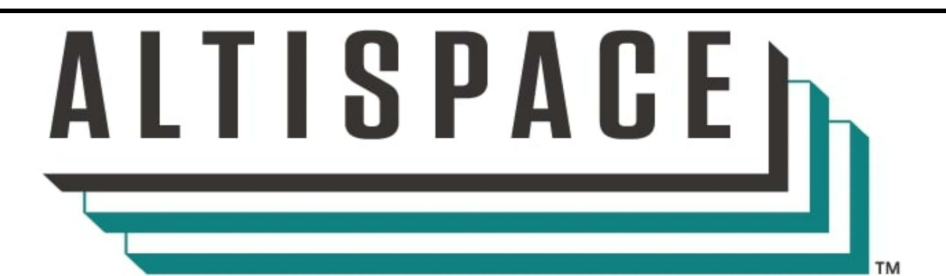
SECTION A-A



DETAIL B



|          | NAME | DATE     |
|----------|------|----------|
| DRAWN    | SAI  | 03/11/20 |
| ENG APPR | ERIC | 03/11/20 |



UNLESS OTHERWISE SPECIFIED DIMENSIONS ARE IN 'INCHES'  
 ANGLES  $\pm 0.8^\circ$  ; 2 PL  $\pm 0.040$  ;  
 3 PL  $\pm 0.020$

|  |               |                |     |
|--|---------------|----------------|-----|
| TITLE                                  |               | Acoustic Blade |     |
| SUBTITLE                               |               | 96"x6"x2"      |     |
| PART NO:                               | ABlade-053-XX | REV.           | 1.0 |
| SIZE: 34"x22"                          | SCALE: 0.17   | SHEET 1 OF 1   |     |
| FILE NAME: Acoustic Blade (96.6.2).dft |               |                |     |