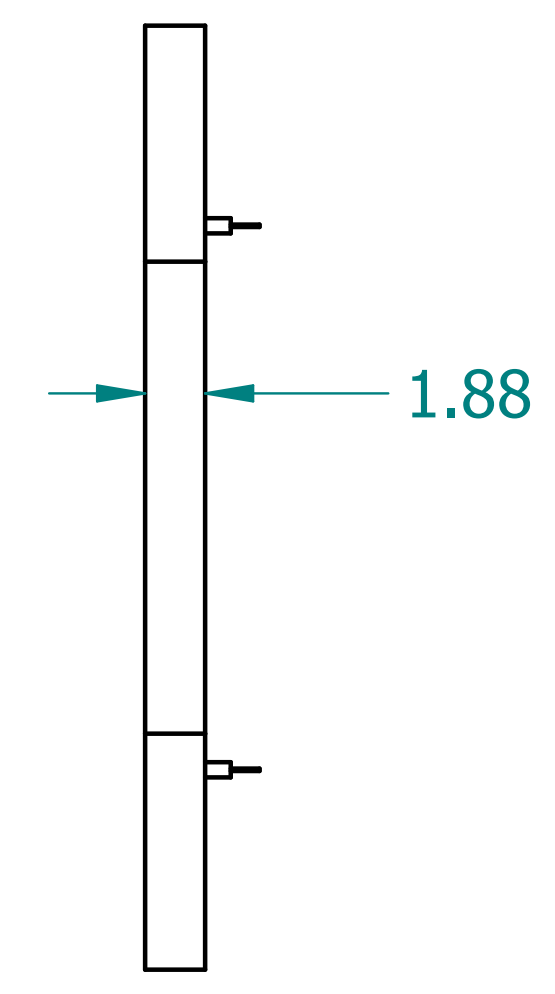
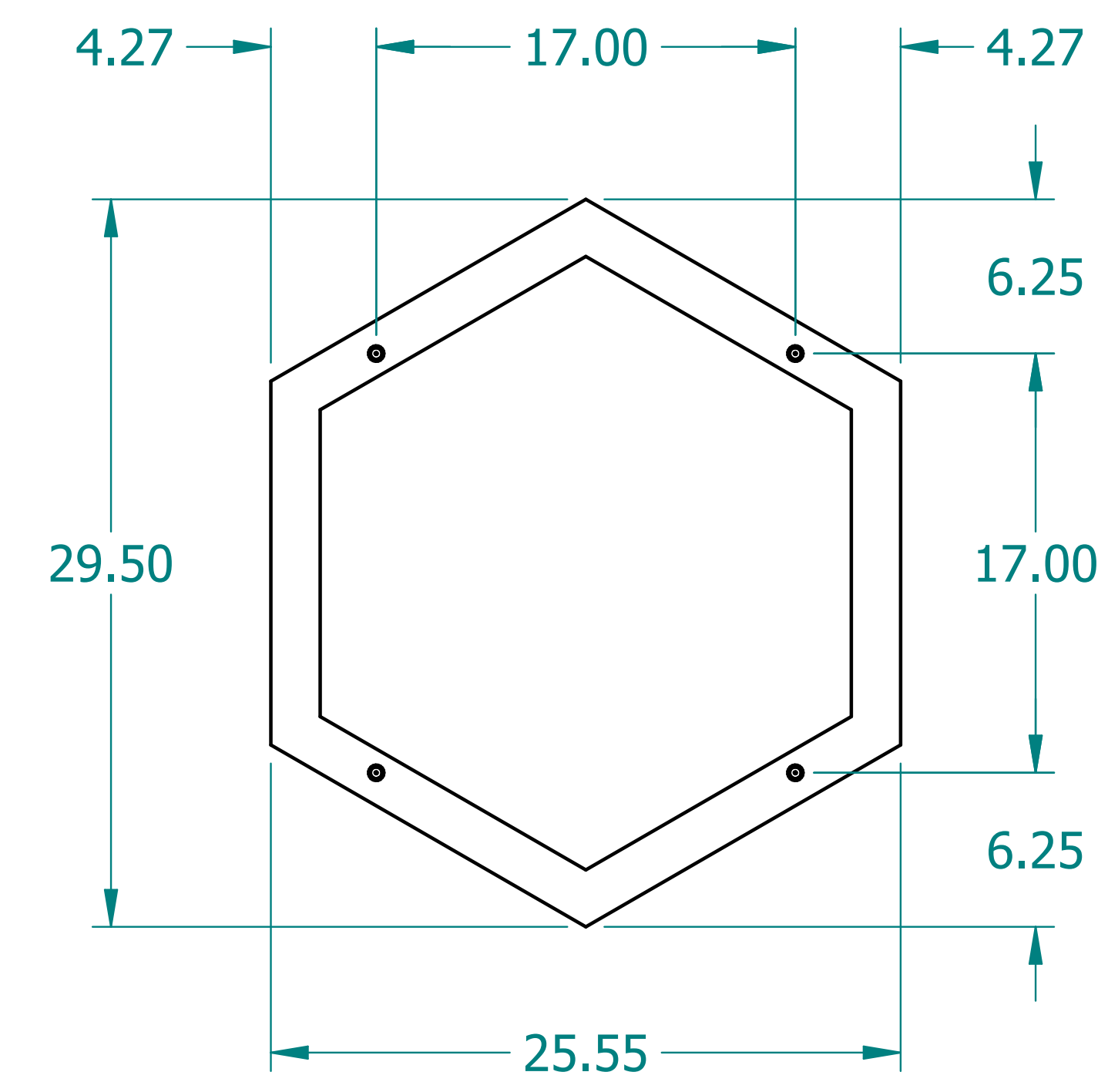
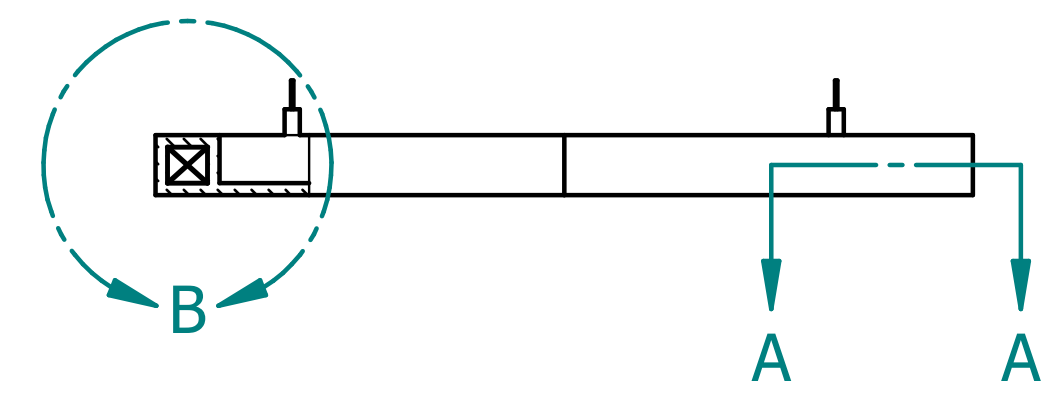
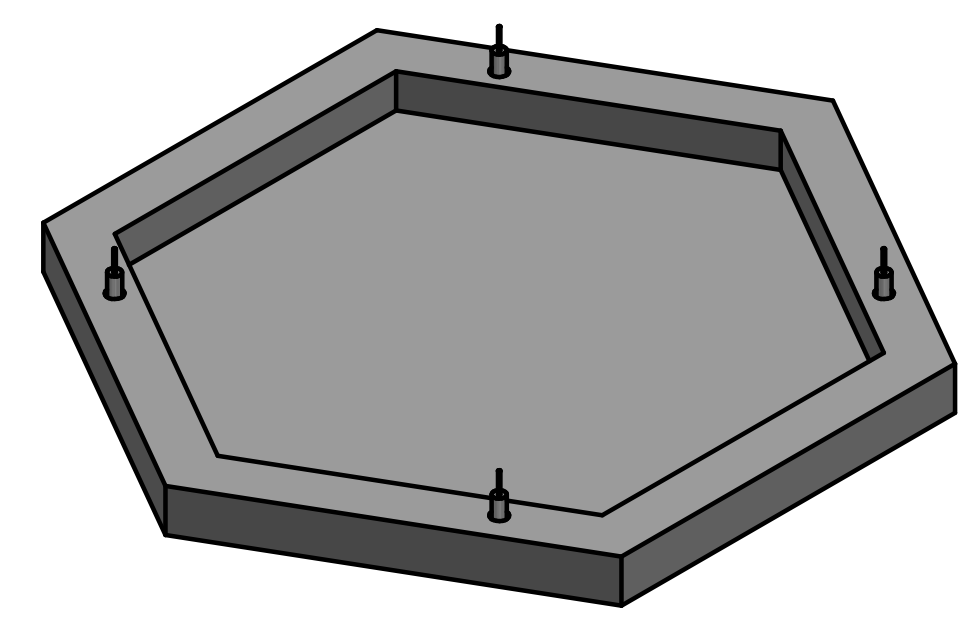
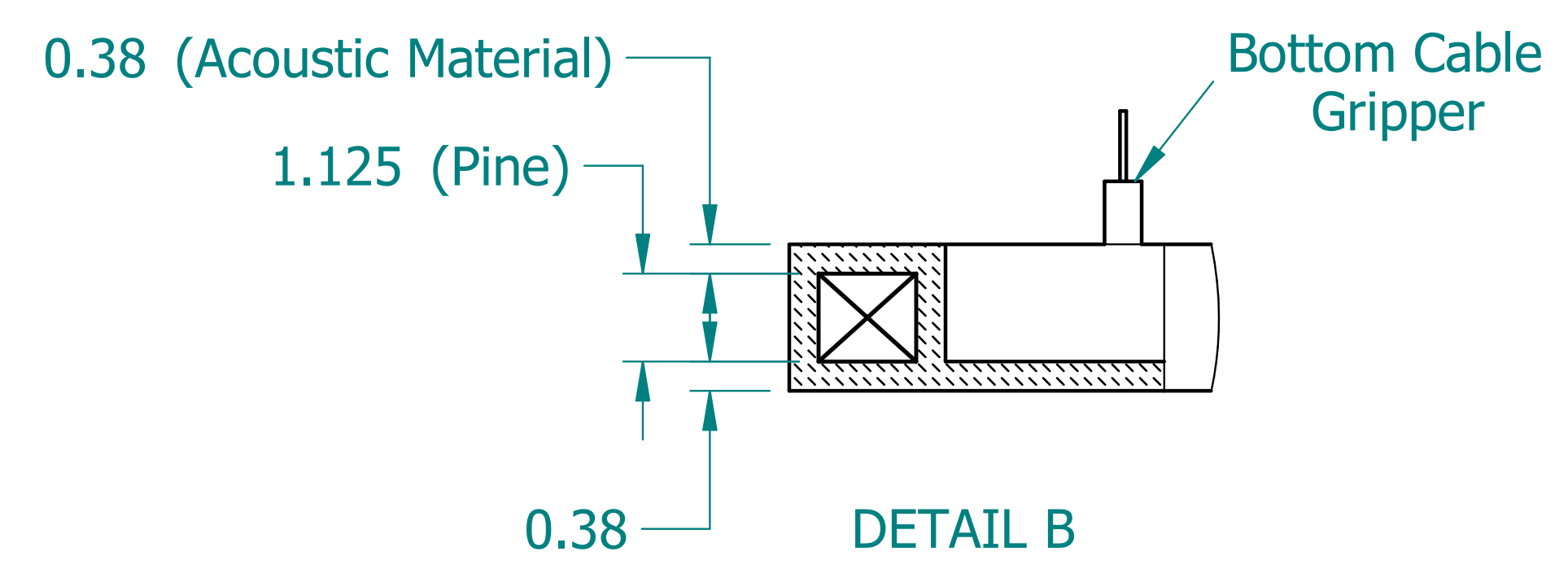
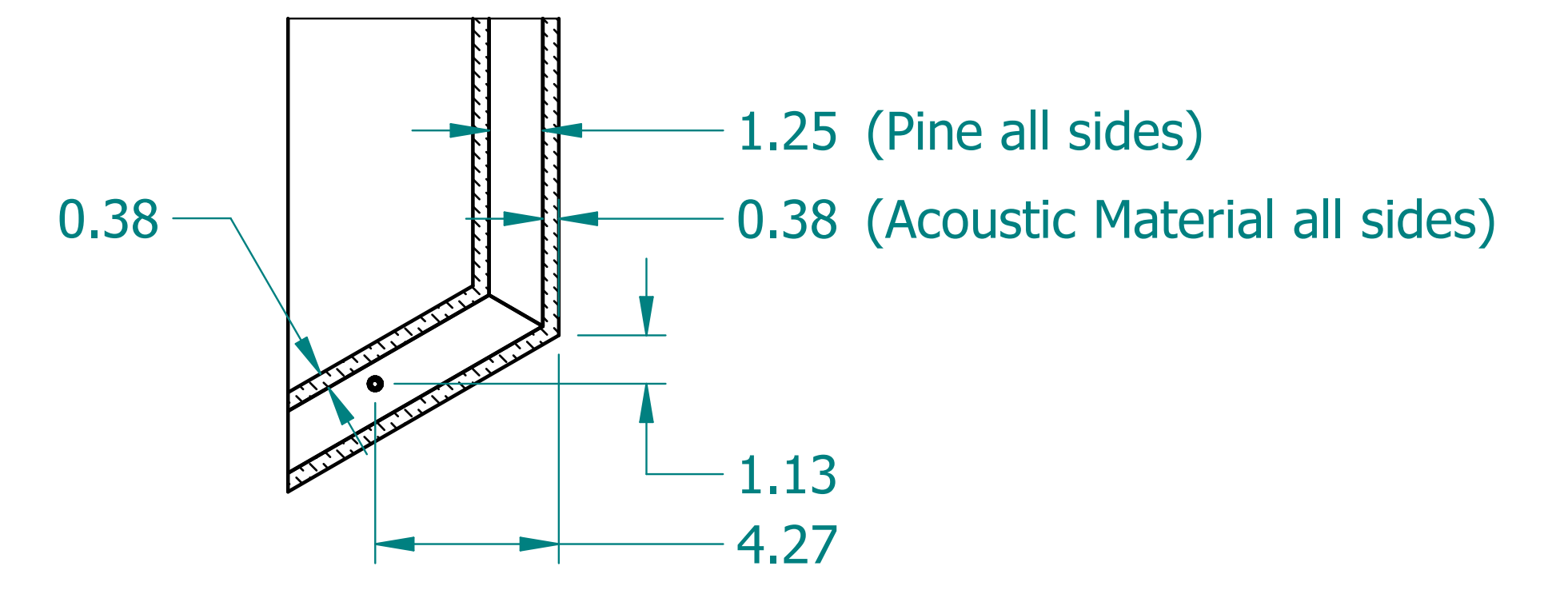


REVISION HISTORY			
REV.	DESCRIPTION	DATE	APPROVED



SECTION A-A



	NAME	DATE
DRAWN	SAI	04/29/20
ENG APPR	ERIC	04/29/20

UNLESS OTHERWISE SPECIFIED DIMENSIONS ARE IN 'INCHES'
 ANGLES $\pm 0.8^\circ$; 2 PL ± 0.040 ;
 3 PL ± 0.020

ALTISPACE

TITLE: Acoustic Shape: Hexagon

SUBTITLE: 30"x30"x2"

PART NO: AShape-3-02-XX	REV. 1.0
SIZE: 34"x22"	SCALE: 0.17
SHEET 1 OF 1	

FILE NAME: Acoustic Hexagon (30.30.2).dft