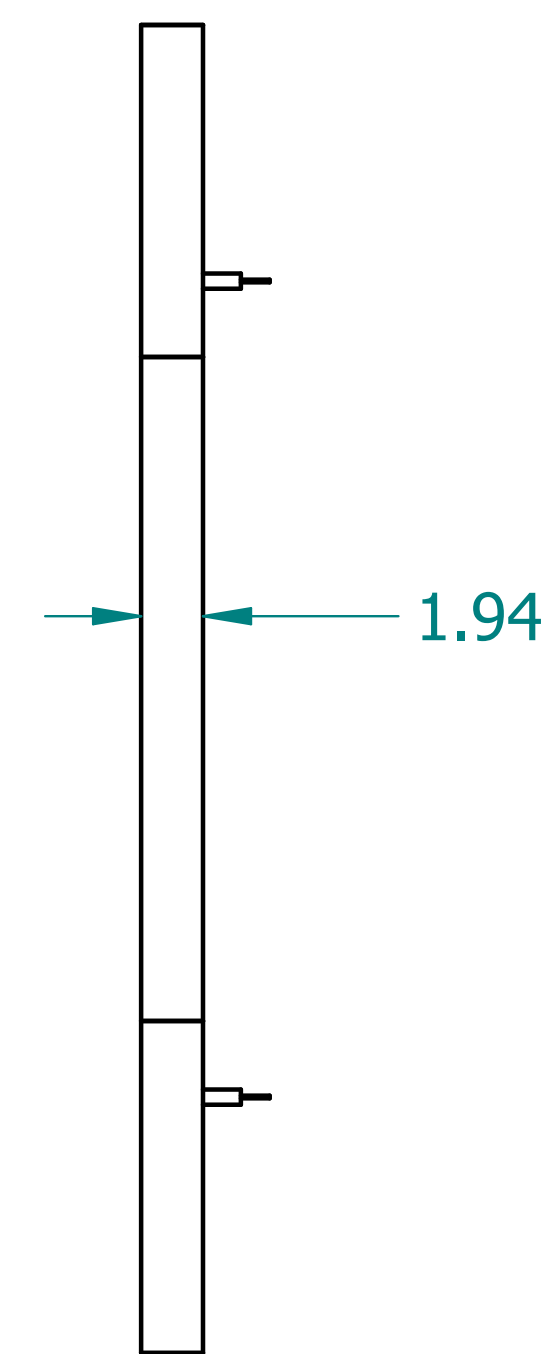
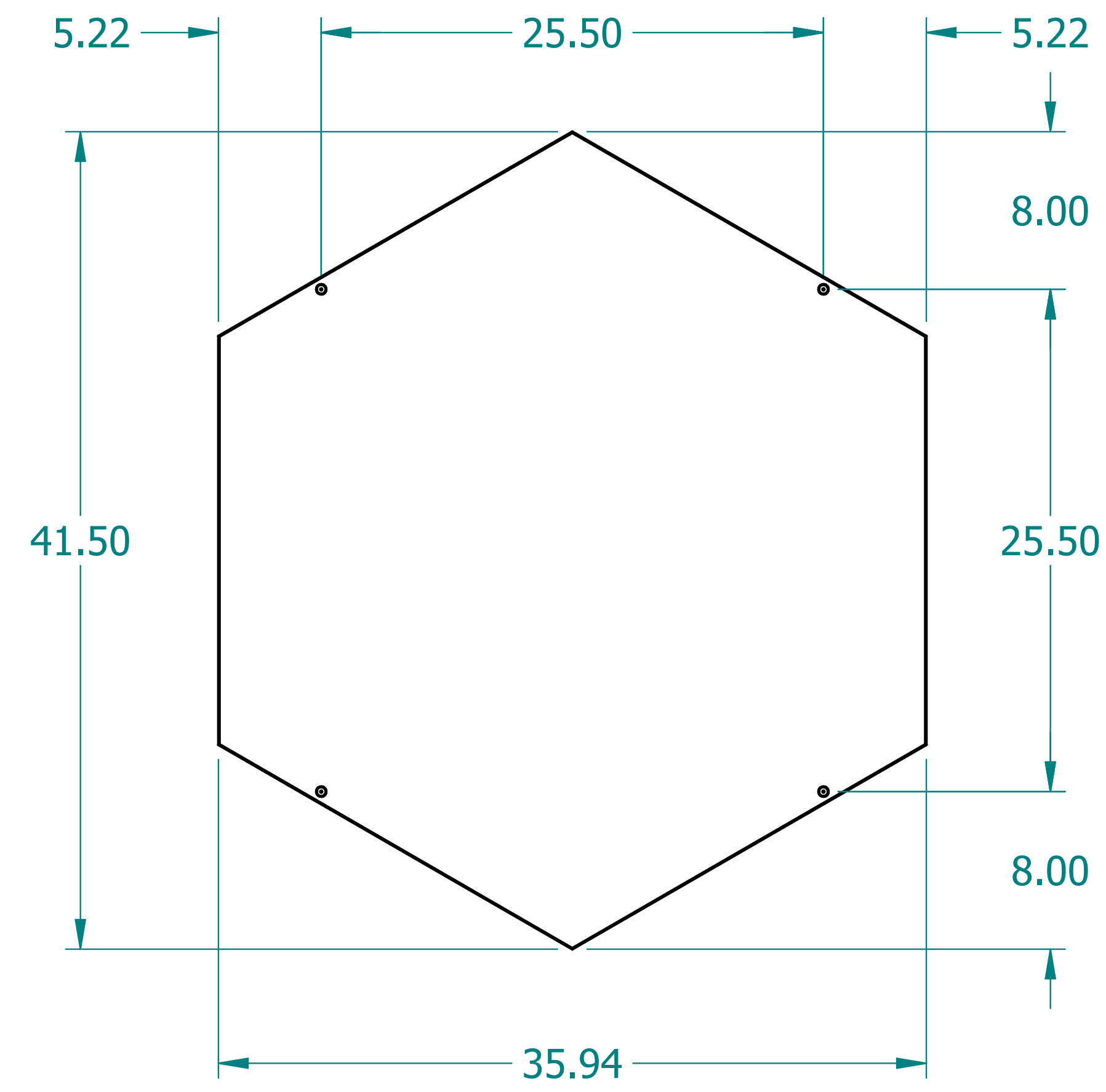
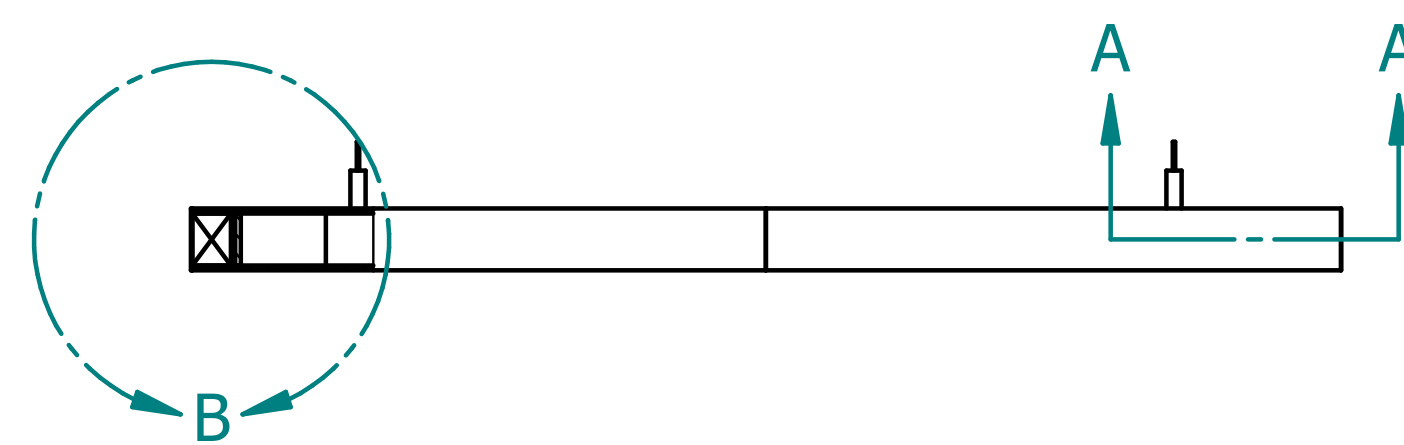
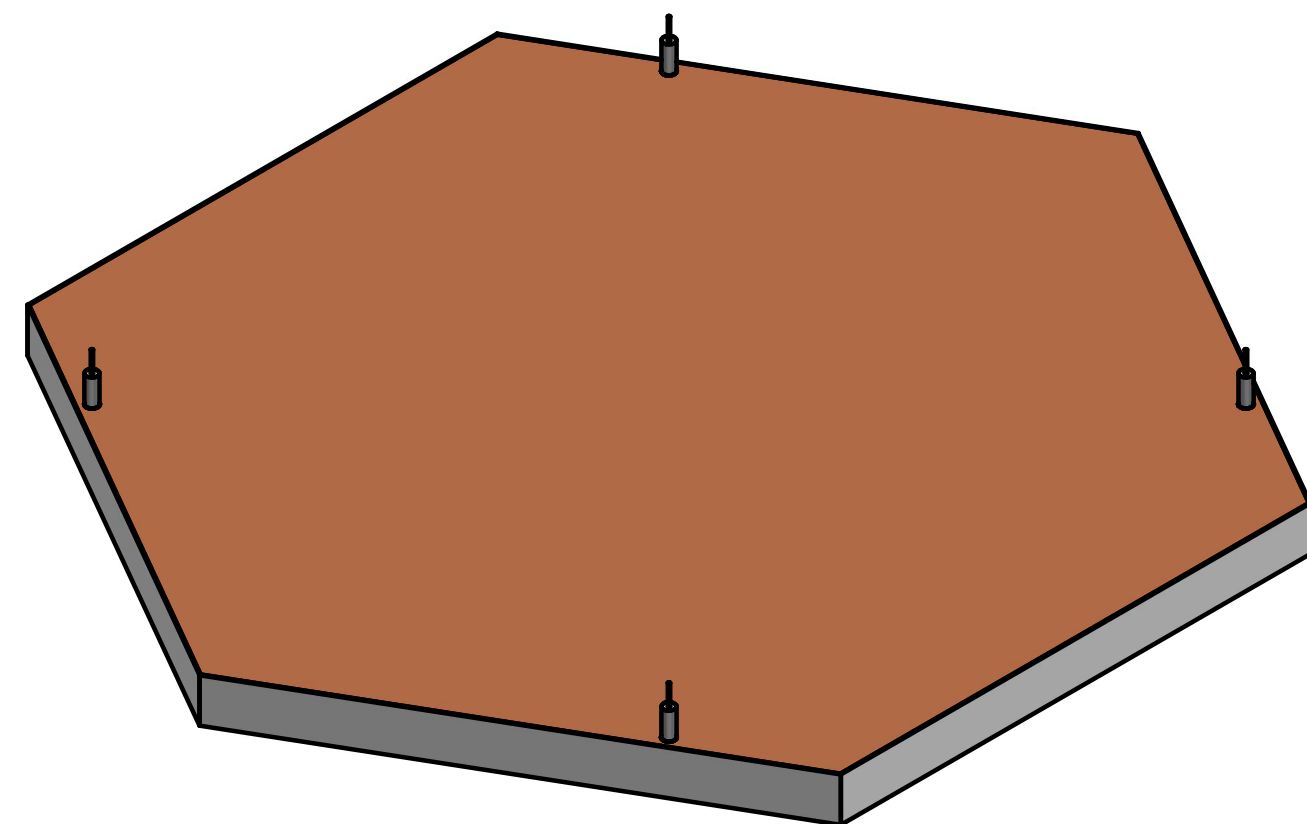
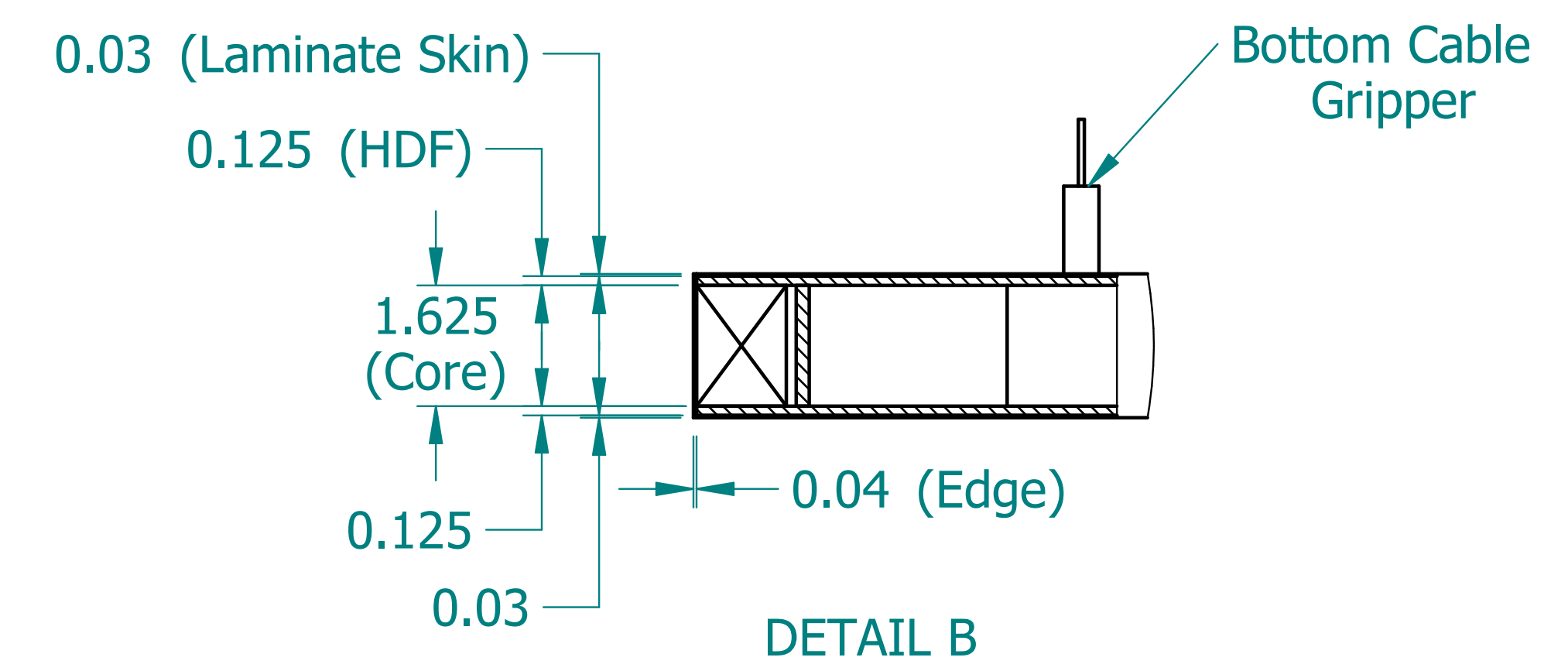
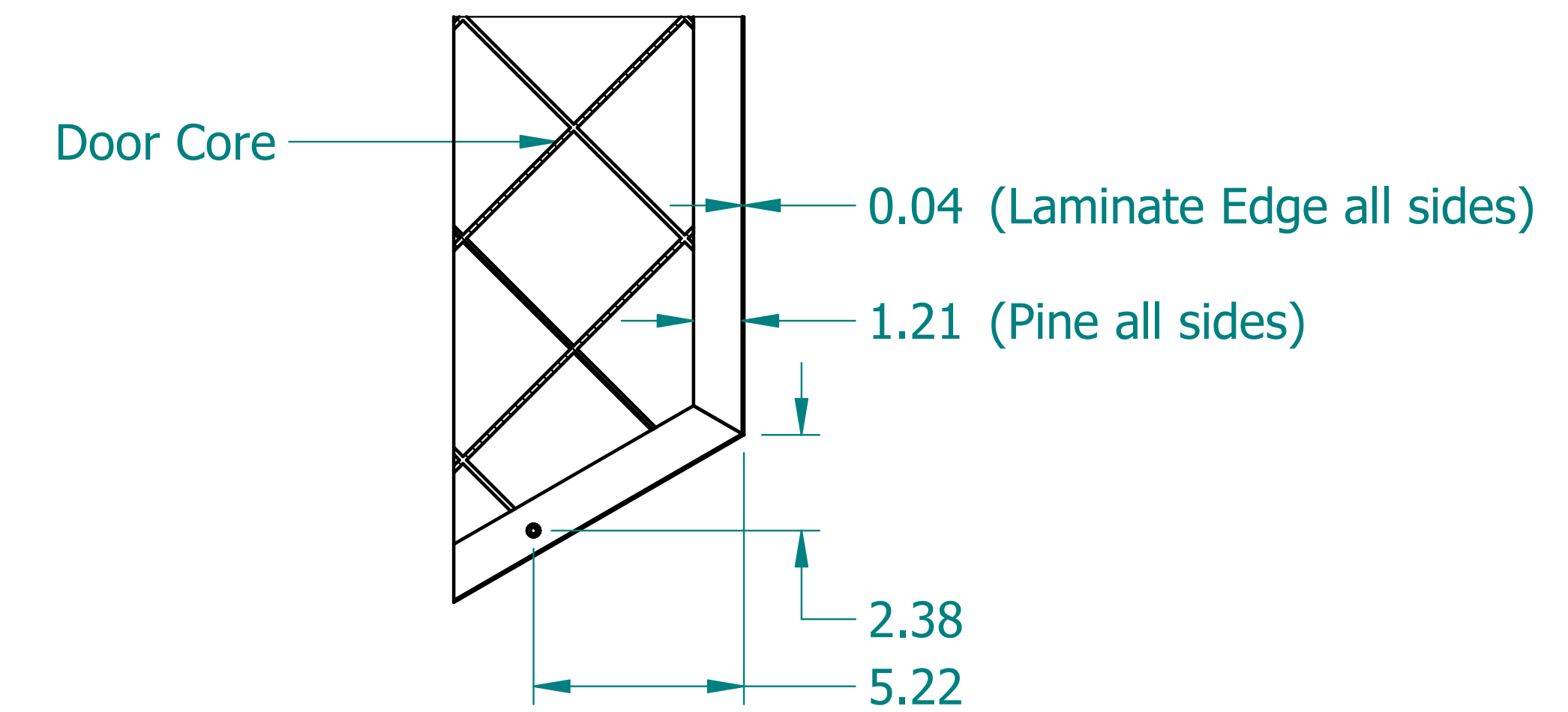


REVISION HISTORY			
REV.	DESCRIPTION	DATE	APPROVED



SECTION A-A



NAME	DATE	ALTISPACE	
DRAWN: SAI	03/03/20		
ENG APPR: ERIC	03/03/20		
<p>UNLESS OTHERWISE SPECIFIED DIMENSIONS ARE IN 'INCHES' ANGLES $\pm 0.8^\circ$; 2 PL ± 0.040 ; 3 PL ± 0.020</p>		TITLE: Laminate Shape: Hexagon SUBTITLE: 42"x42"x2" PART NO: Shape-3-04-XX REV: 1.0 SIZE: 34"x22" SCALE: 0.17 SHEET 1 OF 1 FILE NAME: Laminated Hexagon (42.42.2).dft	