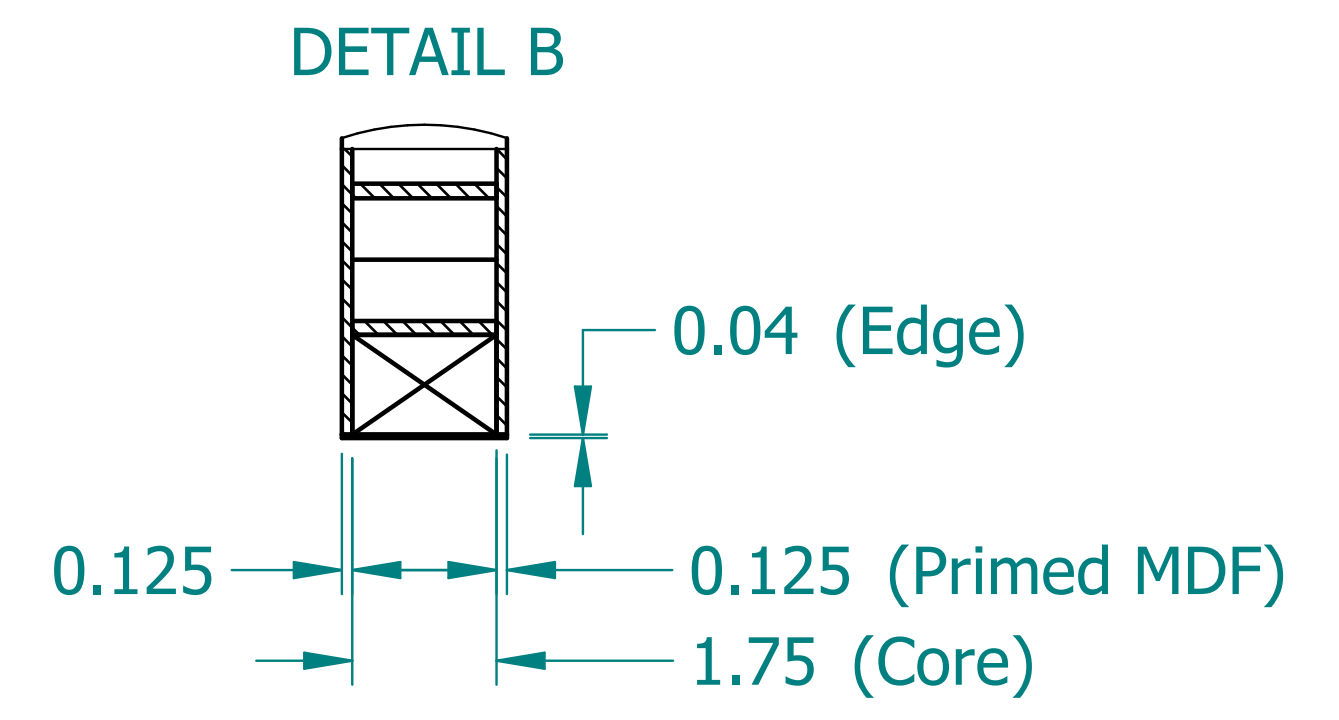
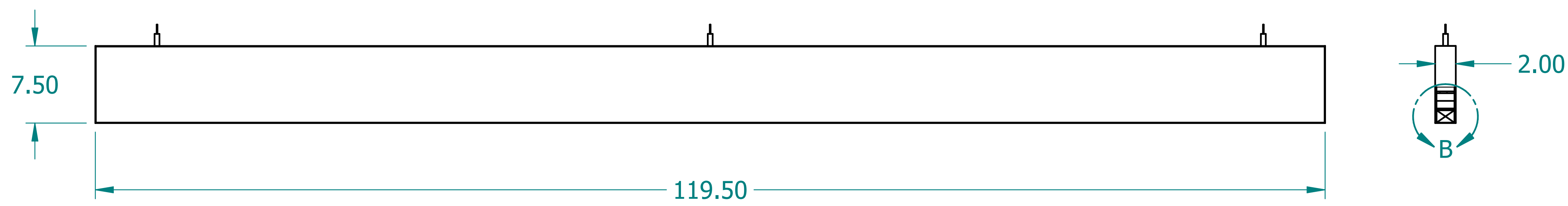
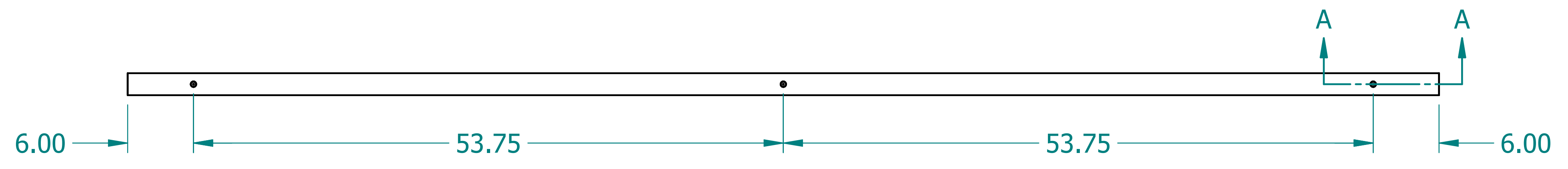
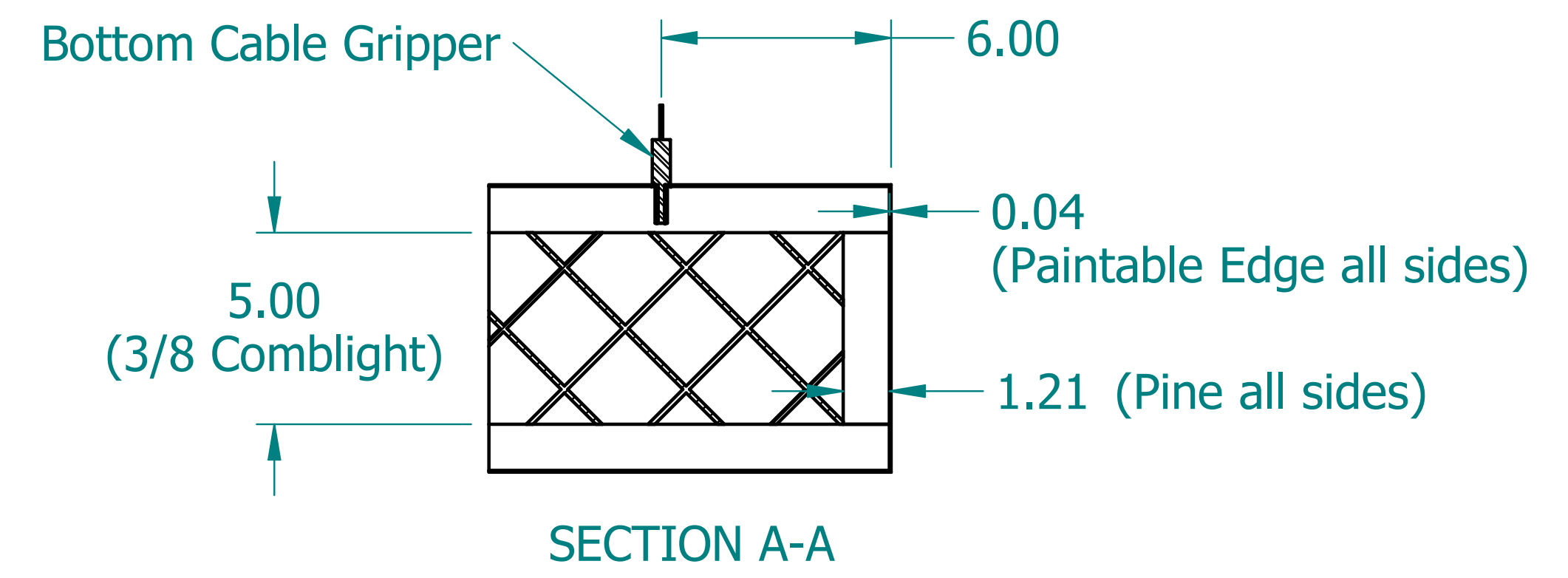
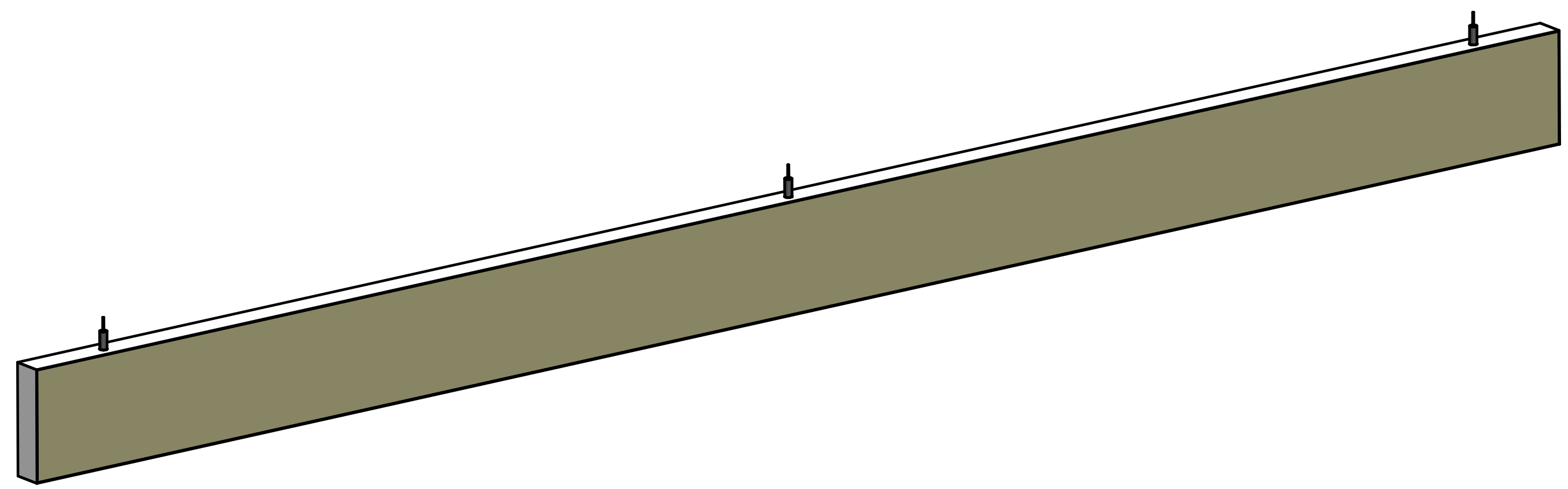


| REVISION HISTORY |             |      |          |
|------------------|-------------|------|----------|
| REV.             | DESCRIPTION | DATE | APPROVED |
|                  |             |      |          |



|   |          |   |
|---|----------|---|
| NAME  | DATE     |   |
| DRAWN: SAI  | 03/11/20 |   |
| ENG APPR: ERIC  | 03/11/20 |   |
|   |          | TITLE: Paintable Beam                   |
| UNLESS OTHERWISE SPECIFIED DIMENSIONS ARE IN 'INCHES' |          | SUBTITLE: 120"x8"x2"                    |
| ANGLES ±0.8° ; 2 PL ±0.040 ; 3 PL ±0.020              |          | PART NO: Beam-098-PG REV. 1.0           |
|   |          | SIZE: 34"x22" SCALE: 0.14 SHEET 1 OF 1  |
|   |          | FILE NAME: Paintable Beam (120.8.2).dft |