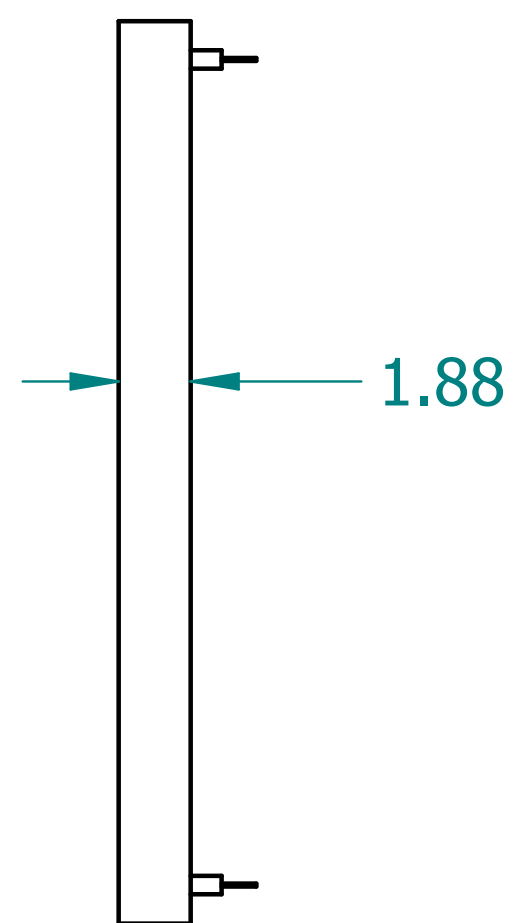
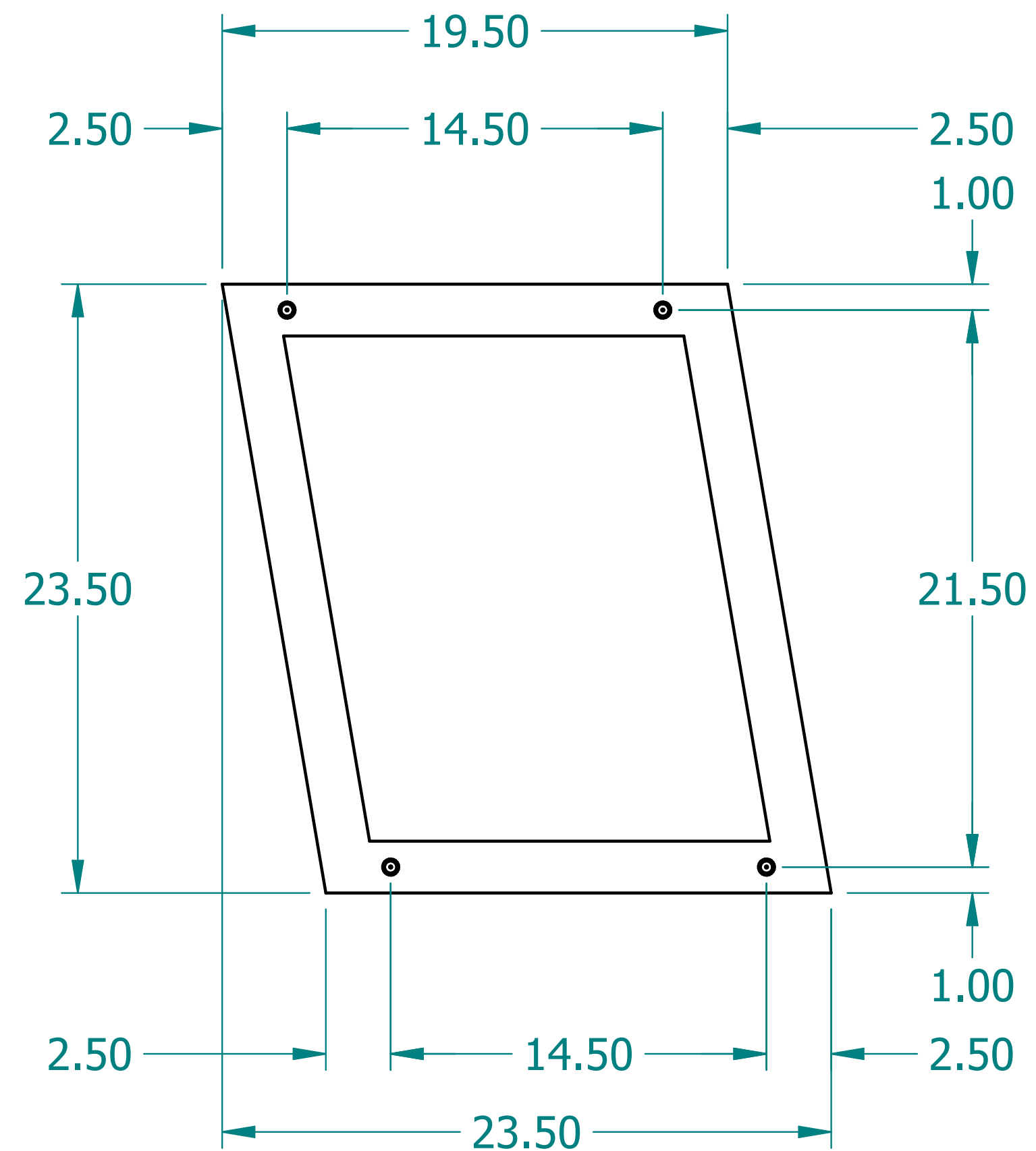
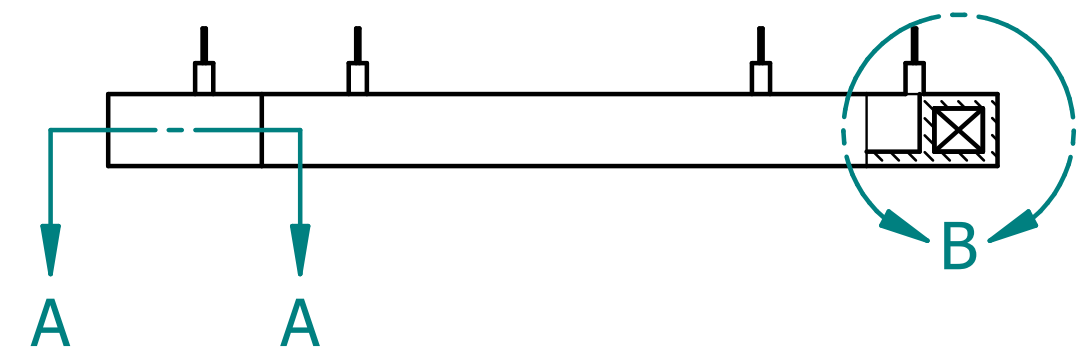
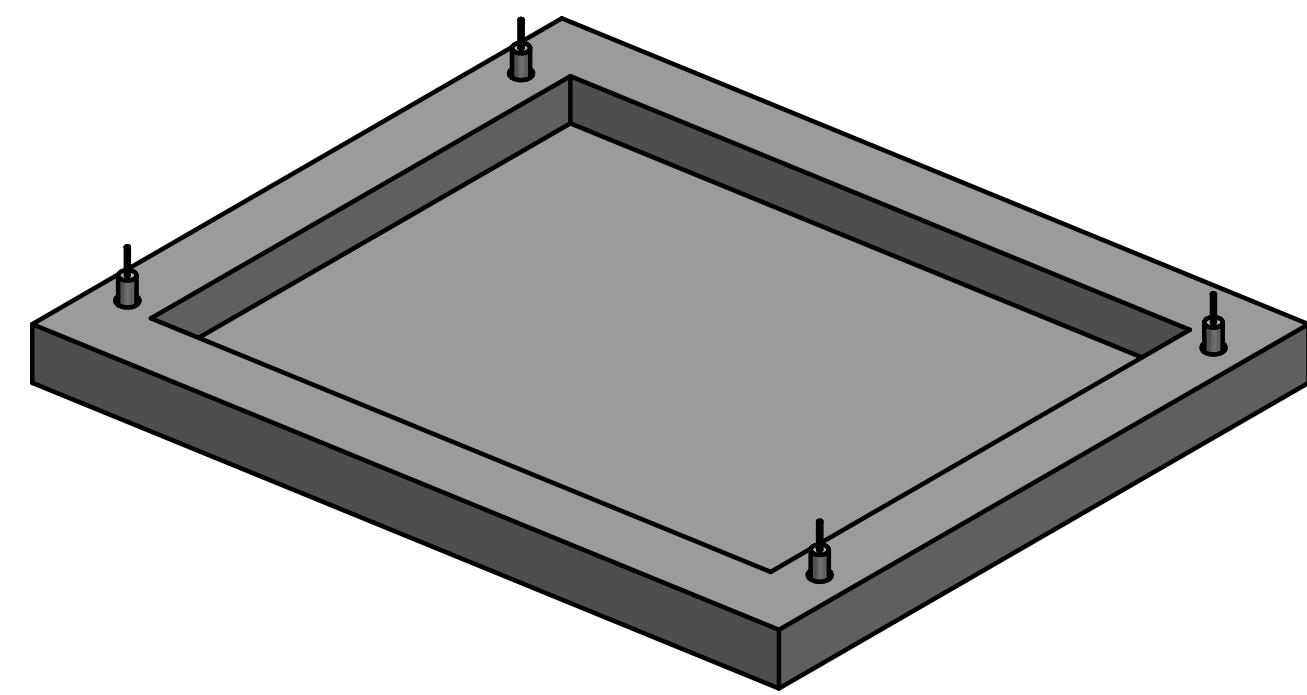
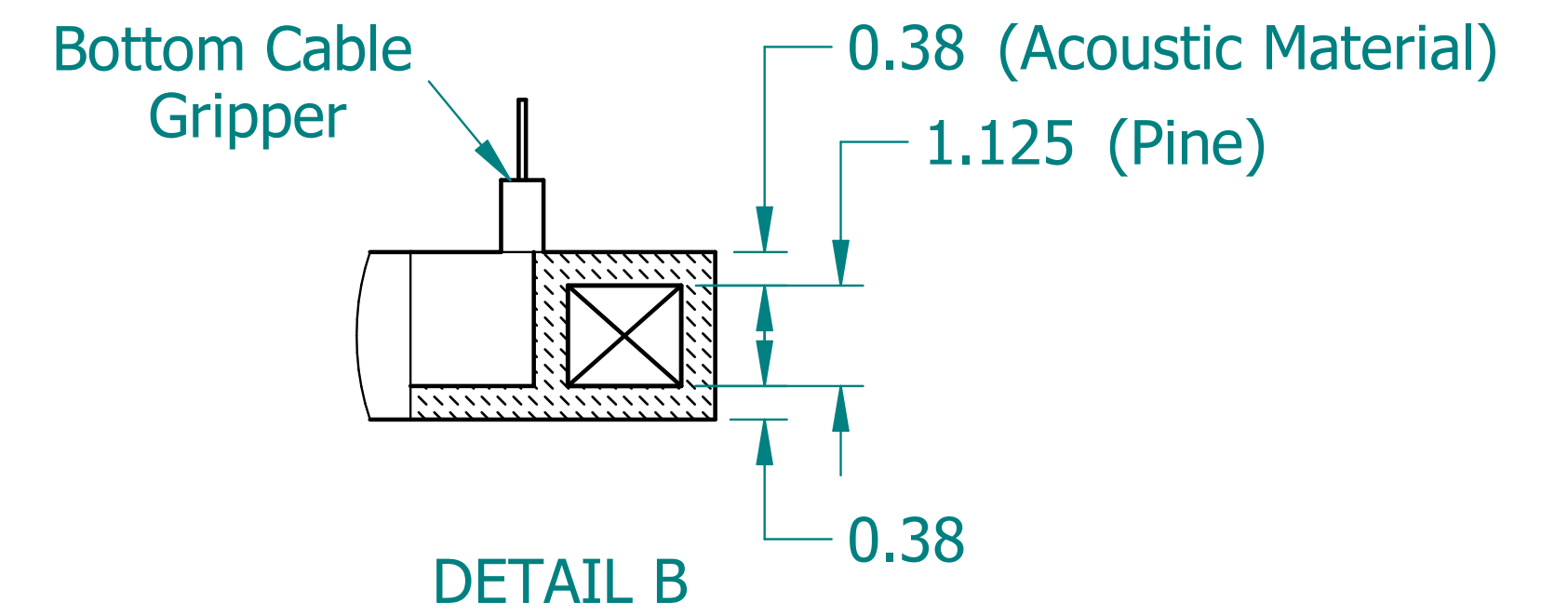
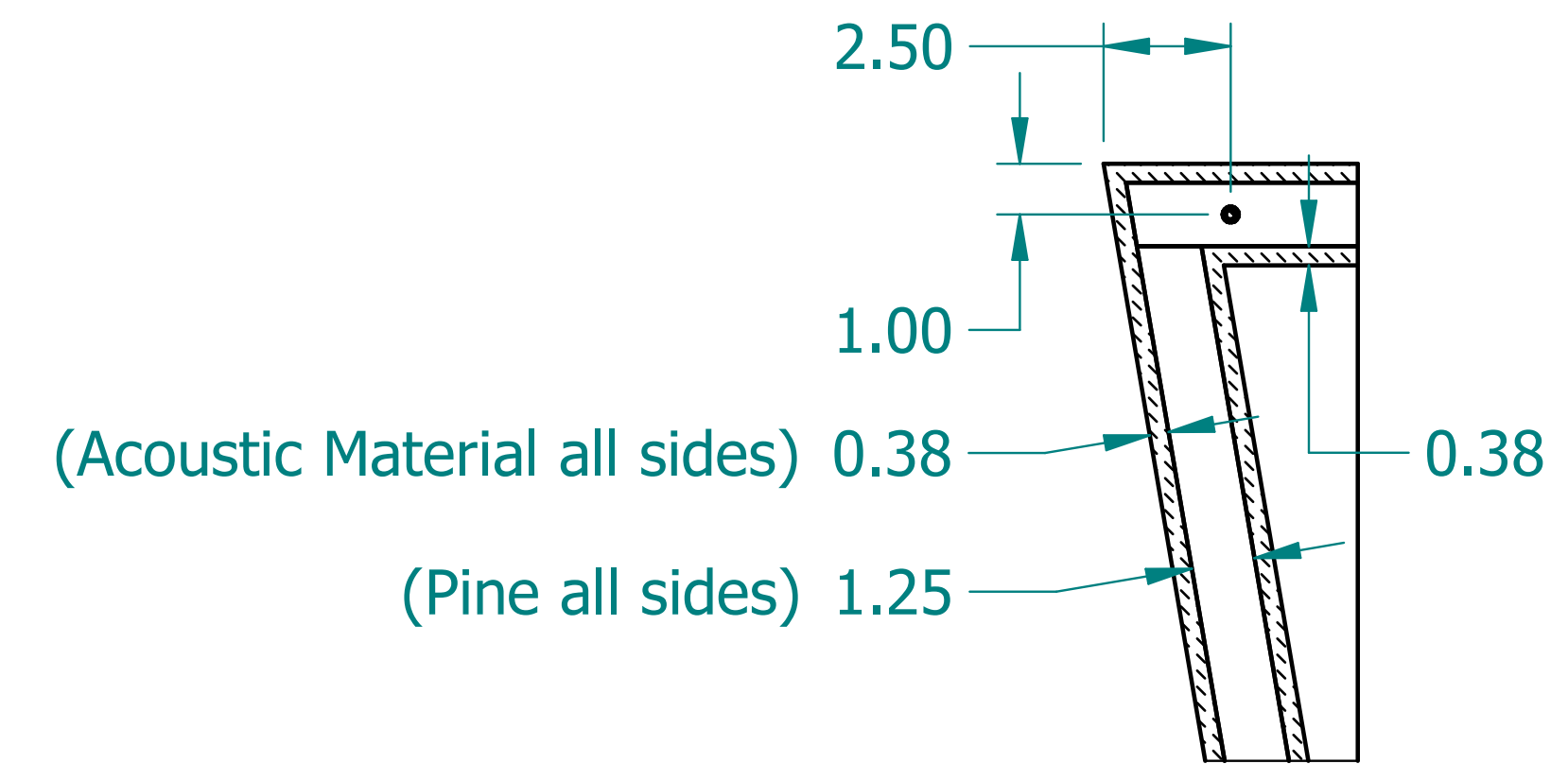


REVISION HISTORY			
REV.	DESCRIPTION	DATE	APPROVED



SECTION A-A



NAME	DATE	ALTISPACE	
DRAWN: SAI	05/05/20		
ENG APPR: ERIC	05/05/20		
<p>UNLESS OTHERWISE SPECIFIED DIMENSIONS ARE IN 'INCHES'</p> <p>ANGLES <math>\pm 0.8^\circ</math> ; 2 PL <math>\pm 0.040</math> ; 3 PL <math>\pm 0.020</math></p>		TITLE: Acoustic Shape: Left Parallelogram	
		SUBTITLE: 24"x24"x2	
		PART NO: AShape-5-01-XX	REV: 1.0
		SIZE: 34"x22"	SCALE: 0.20
FILE NAME: Left Parallelogram (24.24.2).dft			