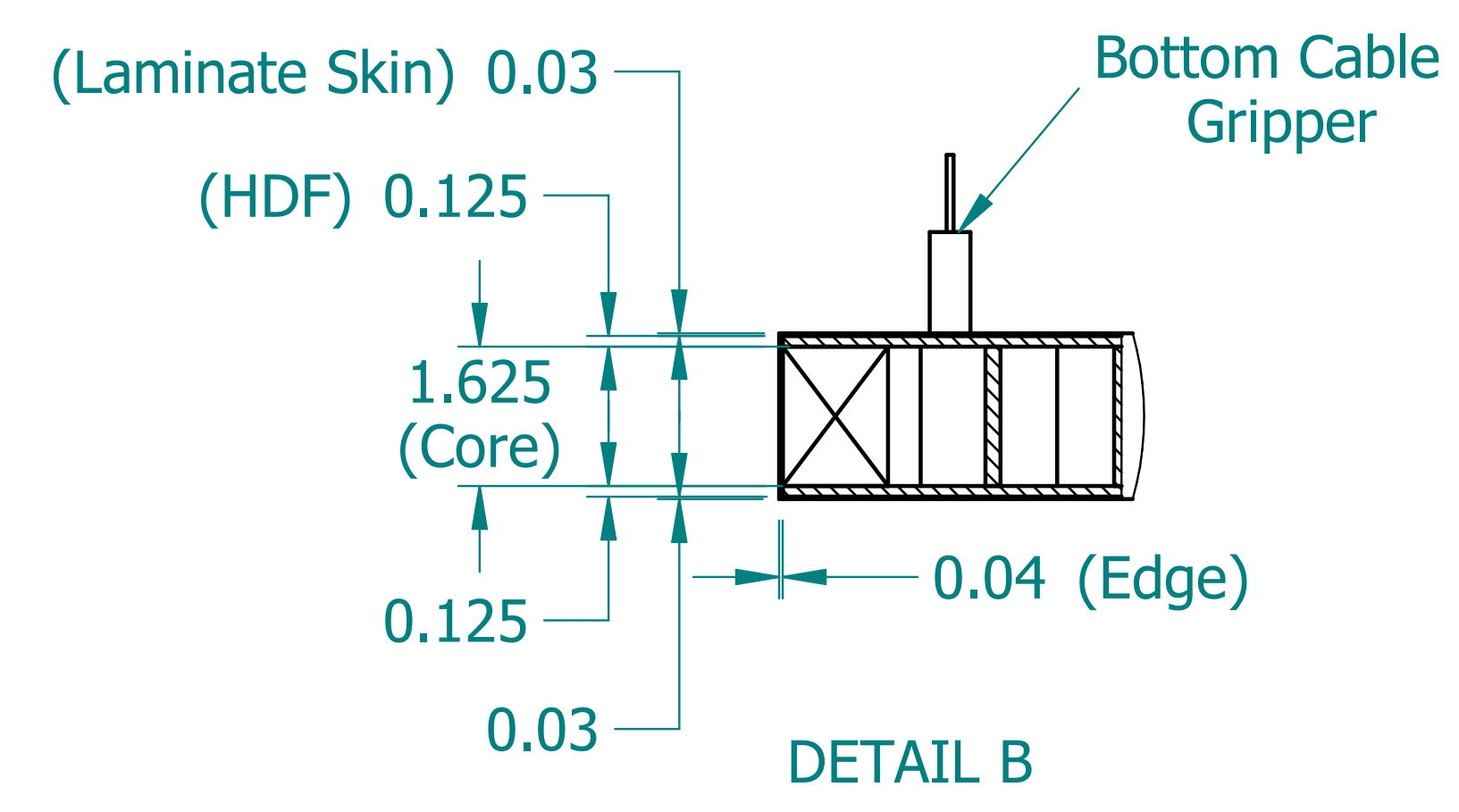
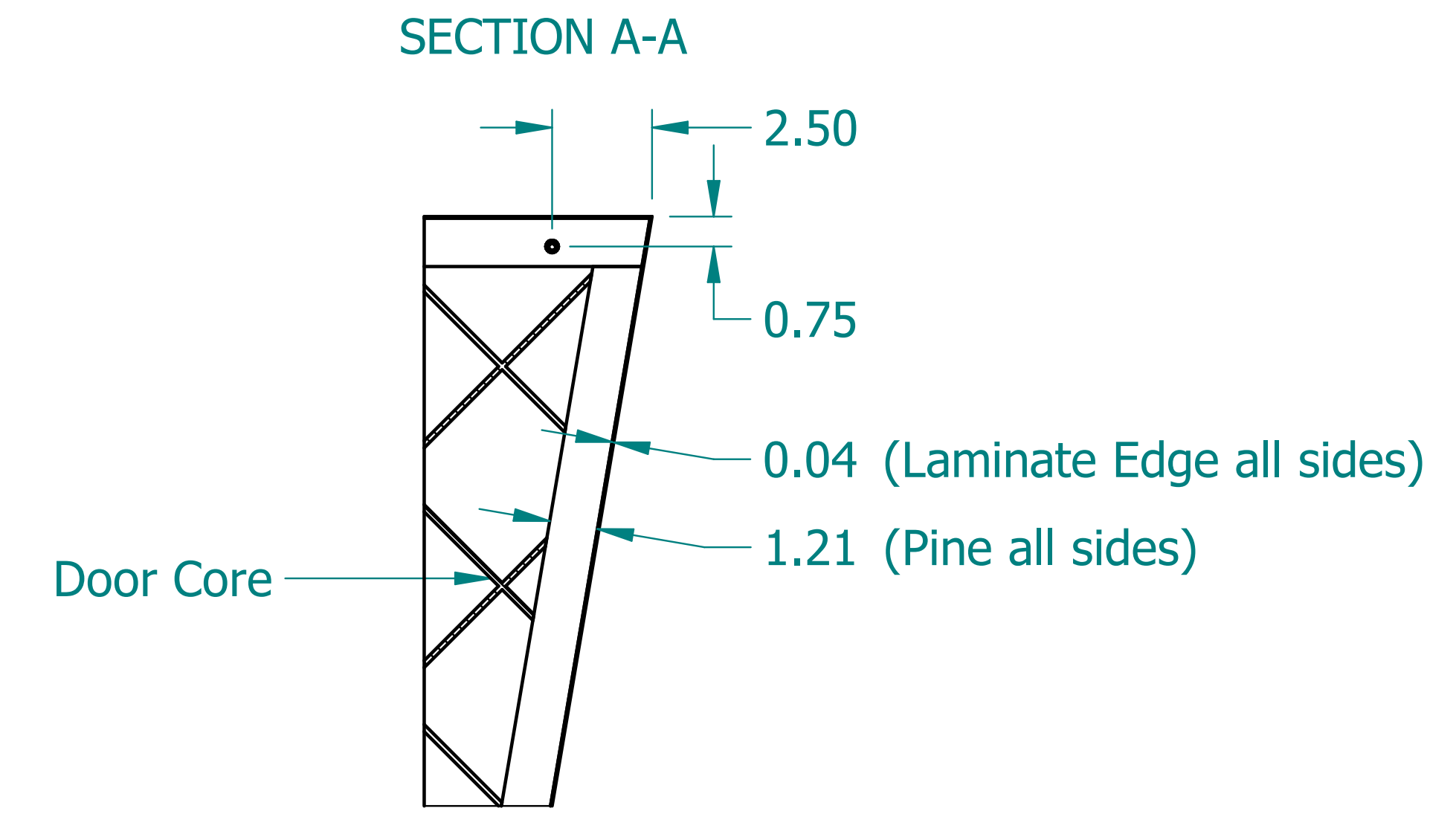
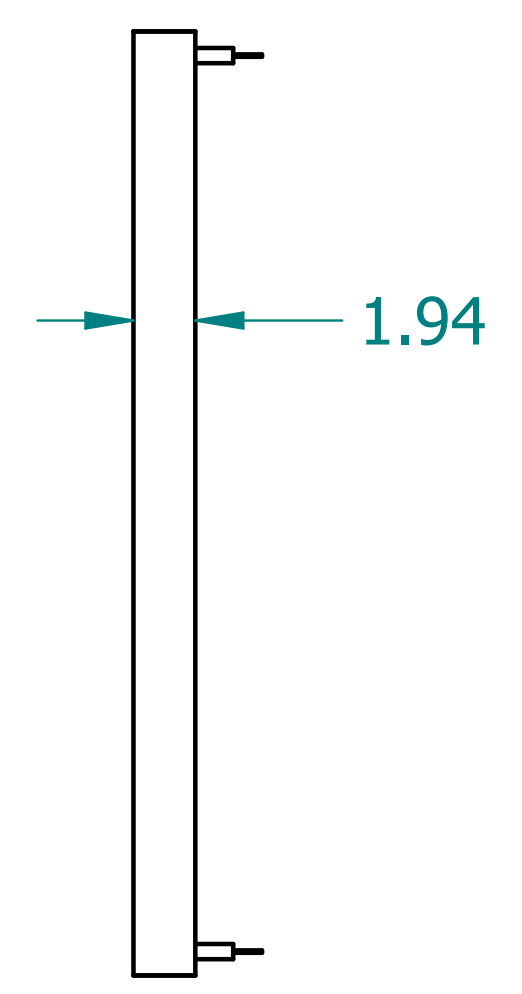
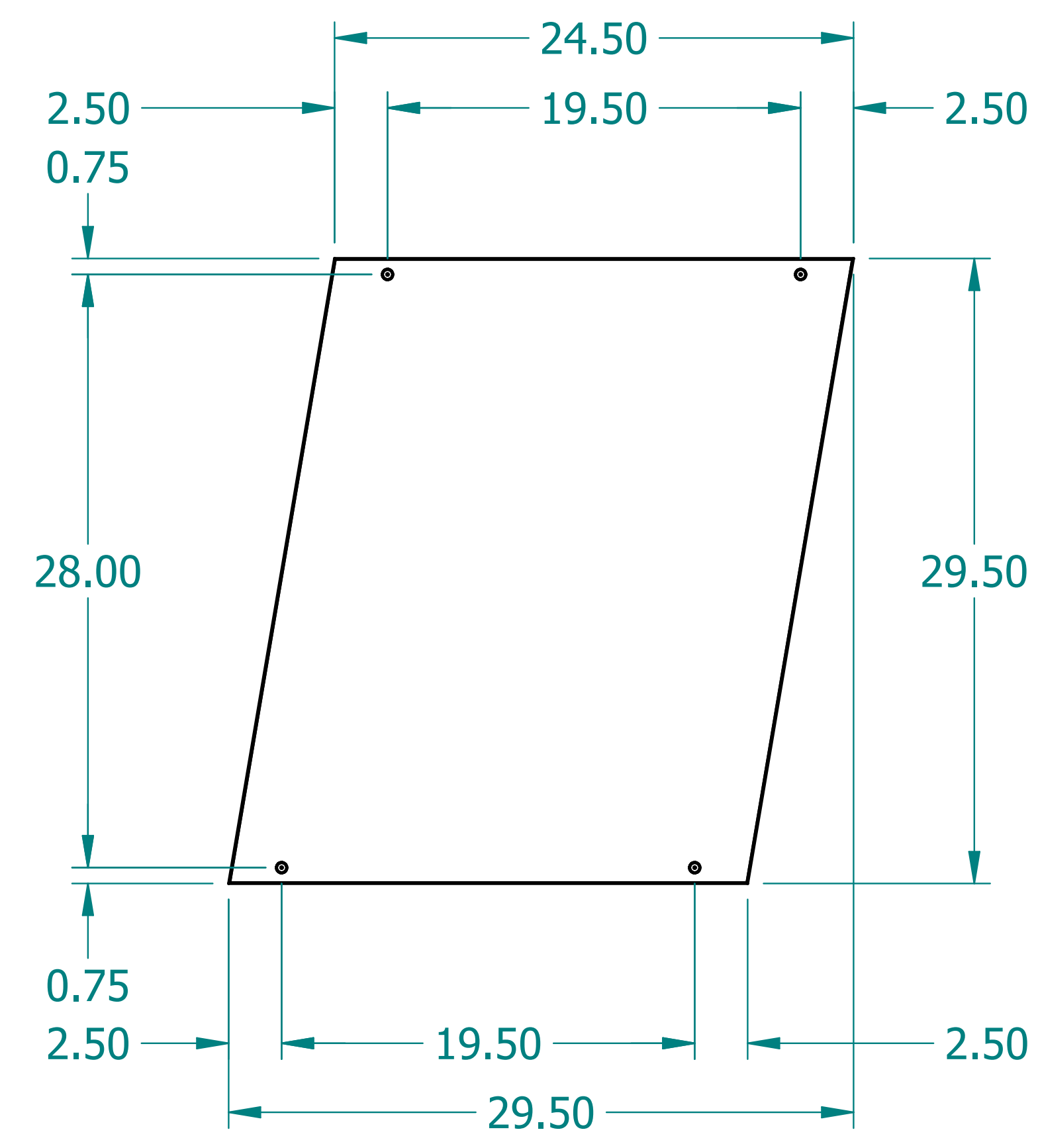
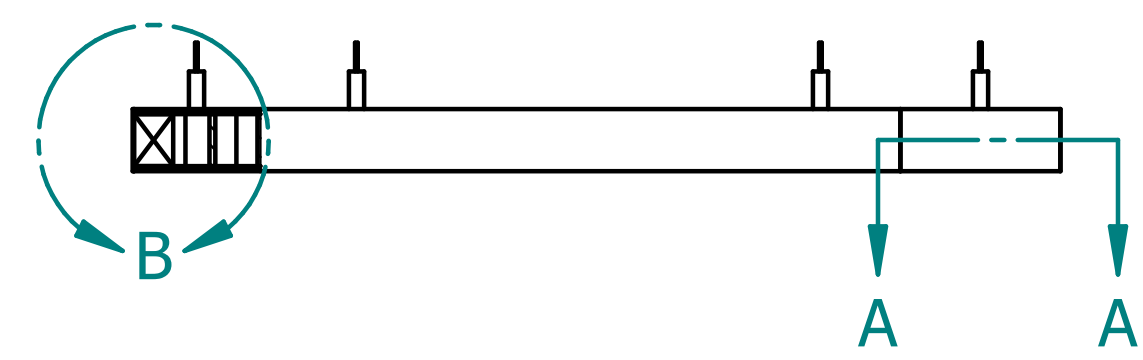
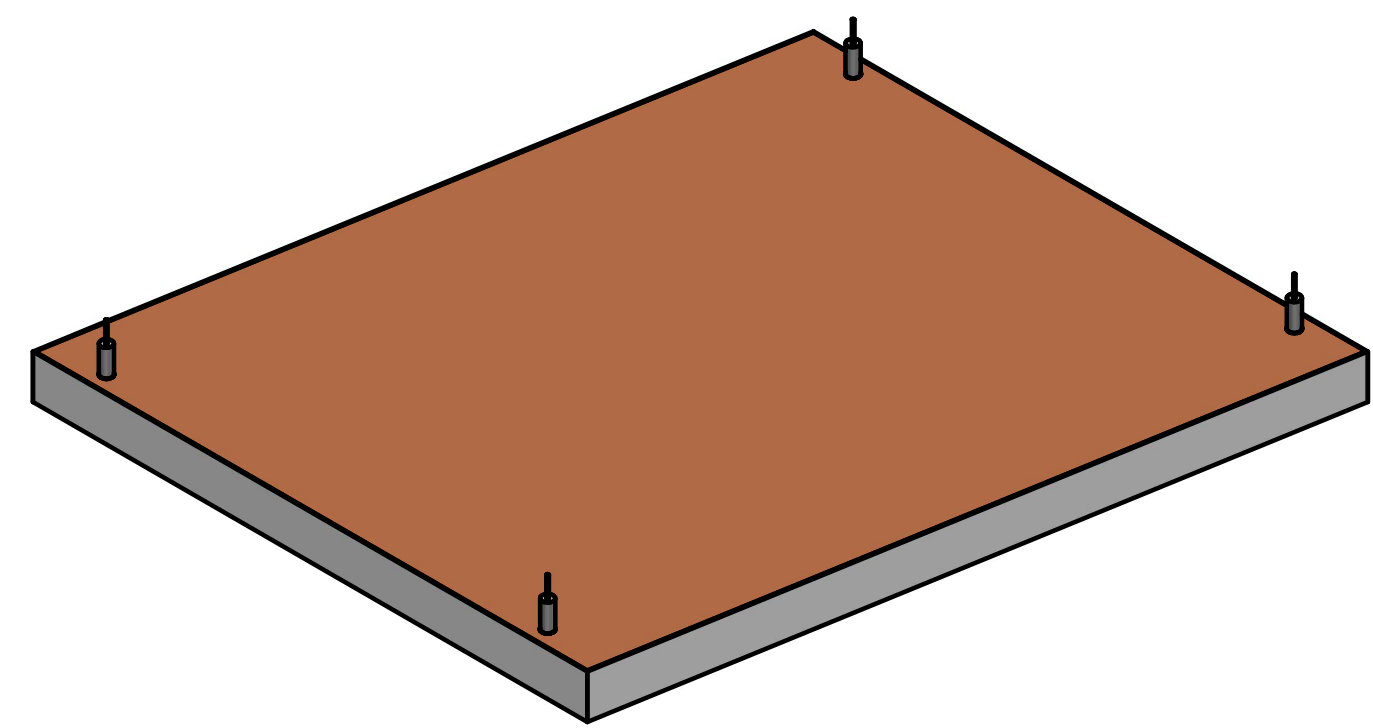


REVISION HISTORY			
REV.	DESCRIPTION	DATE	APPROVED



NAME	DATE	
DRAWN: SAI	05/05/20	
ENG APPR: ERIC	05/05/20	
		TITLE Laminate Shape: Right Parallelogram
UNLESS OTHERWISE SPECIFIED DIMENSIONS ARE IN 'INCHES' ANGLES $\pm 0.8^\circ$; 2 PL ± 0.040 ; 3 PL ± 0.020		SUBTITLE 30"x30"x2"
SIZE: 34"x22" SCALE: 0.17 SHEET 1 OF 1		PART NO: Shape-6-02-XX REV. 1.0
FILE NAME: Right Parallelogram (30.30.2).dft		