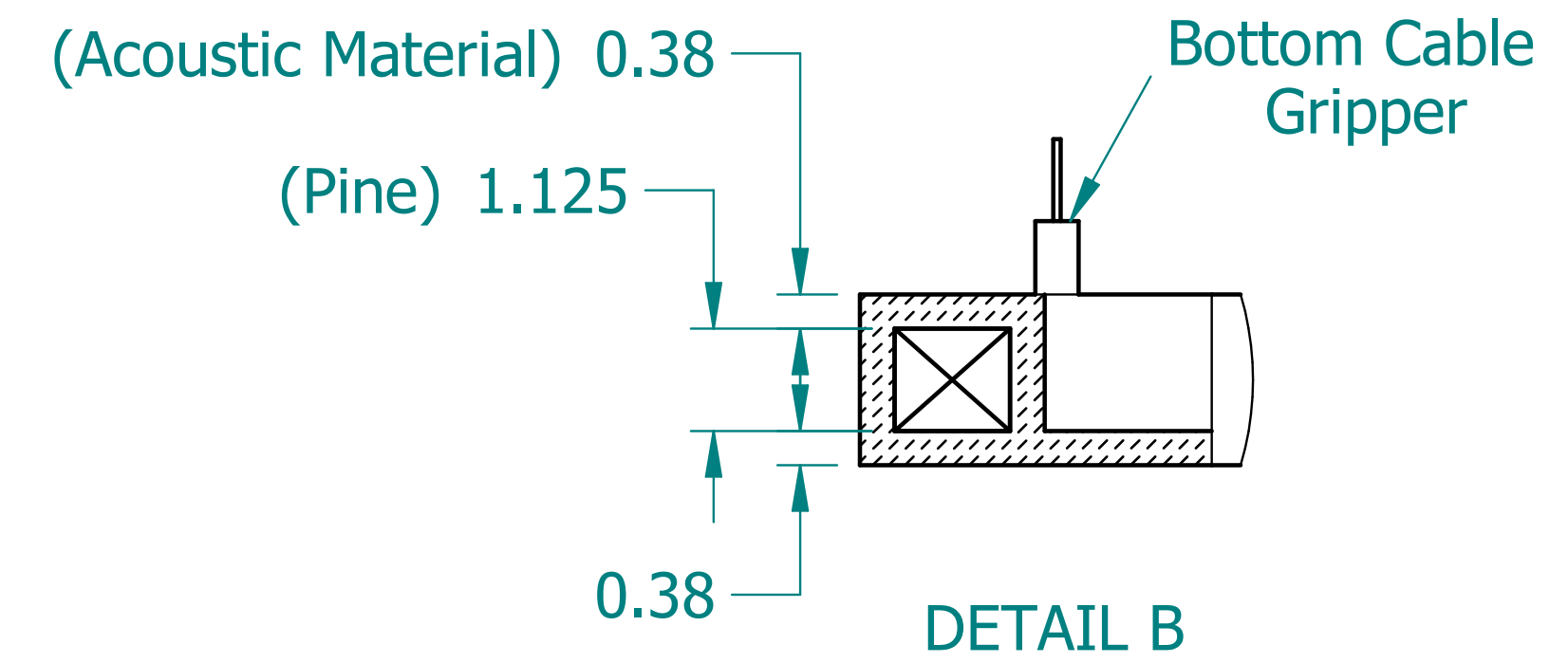
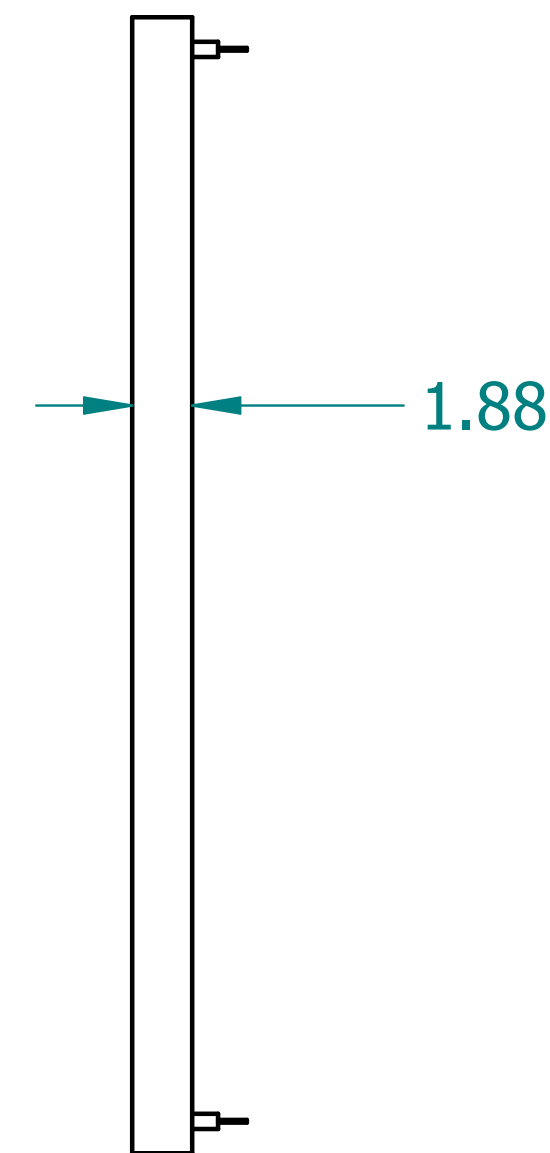
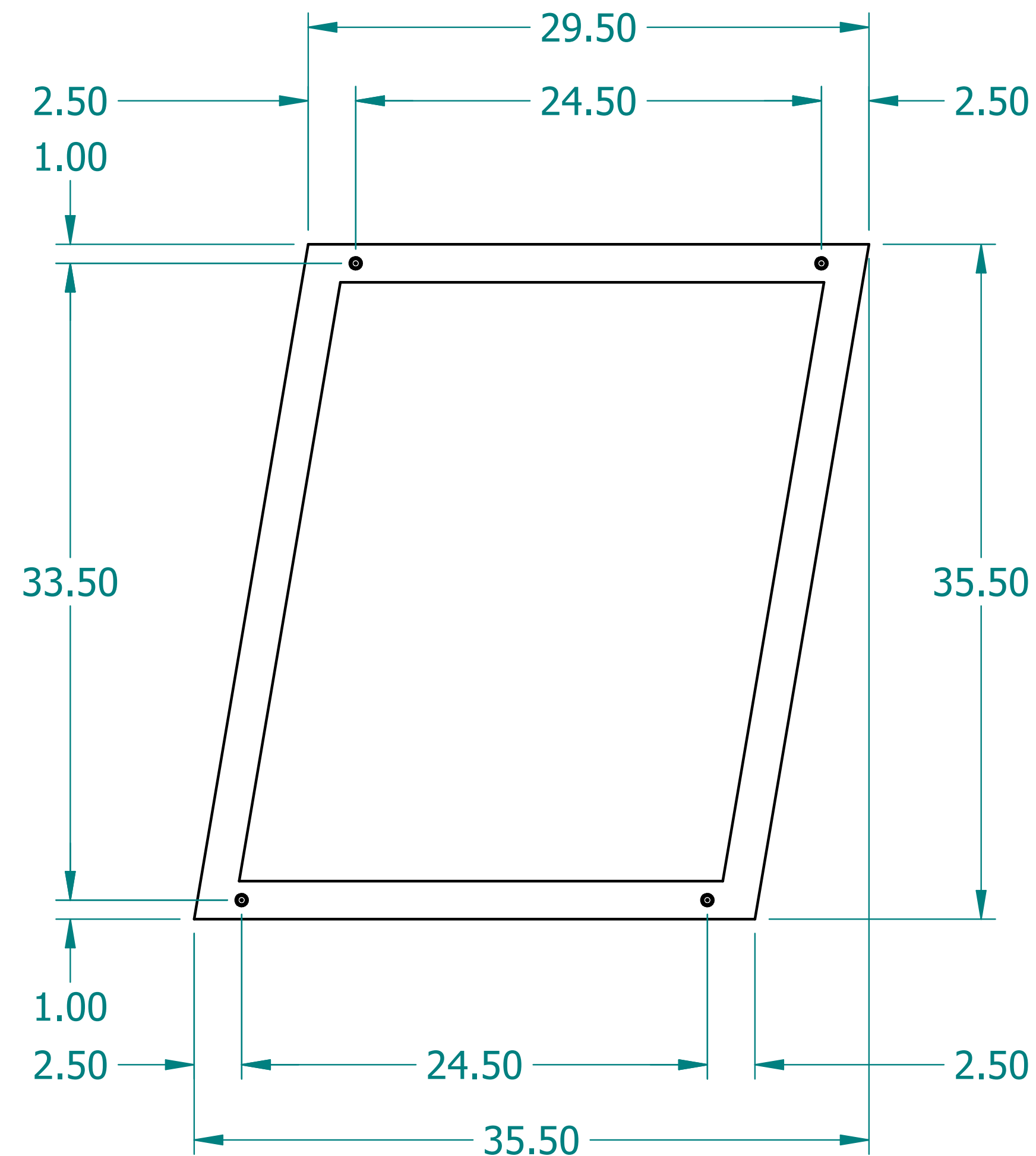
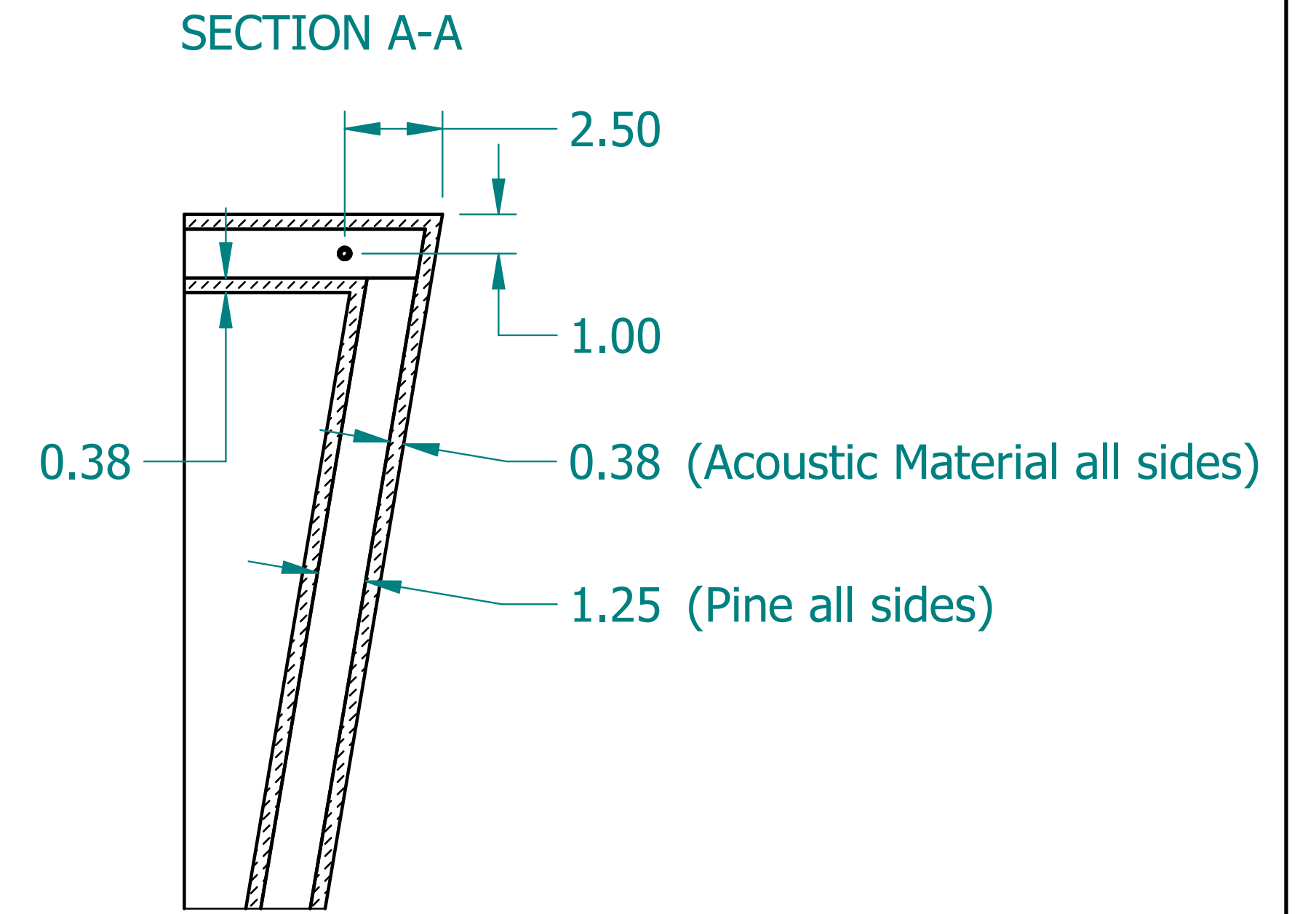
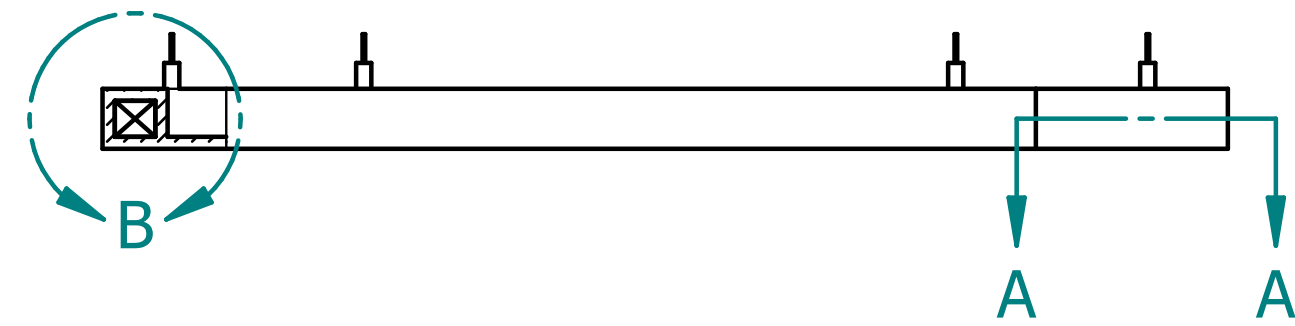
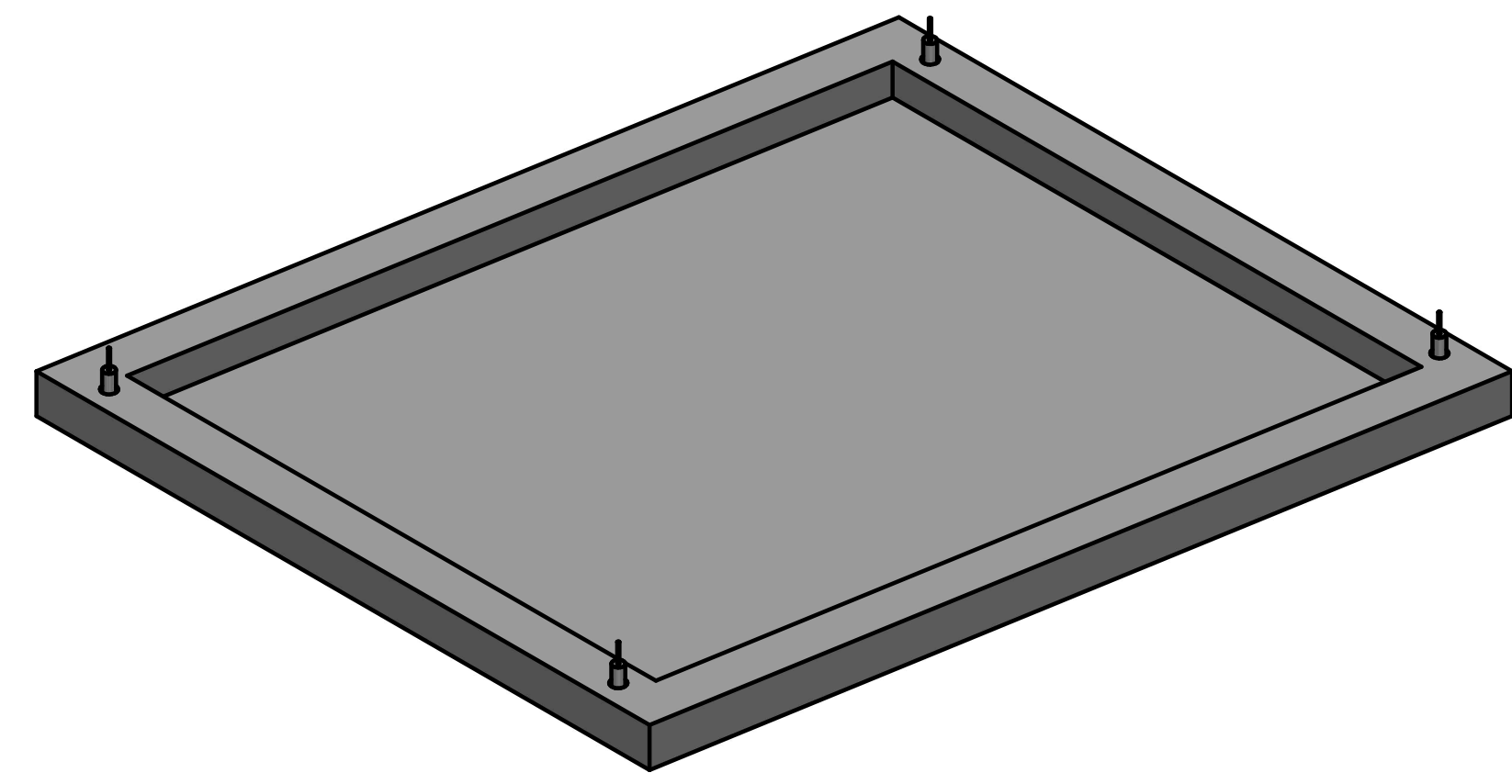


REVISION HISTORY			
REV.	DESCRIPTION	DATE	APPROVED



NAME	DATE	ALTISPACE	
DRAWN: SAI	05/05/20		
ENG APPR: ERIC	05/05/20		
 UNLESS OTHERWISE SPECIFIED DIMENSIONS ARE IN 'INCHES' ANGLES $\pm 0.8^\circ$; 2 PL ± 0.040 ; 3 PL ± 0.020		TITLE: Acoustic Shape: Right Parallelogram	
		SUBTITLE: 36"x36"x2"	
		PART NO: AShape-6-03-XX	REV: 1.0
		SIZE: 34"x22"	SCALE: 0.17
FILE NAME: Right Parallelogram (36.36.2).dft			