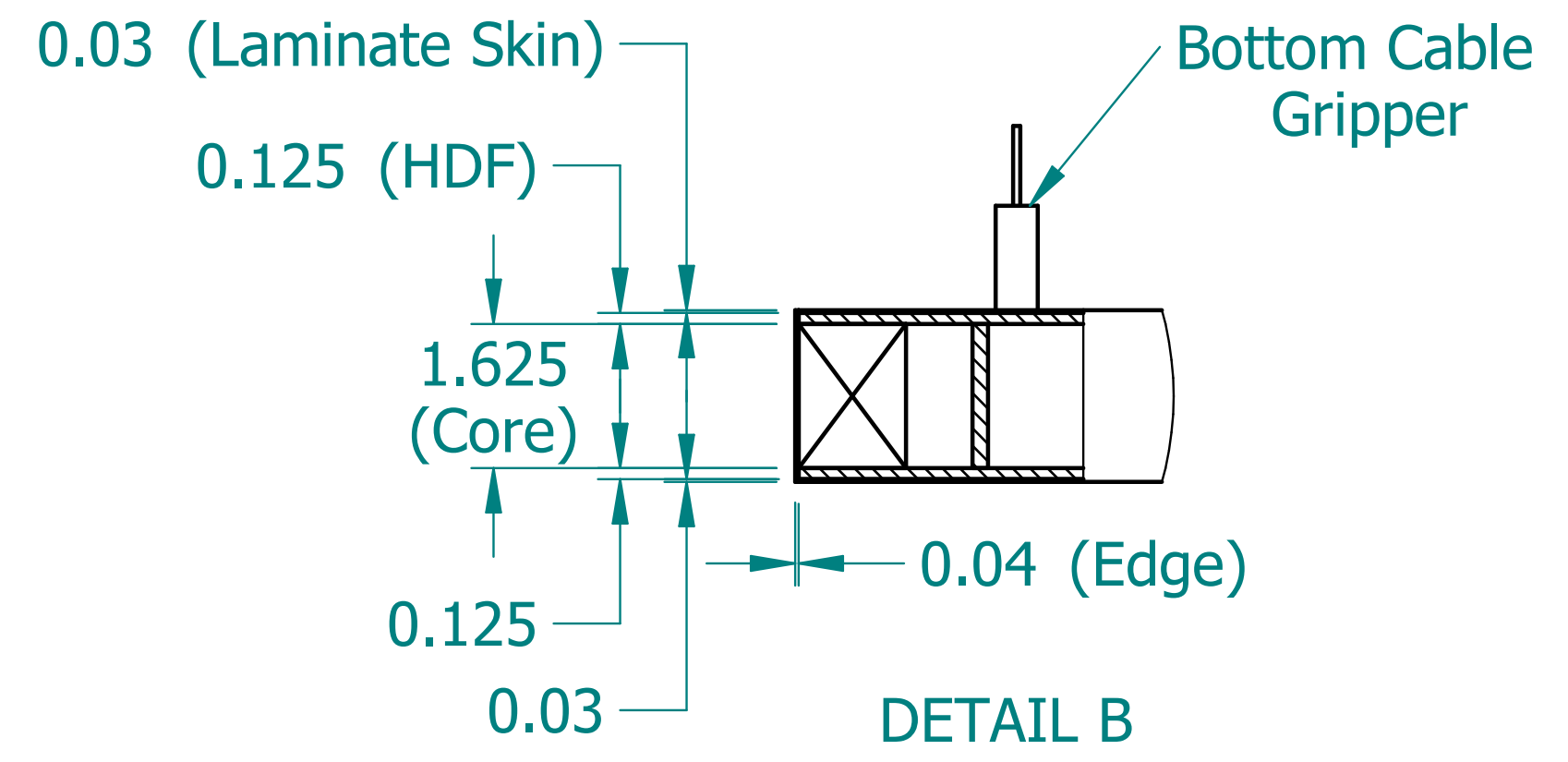
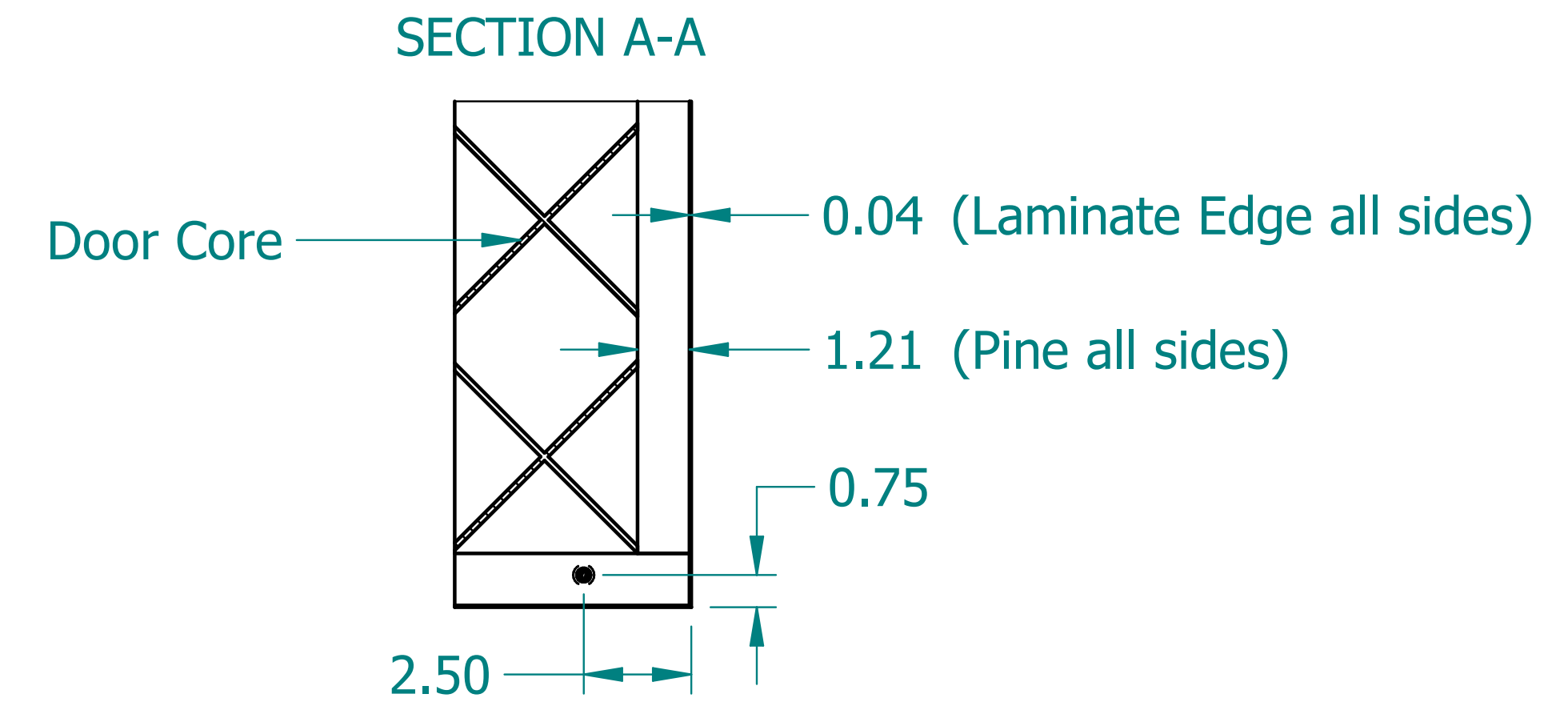
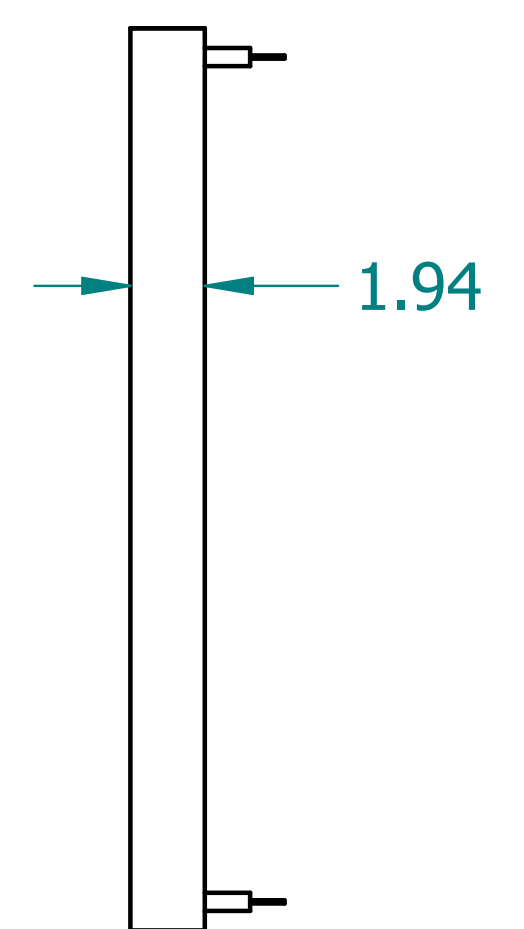
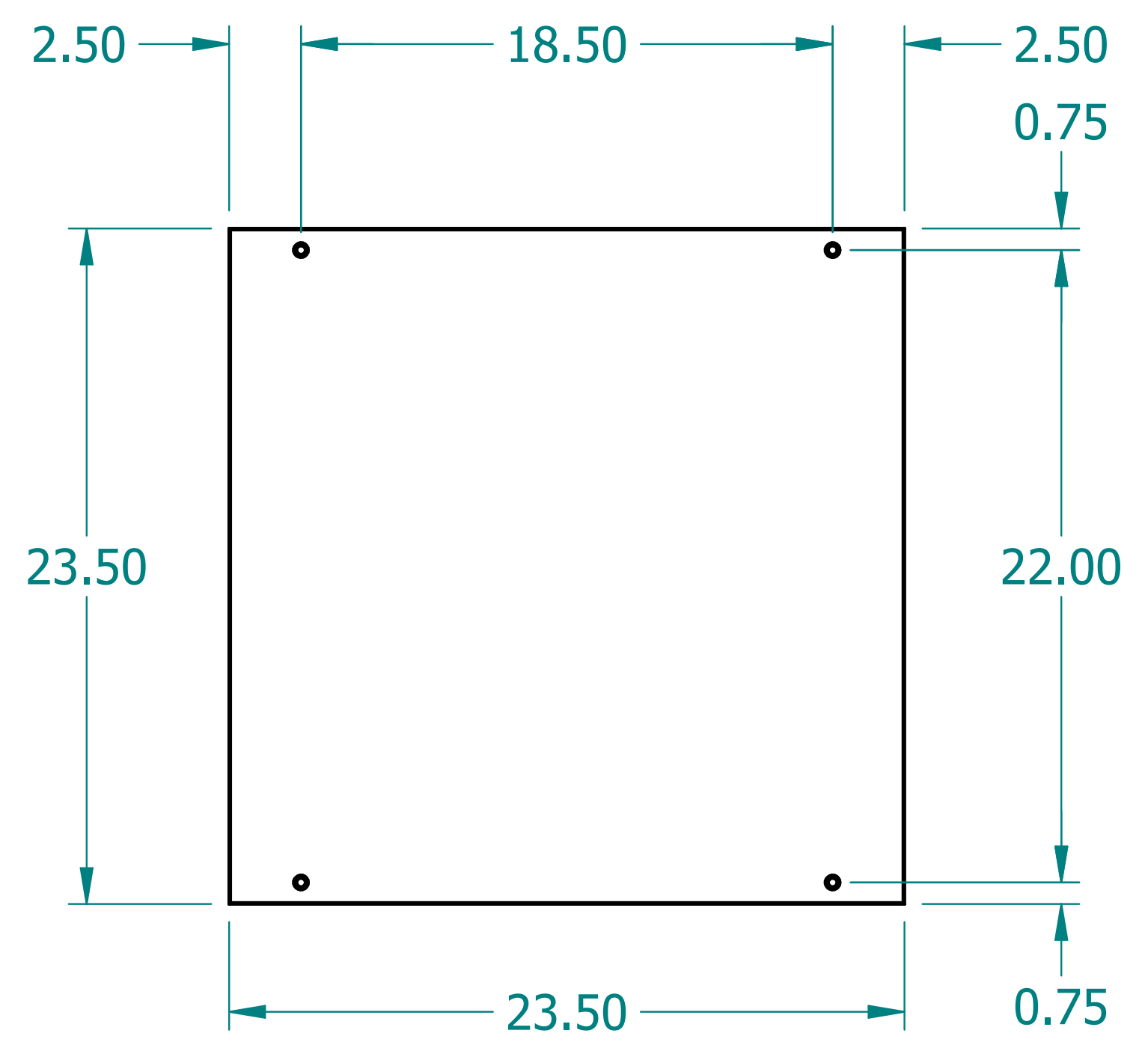
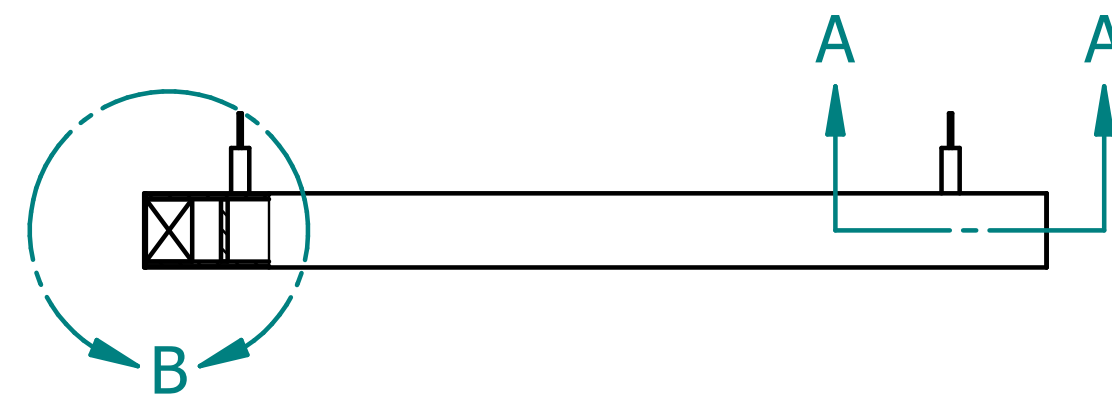
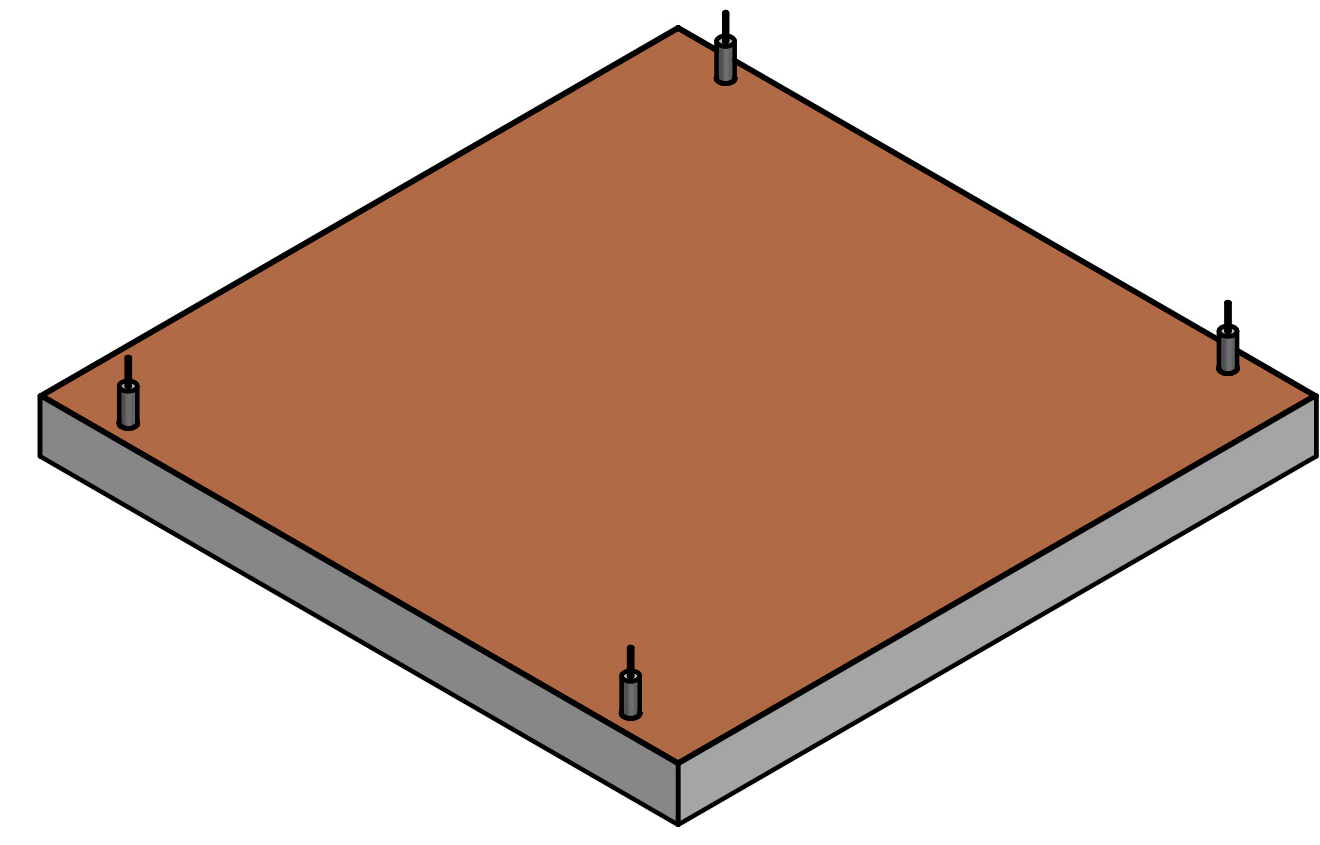
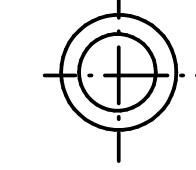


REVISION HISTORY			
REV.	DESCRIPTION	DATE	APPROVED



	NAME	DATE
DRAWN	SAI	03/03/20
ENG APPR	ERIC	03/03/20




 UNLESS OTHERWISE SPECIFIED
 DIMENSIONS ARE IN
'INCHES'
 ANGLES $\pm 0.8^\circ$; 2 PL ± 0.040 ;
 3 PL ± 0.020

TITLE		Laminate Shape: Square	
SUBTITLE		24"x24"x2"	
PART NO:	Shape-1-01-XX	REV.	1.0
SIZE: 34"x22"	SCALE: 0.20	SHEET 1 OF 1	
FILE NAME: Laminated Square (24.24.2).dft			