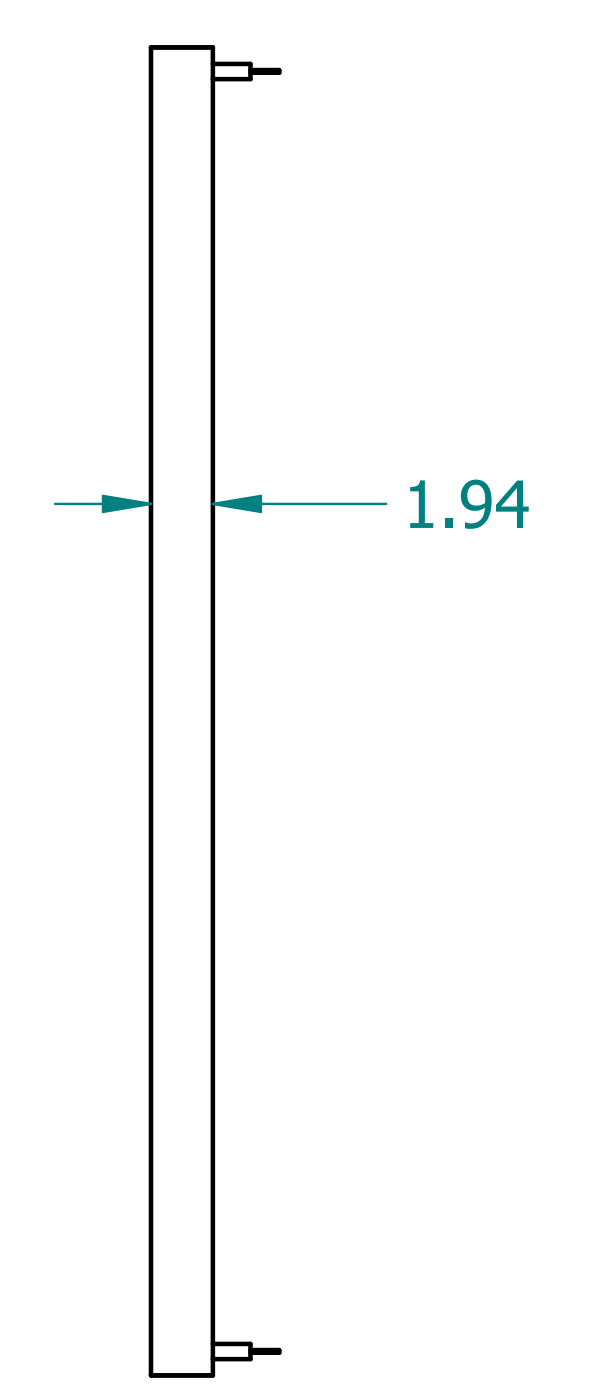
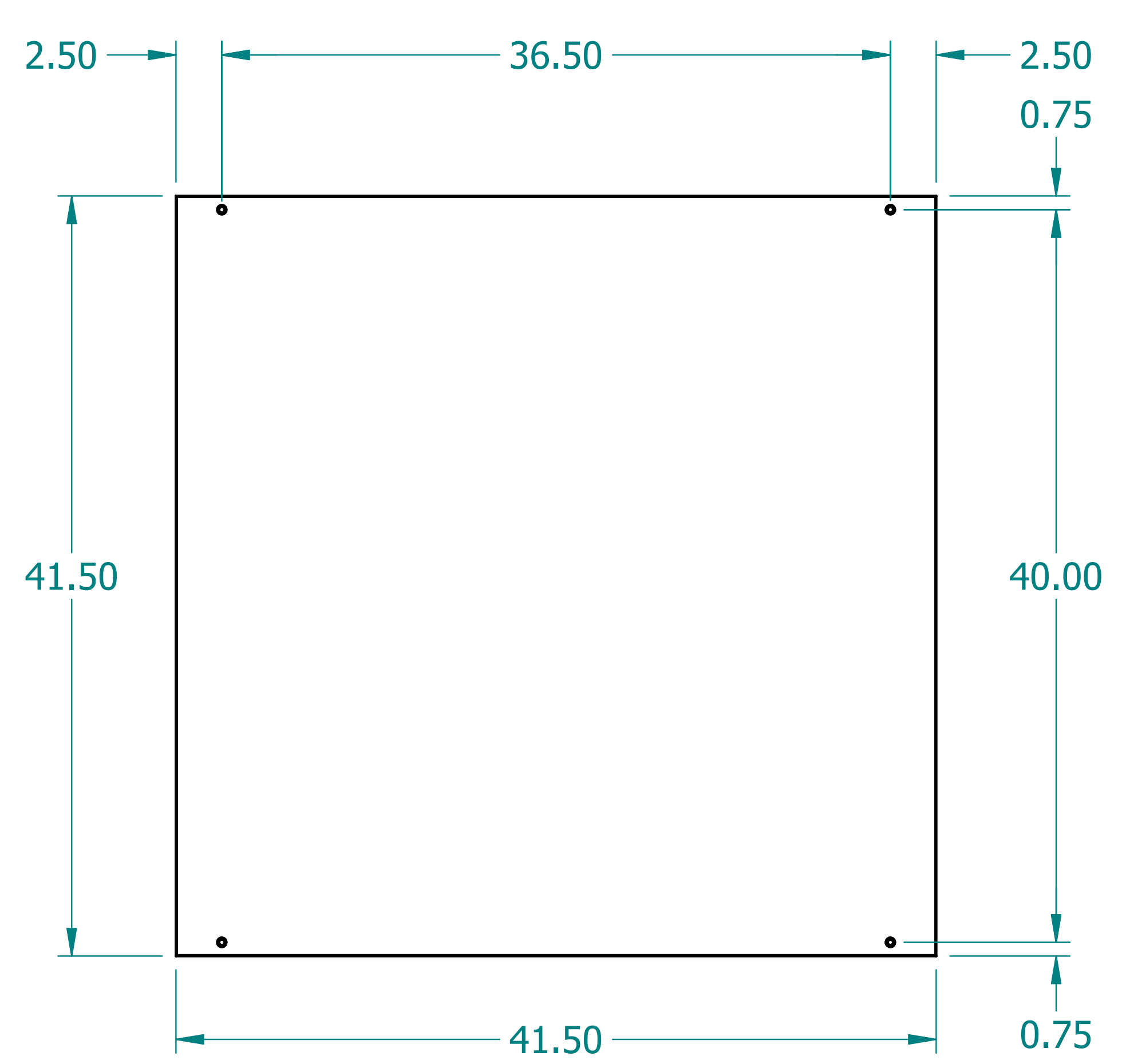
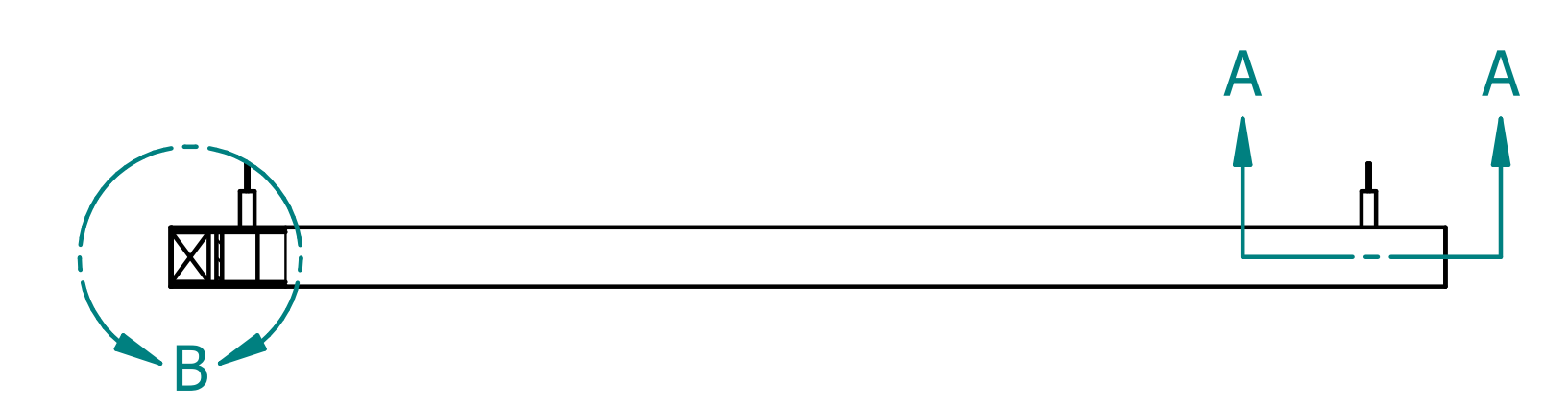
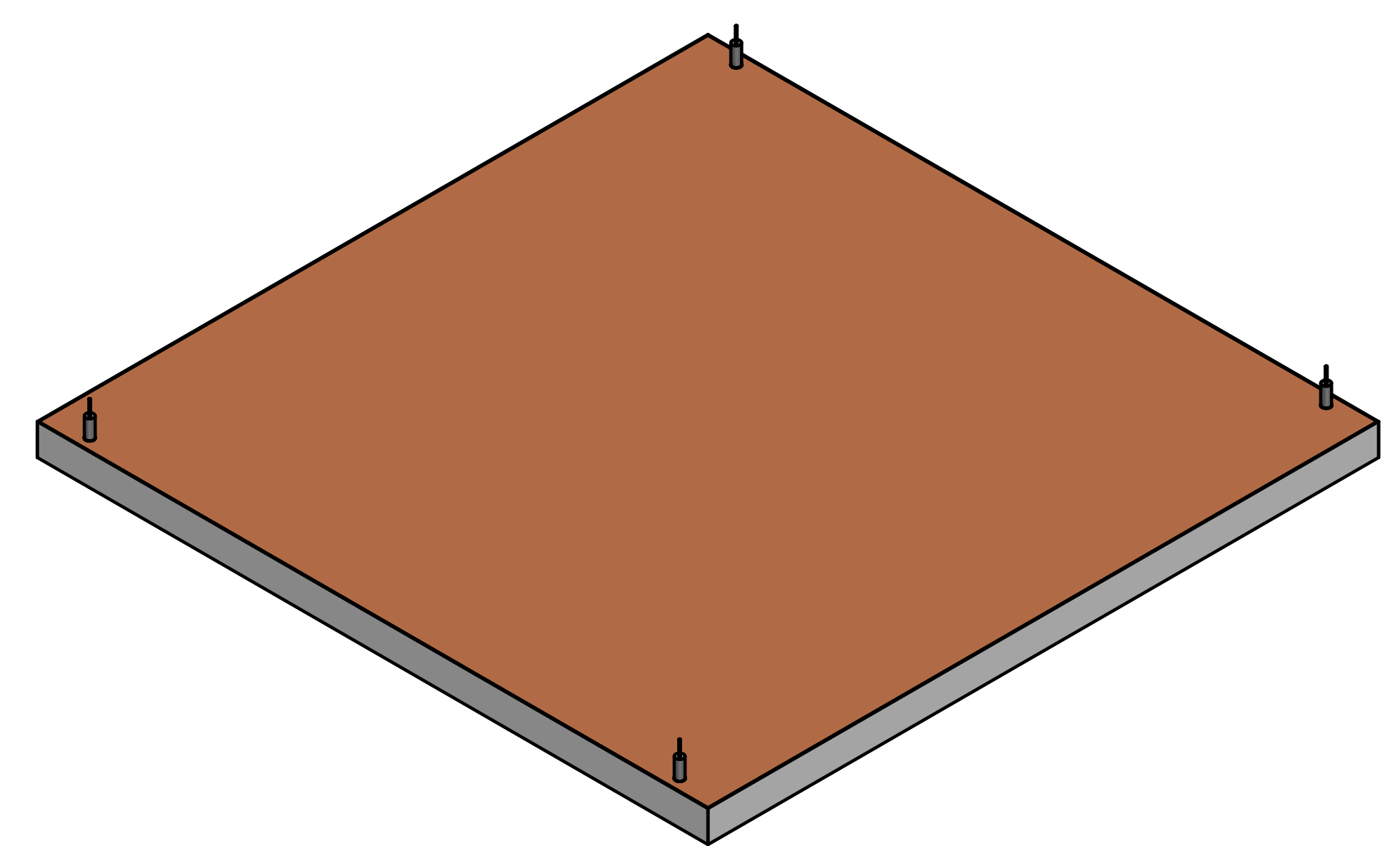
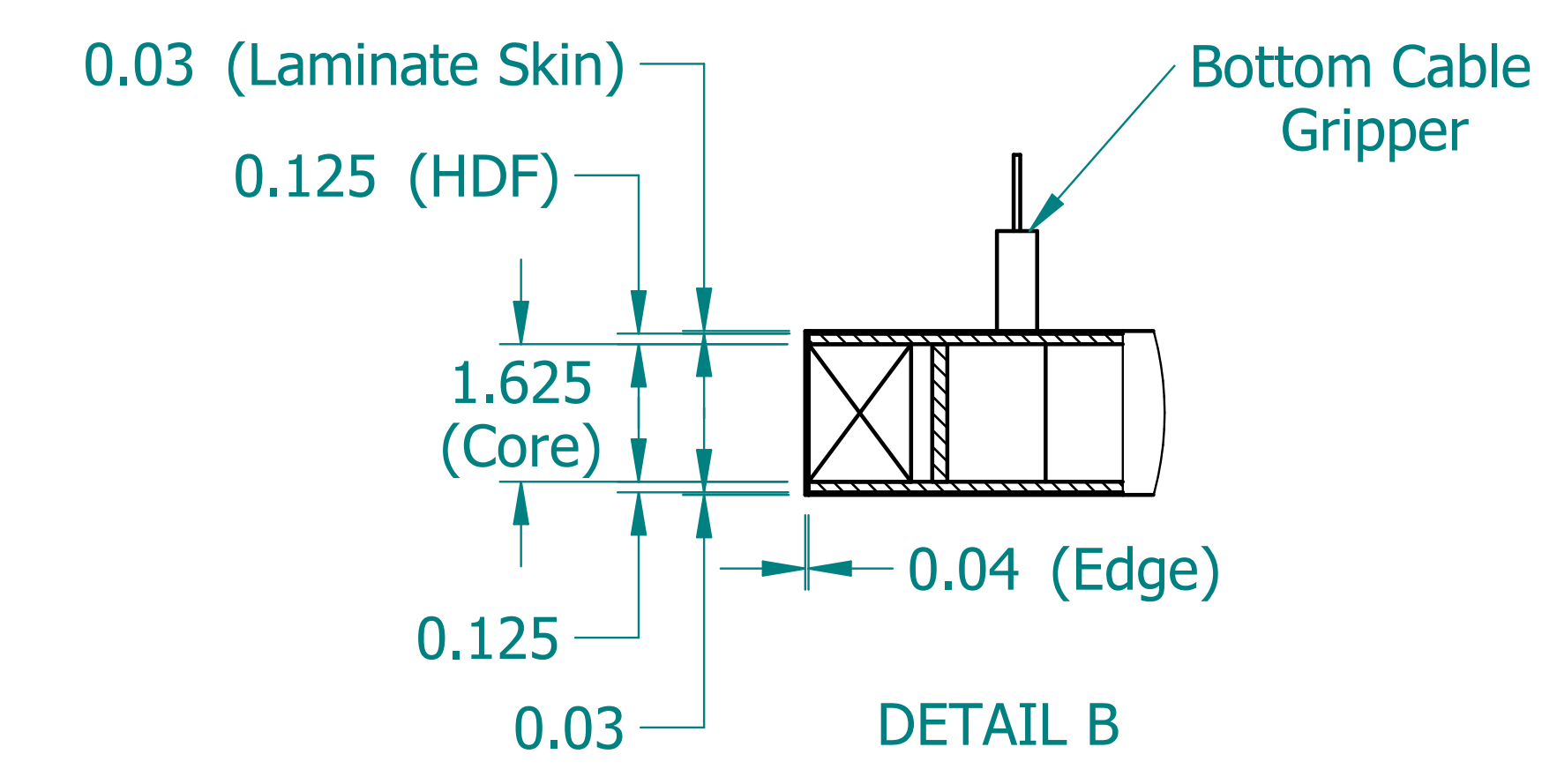
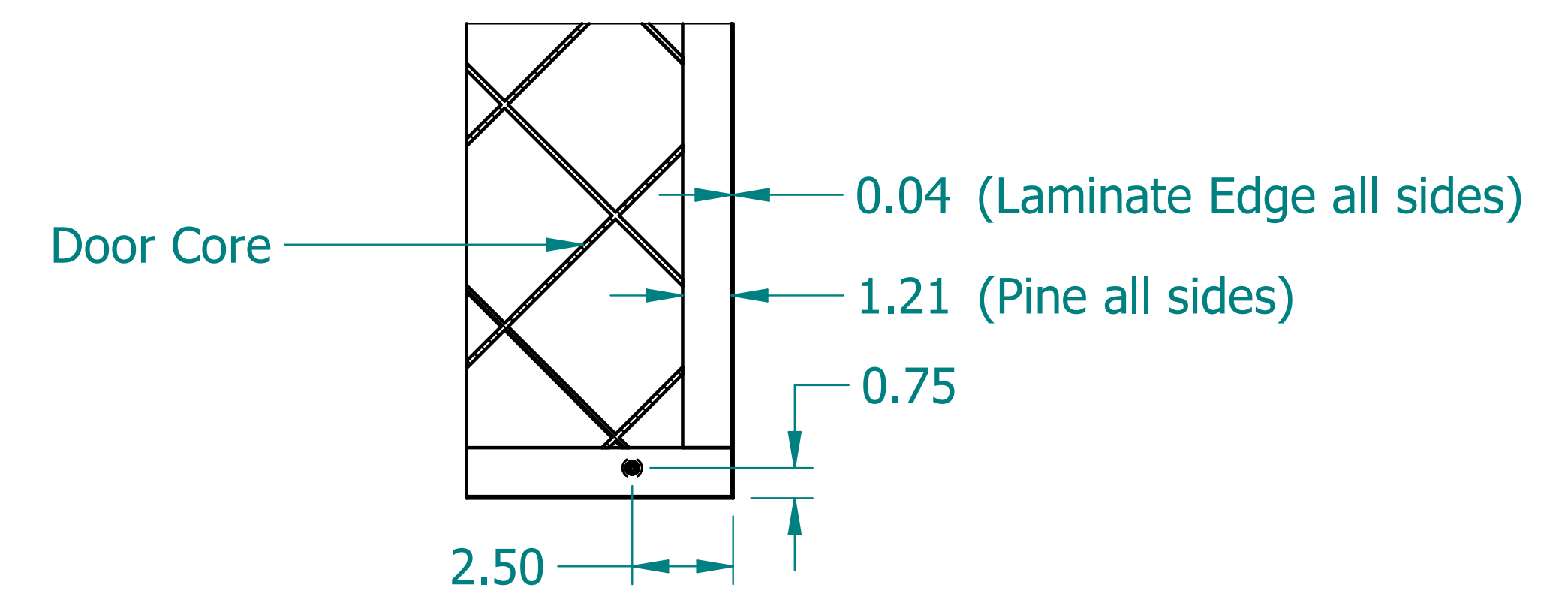


REVISION HISTORY			
REV.	DESCRIPTION	DATE	APPROVED



SECTION A-A



NAME	DATE	
DRAWN: SAI	03/03/20	
ENG APPR: ERIC	03/03/20	
<p>UNLESS OTHERWISE SPECIFIED DIMENSIONS ARE IN 'INCHES'          ANGLES ±0.8° ; 2 PL ±0.040 ; 3 PL ±0.020</p>		TITLE: Laminate Shape: Square SUBTITLE: 42"x42"x2" PART NO: Shape-1-04-XX SIZE: 34"x22"    SCALE: 0.17    SHEET 1 OF 1 FILE NAME: Laminated Square (42.42.2).dft