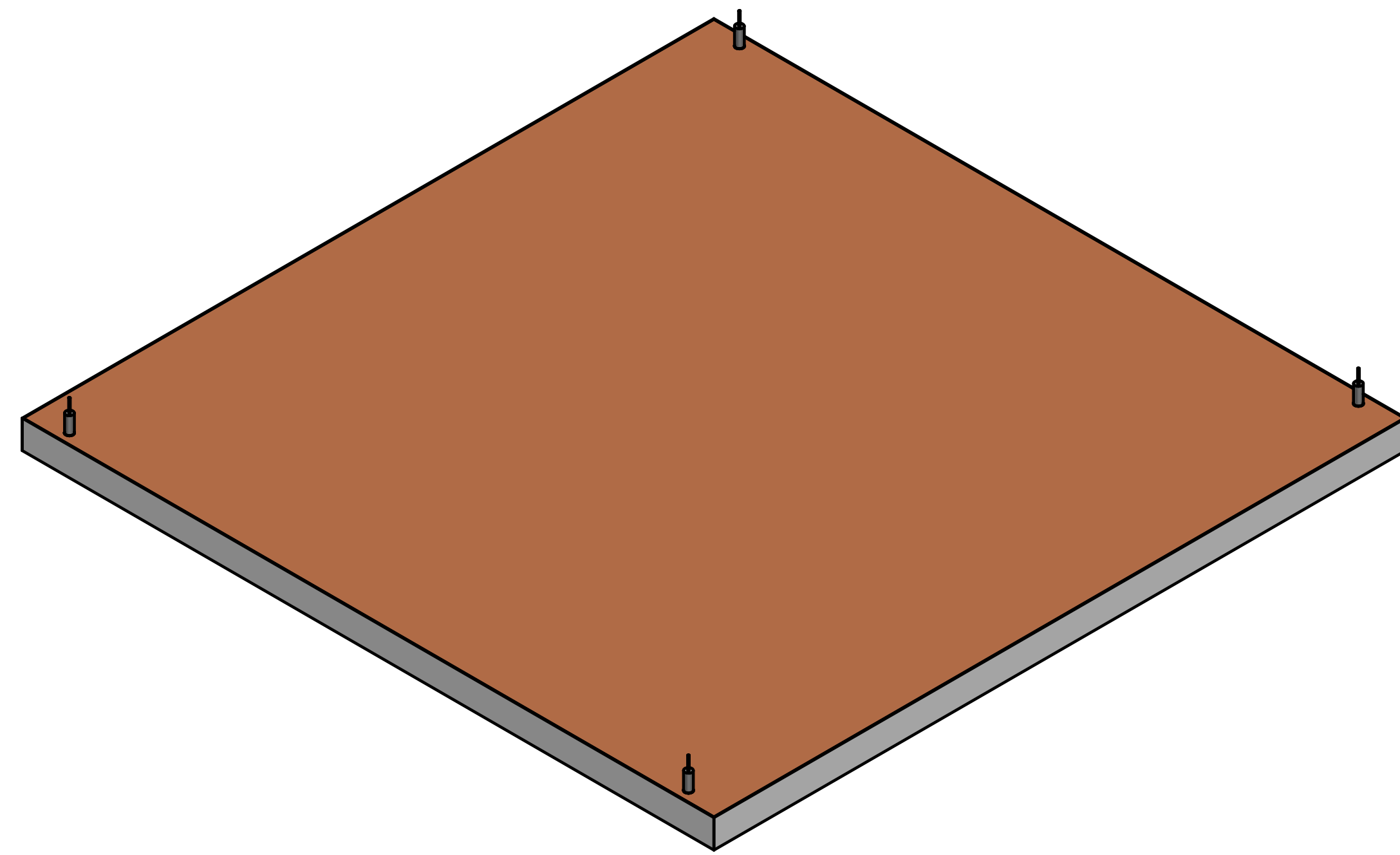
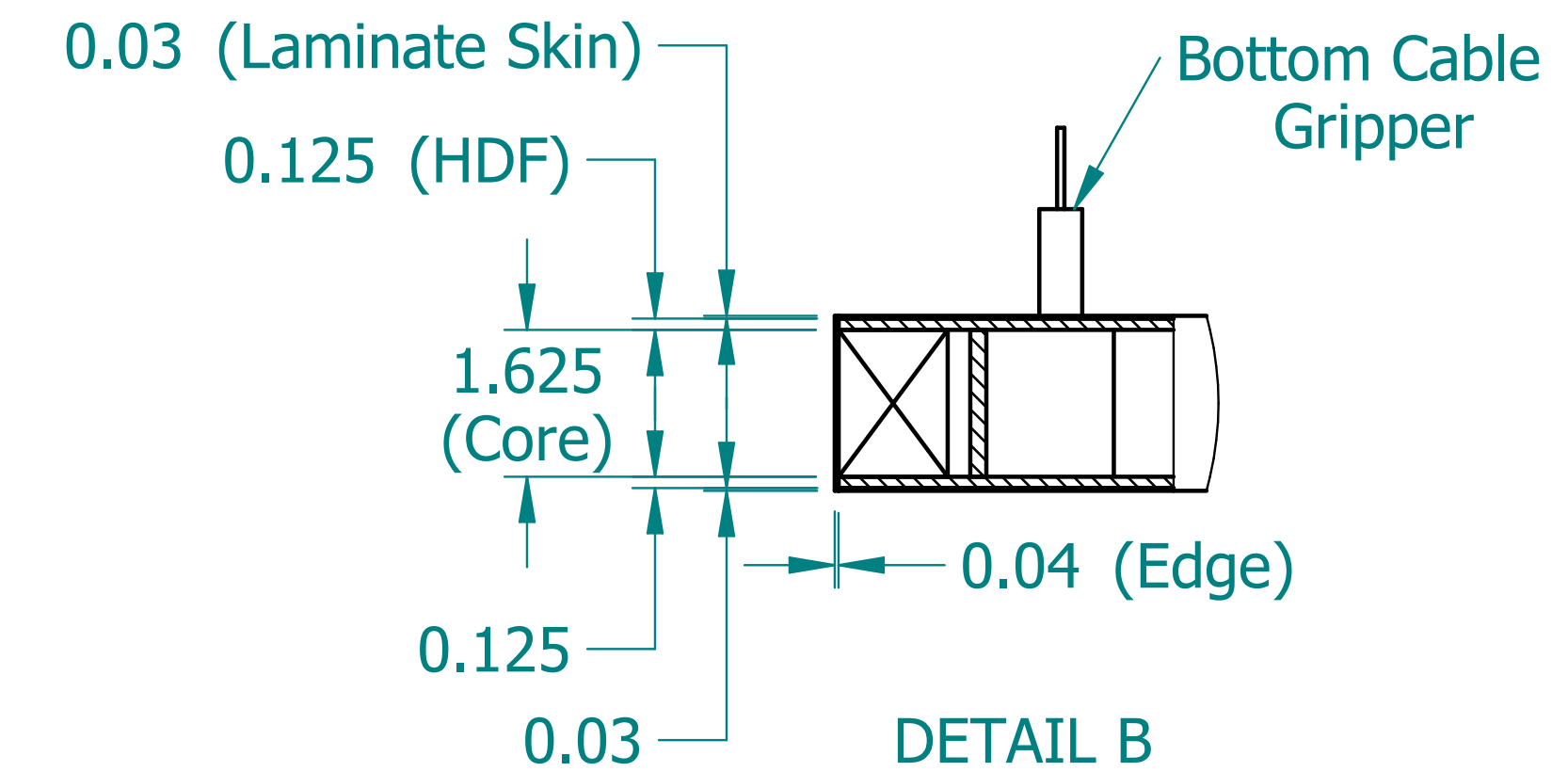
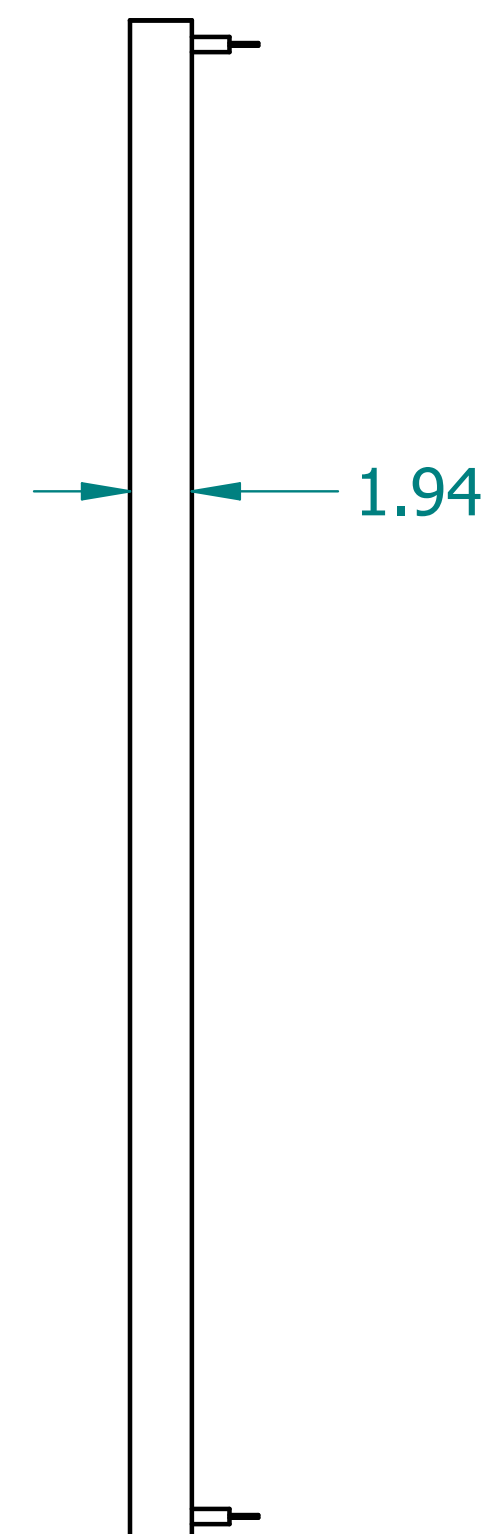
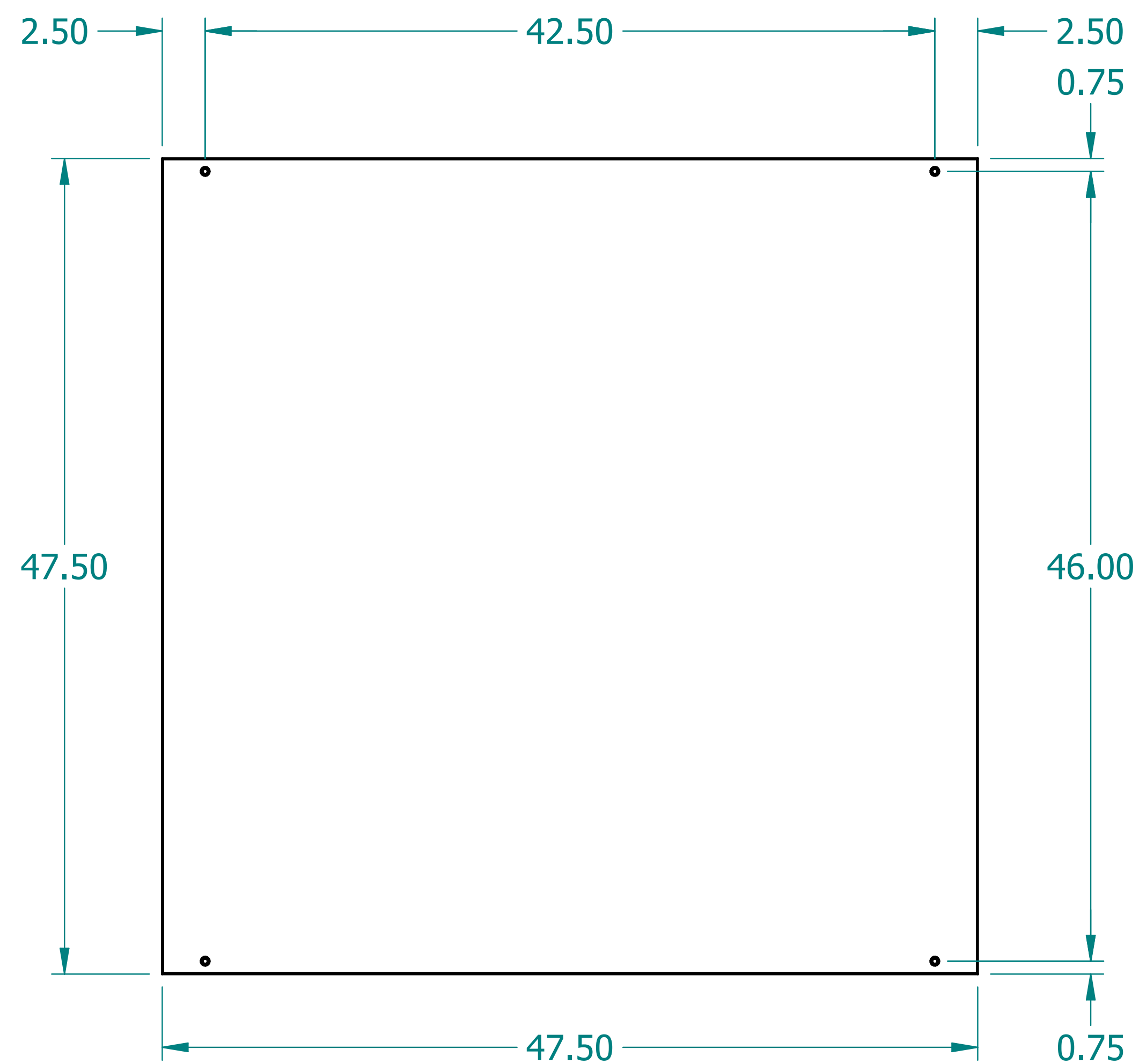
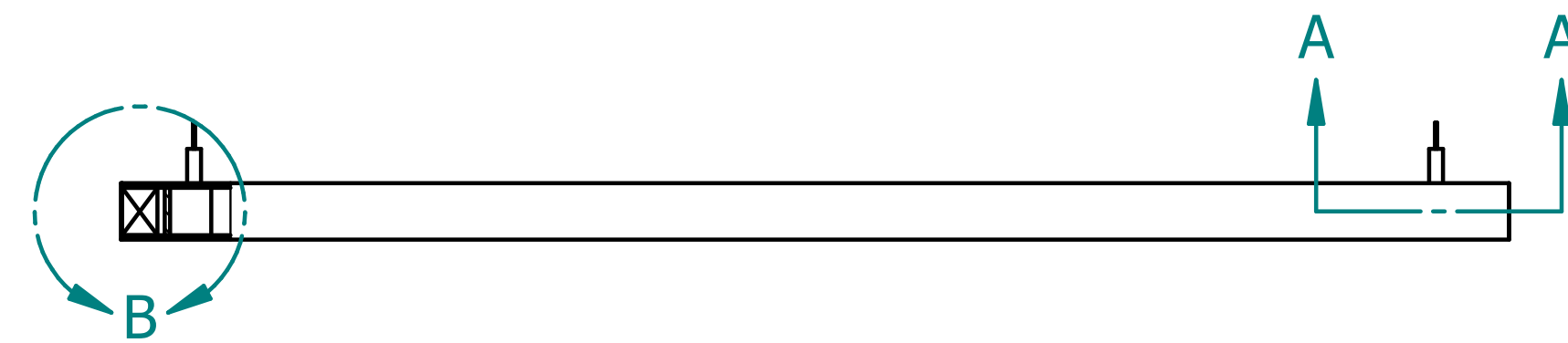
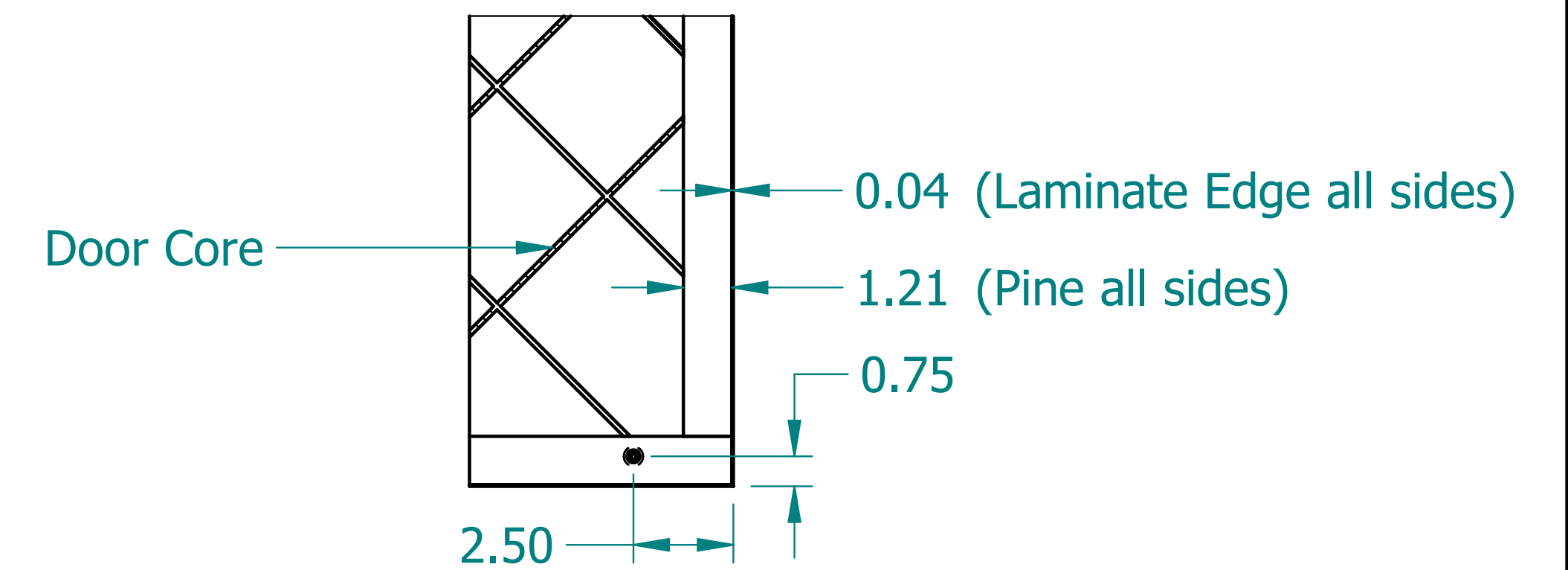


REVISION HISTORY

REV.	DESCRIPTION	DATE	APPROVED



SECTION A-A



NAME	DATE	ALTISPACE		
DRAWN: SAI	03/03/20			
ENG APPR: ERIC	03/03/20			
 UNLESS OTHERWISE SPECIFIED DIMENSIONS ARE IN 'INCHES' ANGLES ±0.8° ; 2 PL ±0.040 ; 3 PL ±0.020		TITLE: Laminate Shape: Square		
		SUBTITLE: 48"x48"x2"		
		PART NO: Shape-1-05-XX	REV: 1.0	
		SIZE: 34"x22"	SCALE: 0.17	SHEET 1 OF 1
		FILE NAME: Laminated Square (48.48.2).dft		