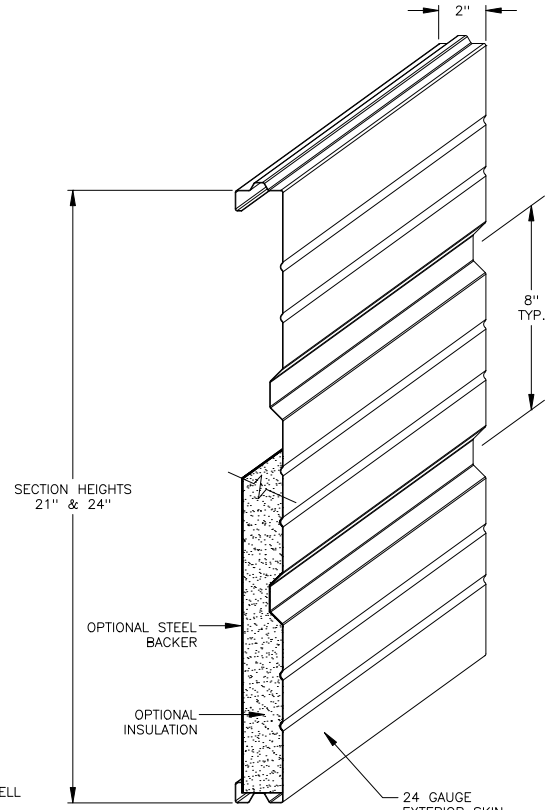
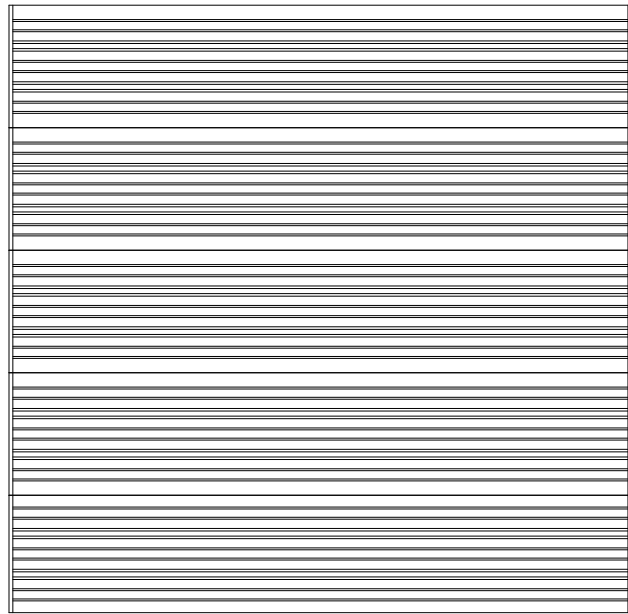


INTERIOR ELEVATION

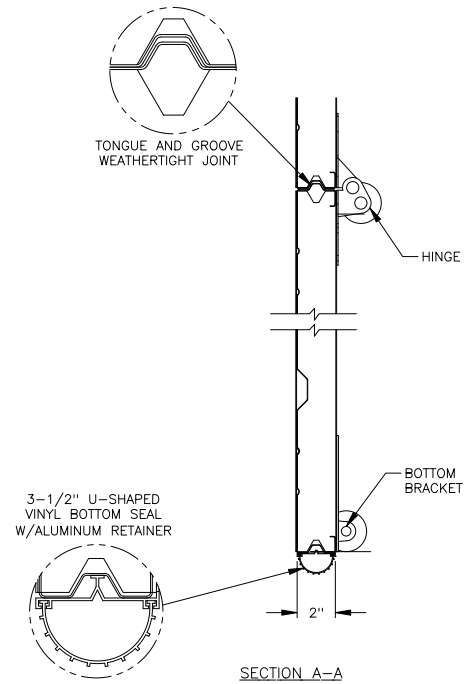
INSULATION TYPE: HAIRCELL
CFC-FREE
EXPANDED POLYSTYRENE
R= 5.65/U= 0.18
(ALSO AVAILABLE WITH
25ga STEEL BACKER)



ISOMETRIC PROFILE



EXTERIOR ELEVATION



SECTION A-A