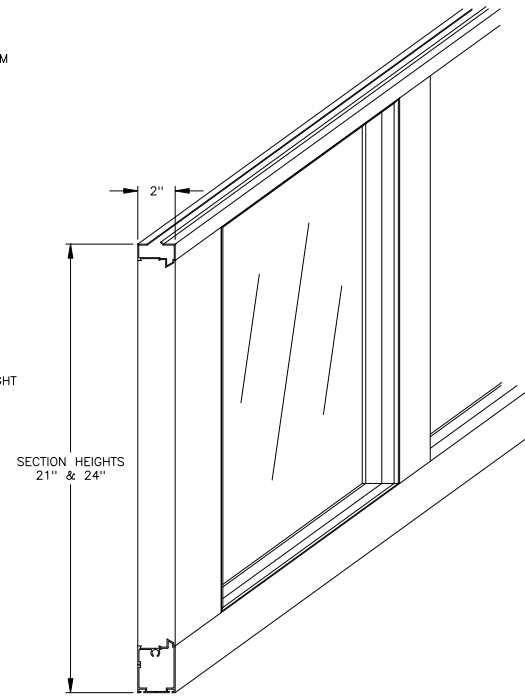
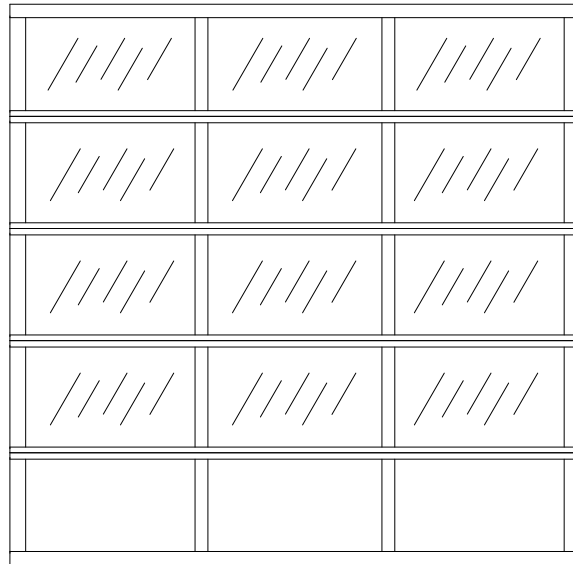


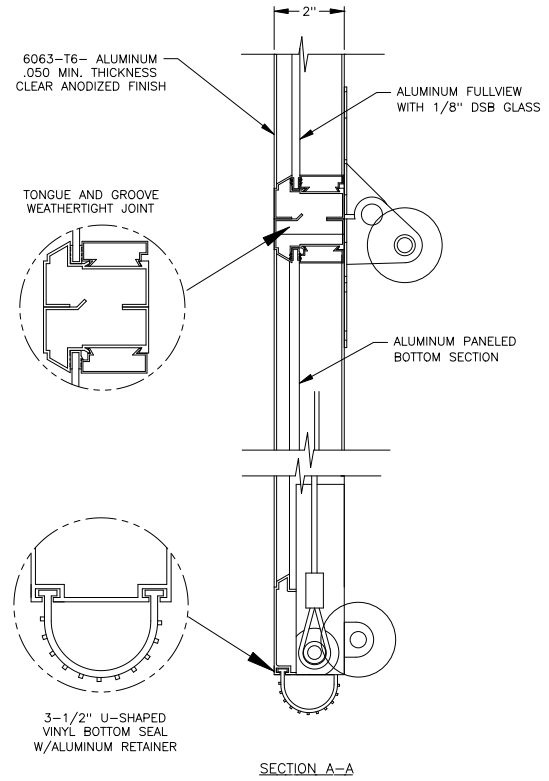
INTERIOR ELEVATION



ISOMETRIC PROFILE



EXTERIOR ELEVATION



SECTION A-A