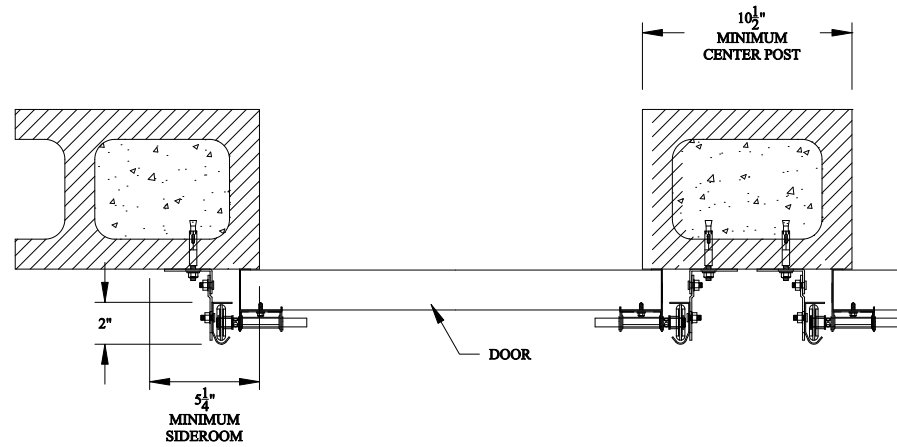
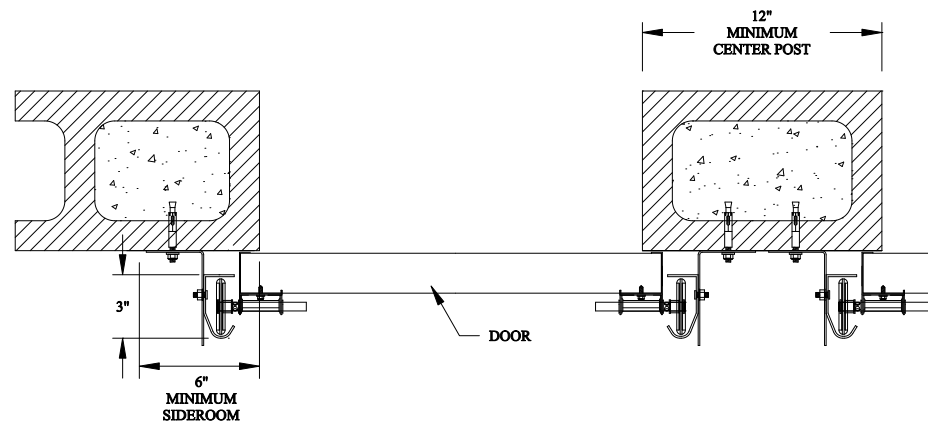


**COMMERCIAL BRACKET MOUNT  
TO CONCRETE/MASONRY JAMB DETAIL**



**COMMERCIAL CONTINUOUS ANGLE MOUNT  
TO CONCRETE/MASONRY JAMB DETAIL**



**COMMERCIAL TAPERED REVERSE ANGLE MOUNT  
(LEG OUT) TO CONCRETE/MASONRY JAMB DETAIL**