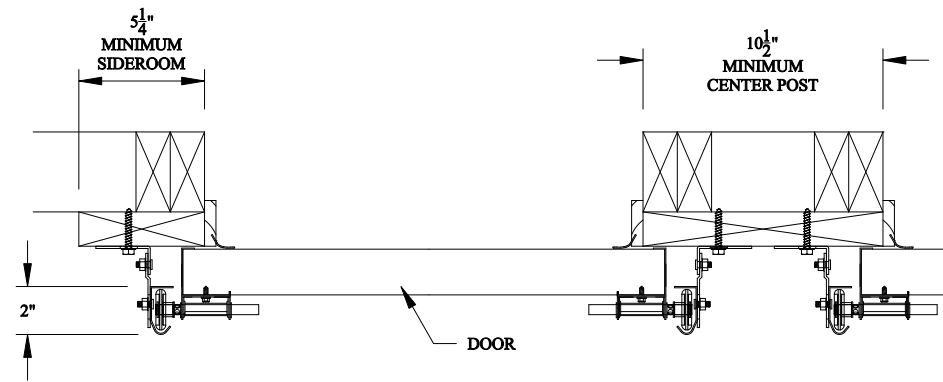
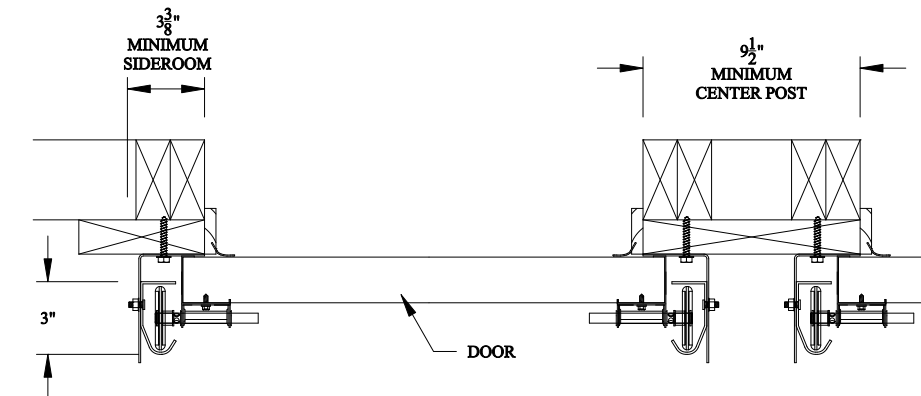


**COMMERCIAL BRACKET MOUNT  
TO WOOD JAMB DETAIL**



**COMMERCIAL CONTINUOUS ANGLE MOUNT  
TO WOOD JAMB DETAIL**



**COMMERCIAL TAPERED REVERSE ANGLE MOUNT  
TO WOOD JAMB DETAIL**