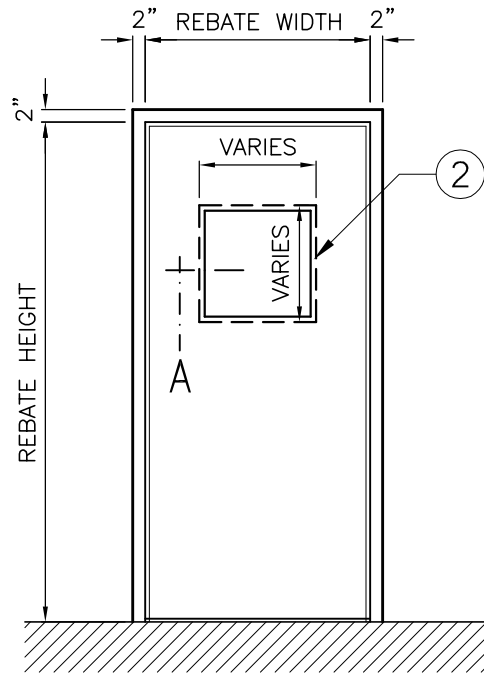


**LEGEND:**

1. ARMOUR SHIELD LEVEL 1.
2. ARMOUR SHIELD 21/32" MAXIMUM THICK GLASS LEVEL 1, FACTORY INSTALLED.

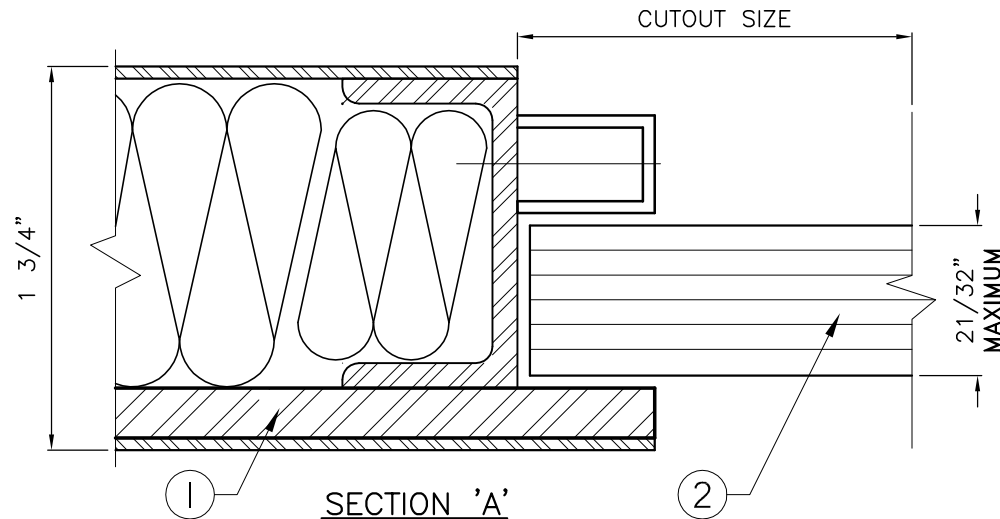
**NOTE:**

IF GLASS IS SUPPLIED BY OTHERS FOR SITE INSTALLATION, CUSTOMER MUST ENSURE THAT THE GLASS HAS BEEN TESTED AND IS CERTIFIED UNDER UL 752.



**ELEVATION**

**NOTE:** – THE SIZES SHOWN IN THE ELEVATION REFER TO THE DOOR CUTOUT SIZE.



**SECTION 'A'**

**NOTE:**

FRAME MUST BE INSTALLED AT FINISHED FLOOR HEIGHT. (DO NOT EMBED IN FLOOR)

**OUR STOCK OPTIONS**

STOCK DOORS ARE AVAILABLE AT 3'-0" x 7'-0" WITH A 12 3/8"x12 3/8" CUTOUT TO RECEIVE 12"x12" BULLET RESISTANT GLASS TO UL 752 LEVEL 1. THE GLASS WILL BE FACTORY INSTALLED.



## TYPICAL BULLET RESISTANT VISION LITE TO UL752 LEVEL 1

JOB NO:

SHEET: 1

OF: 1