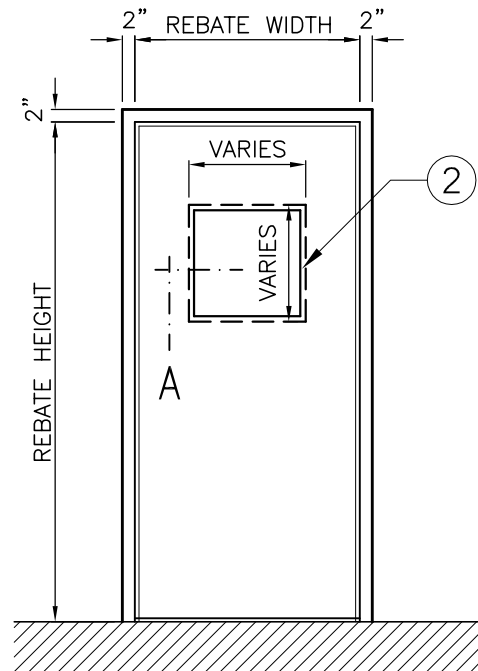


**LEGEND:**

1. ARMOUR SHIELD LEVEL 2.
2. ARMOUR SHIELD 15/16" MAXIMUM THICK GLASS LEVEL 2, FACTORY INSTALLED.

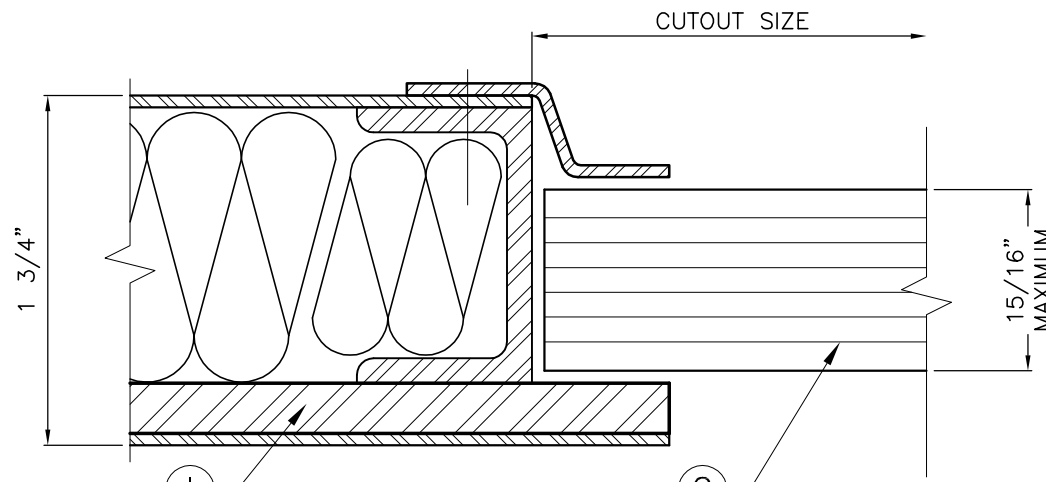
**NOTE:**

IF GLASS IS SUPPLIED BY OTHERS FOR SITE INSTALLATION, CUSTOMER MUST ENSURE THAT THE GLASS HAS BEEN TESTED AND IS CERTIFIED UNDER UL 752.



**ELEVATION**

**NOTE:** – THE SIZES SHOWN IN THE ELEVATION REFER TO THE DOOR CUTOUT SIZE.



**SECTION 'A'**

**NOTE:**  
FRAME MUST BE INSTALLED AT FINISHED FLOOR HEIGHT.  
(DO NOT EMBED IN FLOOR)

**OUR STOCK OPTIONS**  
STOCK DOORS ARE AVAILABLE AT  
3'-0" x 7'-0" WITH A 12 3/8"x12  
3/8" CUTOUT TO RECEIVE 12"x12"  
BULLET RESISTANT GLASS TO UL 752  
LEVEL 2. THE GLASS WILL BE  
FACTORY INSTALLED.