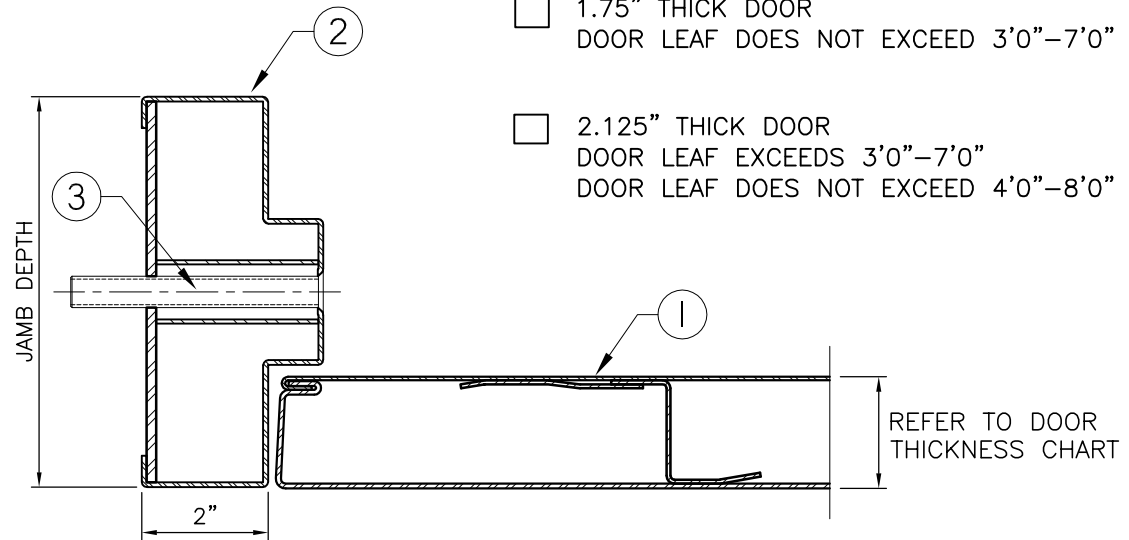


ELEVATION

DOOR THICKNESS CHART:

- 1.75" THICK DOOR
DOOR LEAF DOES NOT EXCEED 3'0"-7'0"
- 2.125" THICK DOOR
DOOR LEAF EXCEEDS 3'0"-7'0"
DOOR LEAF DOES NOT EXCEED 4'0"-8'0"



SECTION A-A

REFER TO DOOR THICKNESS CHART

LEGEND:

1. REINFORCED TORNADO RESISTANT STEEL DOOR.
2. TORNADO RESISTANT STEEL FRAME.
3. HEAVY DUTY TUBE & SCREW WALL.

NOTES:

- A. SUPER HEAVY HINGES SHIPPED LOOSE.
- B. MULTI-POINT LOCK OR EXIT DEVICE.
- C. FIRE RATINGS AVAILABLE UP TO THREE HOURS ON 2.125" THICK DOORS ONLY.