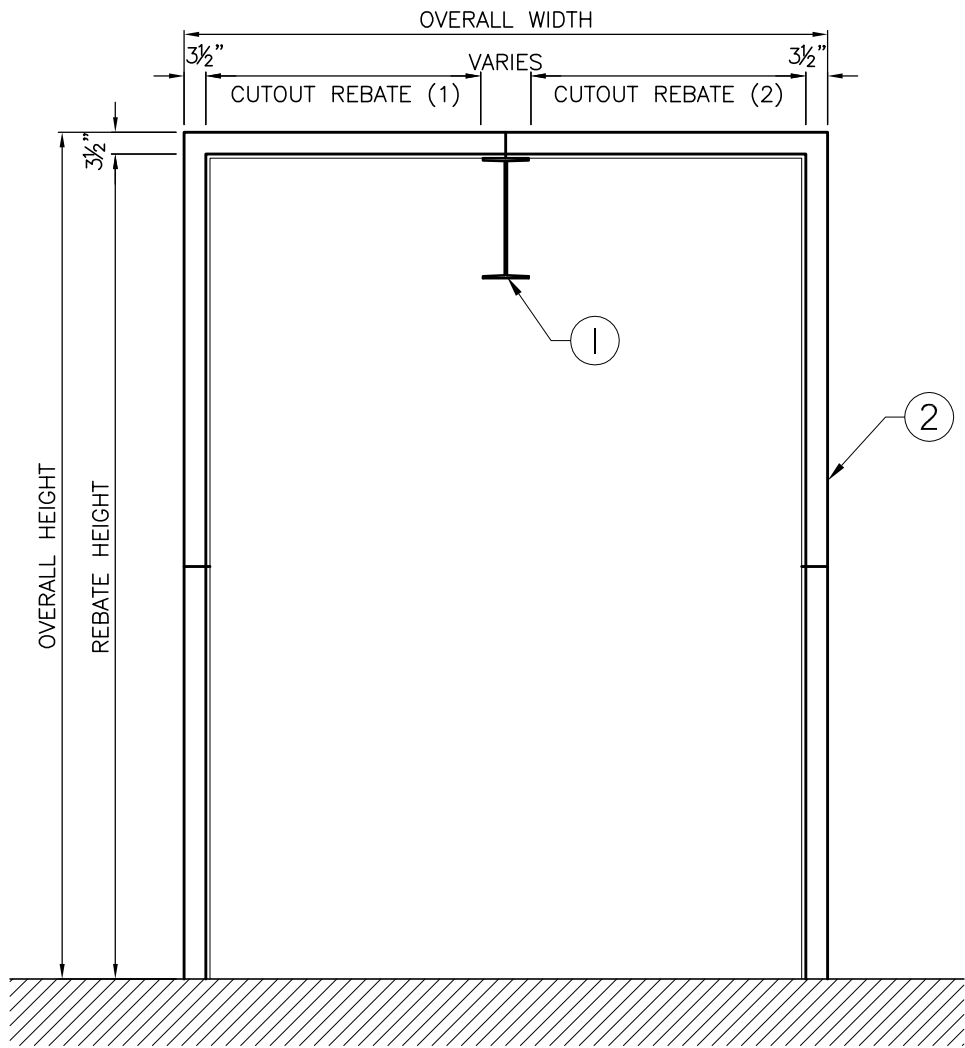
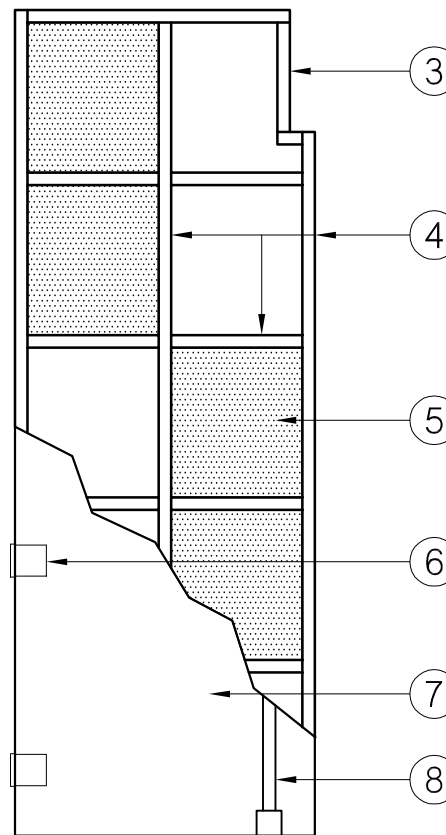


LEGEND:

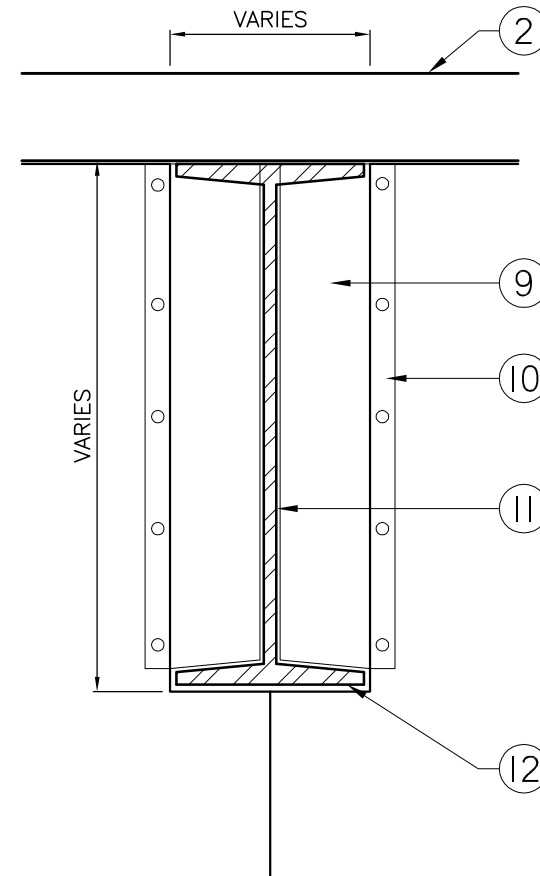
1. EXISTING STRUCTURAL I BEAM. NEW FRAME TO BUTT INTO THE BEAM.
2. 14GA. STEEL FRAME WITH JOINT CONNECTIONS AT CENTRE OF HEAD AND HINGE JAMBS FOR SITE WELDING BY OTHERS.
3. MONORAIL CUTOUT IN DOORS. FACTORY INSTALL RUBBER WATER GUARD.
4. 2" STRUCTURALLY REINFORCING DOOR CORE.
5. FILL ALL VOIDS BETWEEN CHANNEL REINFORCING WITH BATT INSULATION.
6. FULL SURFACE STRAP HINGES H-412 SUPPLIED LOOSE BY AMBICO FOR SITE INSTALLATION.
7. 16GA. DOOR SKINS TO BE WELDED TO STRUCTURAL DOOR CORE, SEAMLESS EDGES.
8. TOP SPRING BOLT 514x3 & BOTTOM CANE BOLT 524x3 SUPPLIED LOOSE BY AMBICO FOR SITE INSTALLATION.
9. RUBBER WEATHER GUARD.
10. FASTENER STRIP.
11. STEEL 'I' BEAM.
12. DOOR MONORAIL CUTOUT.



FRAME ELEVATION



DOOR ELEVATION



MONORAIL DETAIL