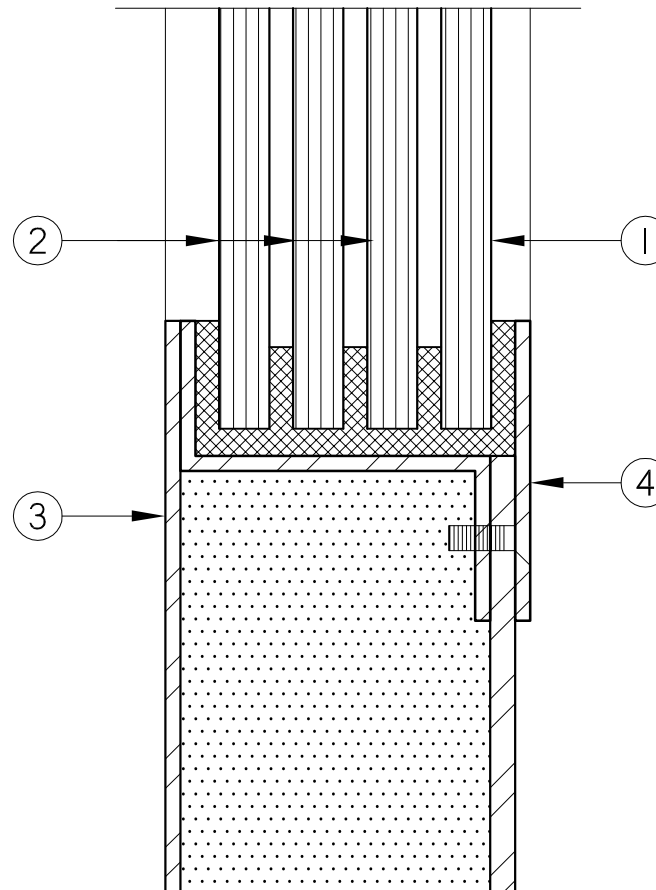


ELEVATIONS

ALL DIMENSIONS SHOWN REFER TO DOOR CUTOUT SIZES

LEGEND:

1. CLEAR ACOUSTIC OR GEORGIAN WIRE GLASS.  
(PLEASE SPECIFY) WIRED GLASS WILL BE USED AUTOMATICALLY IF THE OPENING IS FIRE RATED.
2. 3 LAYERS OF CLEAR ACOUSTIC GLASS.
3. FIXED STOP ON THE SECURE SIDE (LOCK CYLINDER SIDE) OF THE DOOR.
4. REMOVABLE STOP.



SECTION 'A'

NOTE:

1. ALL GLASS TO BE FACTORY INSTALLED BY AMBICO. MAXIMUM GLASS SIZE NOT TO EXCEED 300 SQUARE INCHES. STOCK GLASS SIZES ARE 5"X20" OR 17"X17".