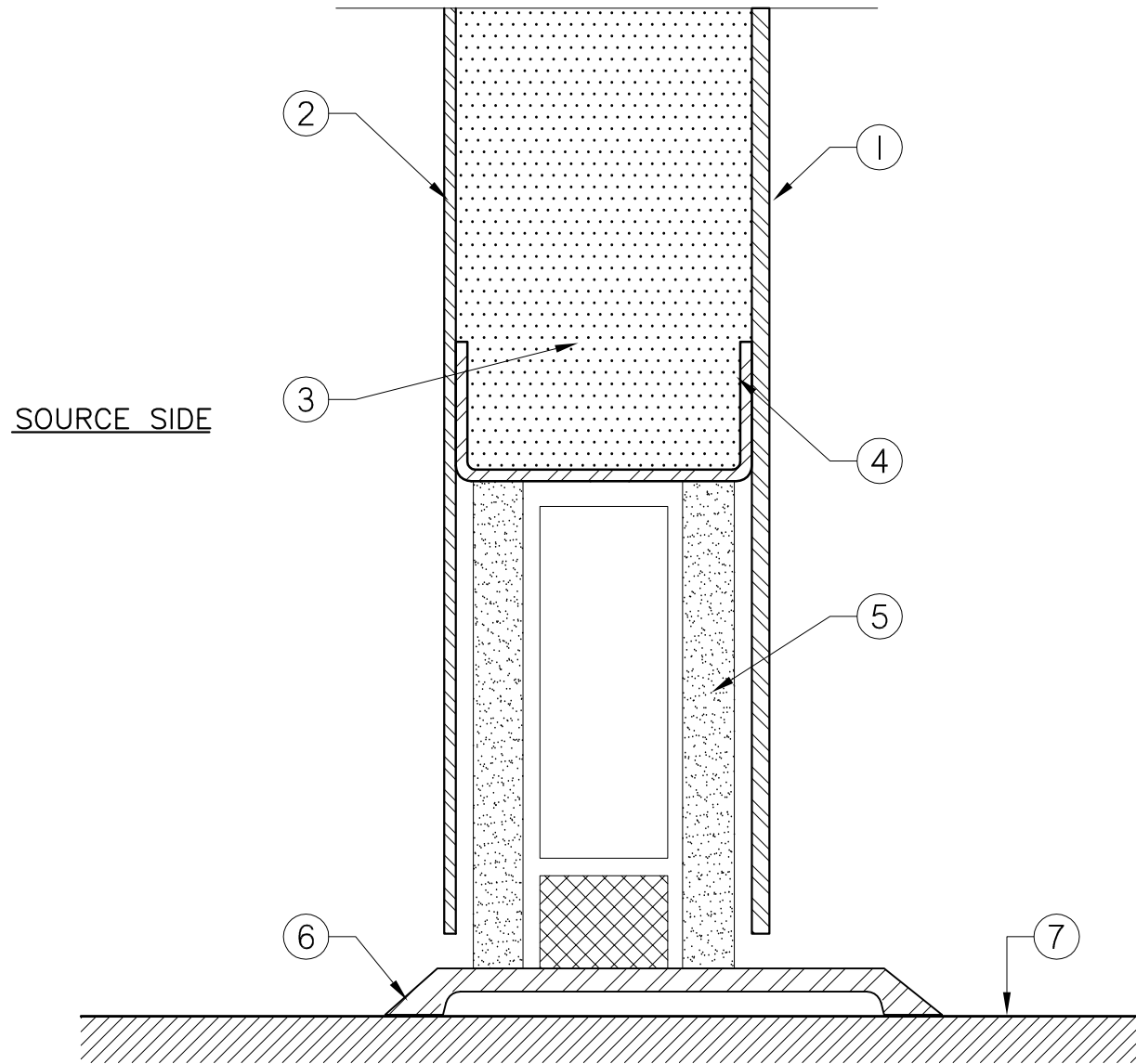


LEGEND:

1. STEEL BACK PANEL.
2. STEEL FRONT PANEL.
3. ALL VOIDS FILLED WITH SOUND DEADENER.
4. BOTTOM CHANNEL.
5. ACOUSTIC MORTISED DROP DOOR BOTTOM.
6. 1/4" HIGH FLAT ACOUSTIC THRESHOLD.
7. FINISHED FLOOR.



STOCK ACOUSTIC DOORS FOR SINGLE OR PAIRED OPENINGS. AVAILABLE IN STC-33 THROUGH STC 51. STOCK DOOR SIZE IS 3'-0"x7'-0"x1-3/4". DOOR IS TEMPLATED FOR 4.5"x.180" MORTISED HINGES, AND REINFORCED FOR SURFACE CLOSER AND SURFACE BOLTS. AVAILABLE LOCK PREPARATIONS ARE CYLINDRICAL LOCK, MORTISE LOCK OR EXIT DEVICE. COMPLETE DOOR AND FRAME UNITS ARE SUPPLIED WITH ACOUSTIC PERIMETER SEALS, DOOR BOTTOMS, THRESHOLD & ASTRAGAL (ON ACTIVE DOOR OF PAIRS.) OPTIONS AVAILABLE: FIRE RATINGS UP TO 1 1/2 HOUR, AND SOME ADDITIONAL HARDWARE PREPARATIONS. (CONSULT FACTORY).

TYPICAL ACOUSTIC STEEL DOOR & DOOR BOTTOM FROM STC 47 TO STC 51

JOB NO:

SHEET: 1

OF: 1