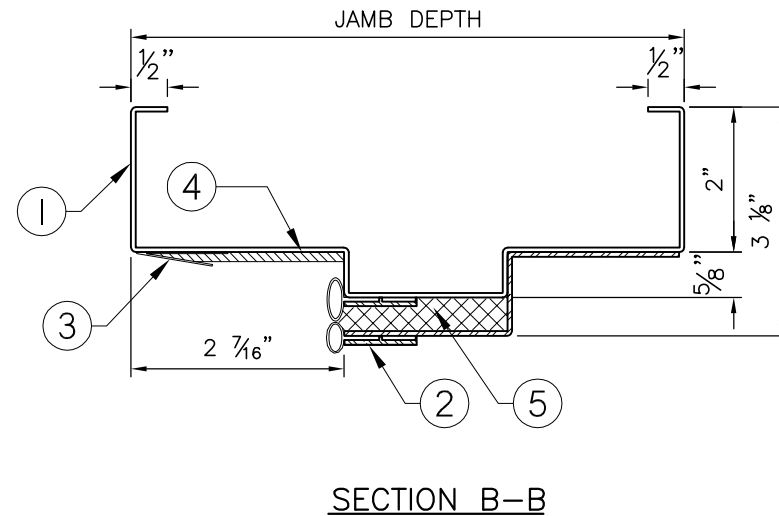
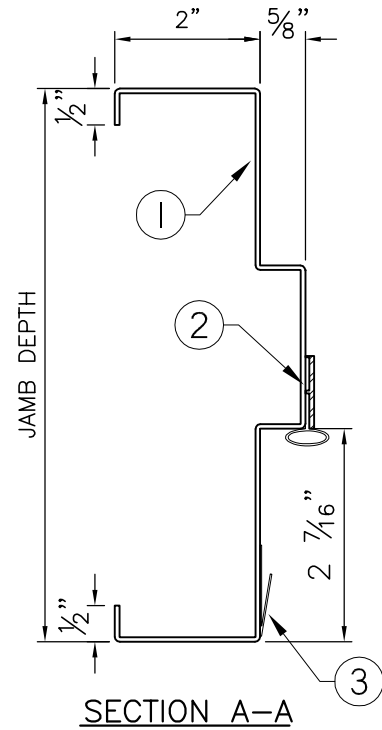
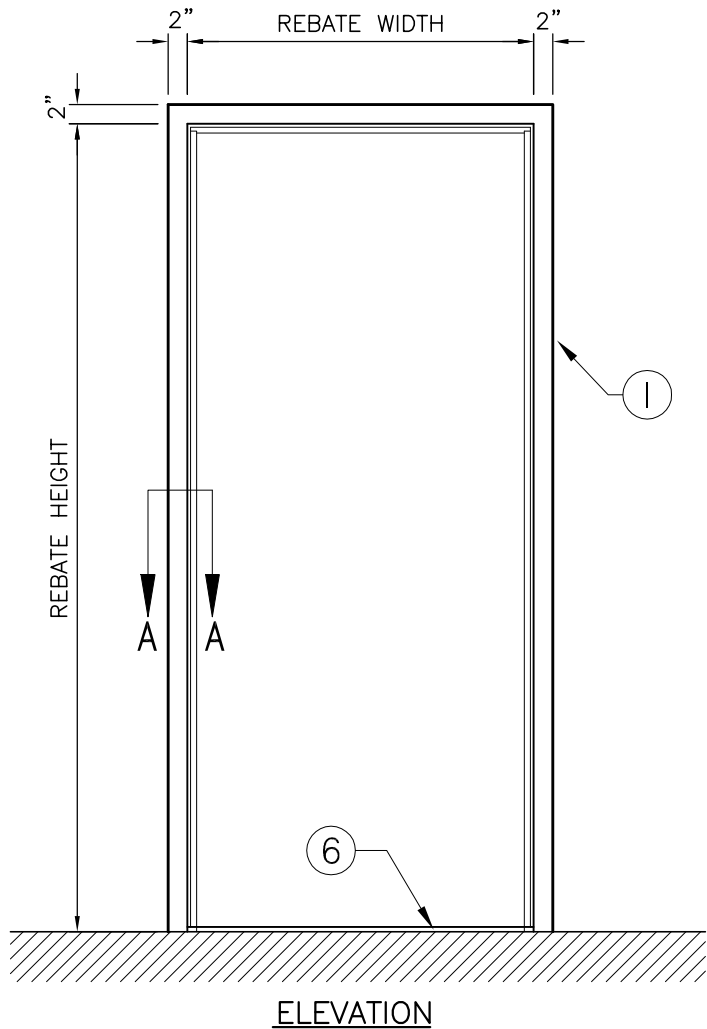


**LEGEND :**

1. PRESSED STEEL ACOUSTIC FRAME.
2. ACOUSTIC PERIMETER SEALS TO BE FITTED AND FASTENED TO JAMBS AND HEAD AT SIDE. SINGLE SEAL ONLY REQUIRED ON JAMBS, DOUBLE SEAL IS REQUIRED AT HEAD.
3. SECONDARY ACOUSTIC SEAL TO BE FITTED AND FASTENED TO JAMBS AND HEAD BY INSTALLER ON SITE.
4. ACOUSTIC NEOPRENE AT HEADER ONLY. (SHIPPED LOOSE)
5. ACOUSTIC ABSORPTION CHAMBER.
6. 1/4" HIGH FLAT ACOUSTIC THRESHOLD 5" WIDTH, TO BE INSTALLED ON FINISHED FLOOR.

STOCK ACOUSTIC FRAMES FOR SINGLE OPENINGS. AVAILABLE IN STC-33 THROUGH STC 50. STOCK FRAME SIZE IS 6'-0"x7'-0" TO FIT 1-3/4" DOOR, WITH A JAMB DEPTH OF 5-7/8" OR 7-1/8" ONLY. FRAME IS TEMPLATED FOR 4.5"x.180" MORTISED HINGES, AND REINFORCED FOR SURFACE CLOSER AND SURFACE BOLTS. COMPLETE DOOR AND FRAME UNITS ARE SUPPLIED WITH ACOUSTIC PERIMETER SEALS, DOOR BOTTOMS, THRESHOLD & ASTRAGAL (ON ACTIVE) OPTIONS AVAILABLE: SOME ADDITIONAL HARDWARE PREPARATIONS.(CONSULT FACTORY)



**NOTE:**  
 FRAME MUST BE INSTALLED AT FINISHED FLOOR HEIGHT.  
 (DO NOT EMBED IN FLOOR)