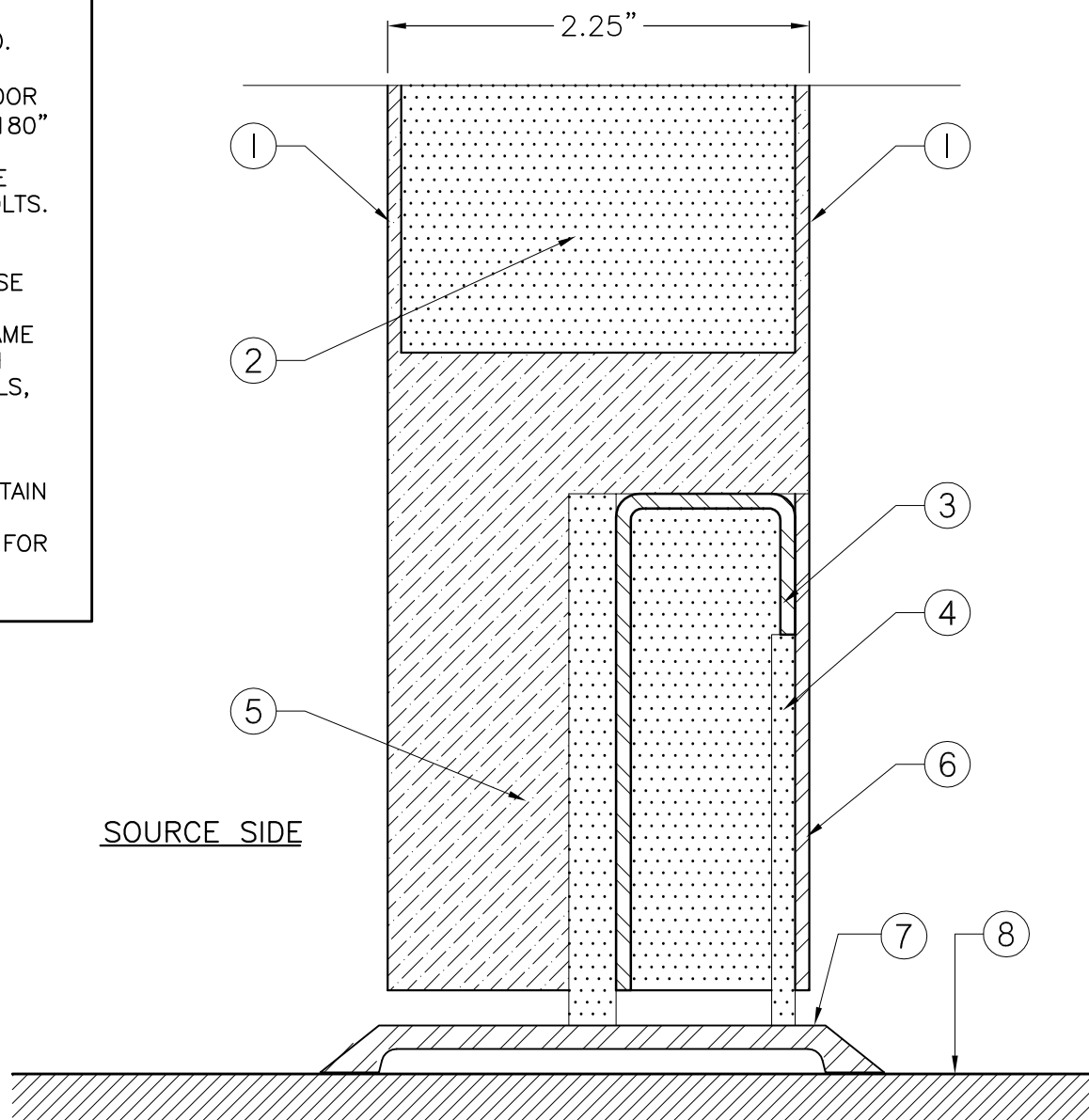


STOCK ACOUSTIC WOOD DOORS FOR SINGLE OPENINGS. AVAILABLE IN STC-33 THROUGH STC 50. STOCK DOOR SIZE IS 3'-0"x7'-0"x 1-3/4". DOOR IS TEMPLATED FOR 4.5"x.180" MORTISED HINGES, AND REINFORCED FOR SURFACE CLOSER AND SURFACE BOLTS. AVAILABLE LOCK PREPARATIONS ARE CYLINDRICAL LOCK, MORTISE LOCK OR EXIT DEVICE. COMPLETE DOOR AND FRAME UNITS ARE SUPPLIED WITH ACOUSTIC PERIMETER SEALS, DOOR BOTTOMS & THRESHOLD OPTIONS

PLAIN SLICED PAINT OR STAIN GRADE RED OAK & WHITE BIRCH VENEER AVAILABLE FOR STOCK WOOD DOORS.



LEGEND:

1. WOOD FACE VENEER (PUSH SIDE) FACE VENEER TO BE: _____
2. ACOUSTIC CORE.
3. STEEL CHANNEL.
4. ACOUSTIC SEMI MORTISED FIXED DOOR BOTTOM.
5. ALL EDGES TO BE SOLID HARDWOOD INCLUDING MATCHING EDGES AT STILES.
6. STEEL FACE PLATE.
7. 1/4" HIGH FLAT ACOUSTIC THRESHOLD.
8. FINISHED FLOOR.

GENERAL NOTES:

- ALL DOORS INCLUDE FACTORY PRE-MACHINING FOR HARDWARE
- ALL DOORS INCLUDE FACTORY SEALING AT EDGES.
- FACTORY PRE-FINISHING IS OPTIONAL SPECIFIED FACTORY FINISH TO BE: _____

NOTE:

WARNING FOR USE OF PLASTIC LAMINATE

PLASTIC LAMINATE DOORS ARE SENSITIVE TO HIGH MOISTURE ATMOSPHERE. DO NOT EXPOSE TO RELATIVE HUMIDITY ABOVE 40%.