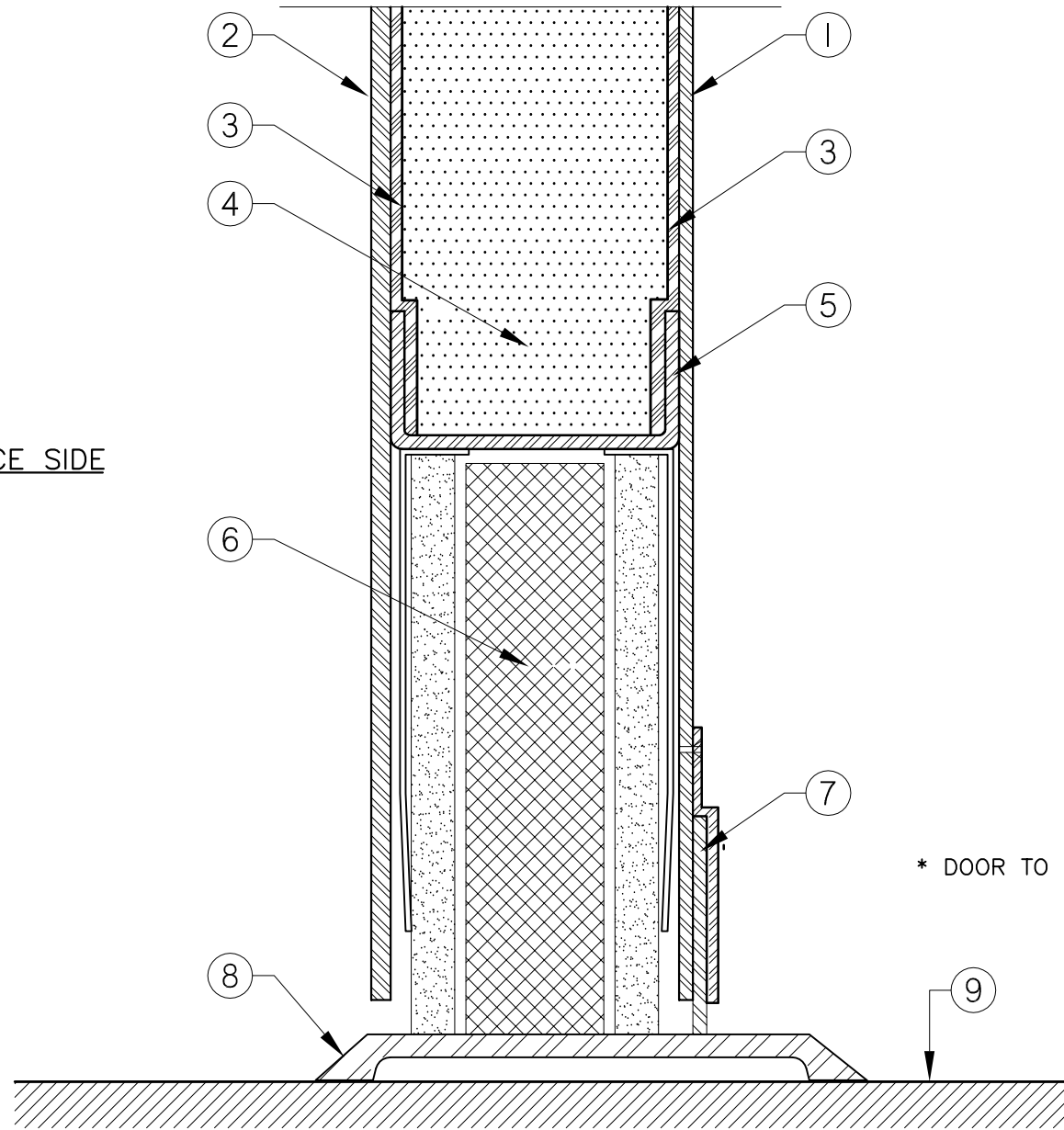


LEGEND:

1. STEEL BACK PANEL.
2. STEEL FRONT PANEL.
3. ACOUSTIC LINING.
4. ALL VOIDS FILLED WITH SOUND DEADENER.
5. BOTTOM CHANNEL.
6. ACOUSTIC MORTISED FIXED DOOR BOTTOM.
7. SECONDARY SURFACE ACOUSTIC SWEEP.
8. 1/4" HIGH FLAT ACOUSTIC THRESHOLD.
9. FINISHED FLOOR.

SOURCE SIDE



* DOOR TO BE PREPARED FOR CAM-LIFT HINGES

NOTE:

UNLESS SPECIFIED OTHERWISE, THE SOURCE SIDE IS ALWAYS THE PULL SIDE OF THE DOOR.